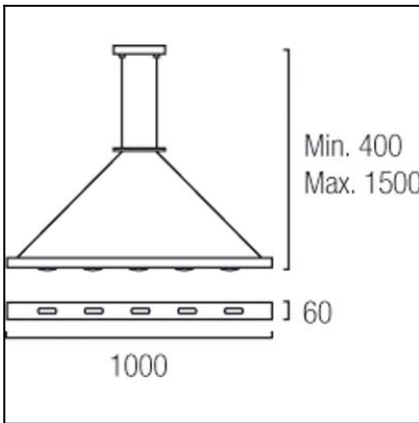


Design by Josep Patsí



The photograph may not match the reference exactly. Please read the product description to identify the finish.



[Download photometric file .ldt / .ies](#)

TECHNICAL CHARACTERISTICS

Type:	Pendant
IP Protection degrees:	IP20
Lampholder:	5 x G9
Power (W):	G9 MAX 75W
Bulb included:	5 x G9 60W
Total power consumption (W):	375
Voltage / Frequency:	220-240V/50-60Hz
Warranty (Years):	2
Units per box:	6
Net Weight (Kg):	1.6
EAN:	8435111033784,00



MATERIALS / FINISHES

Structure material: Aluminium

Diffuser material: Glass

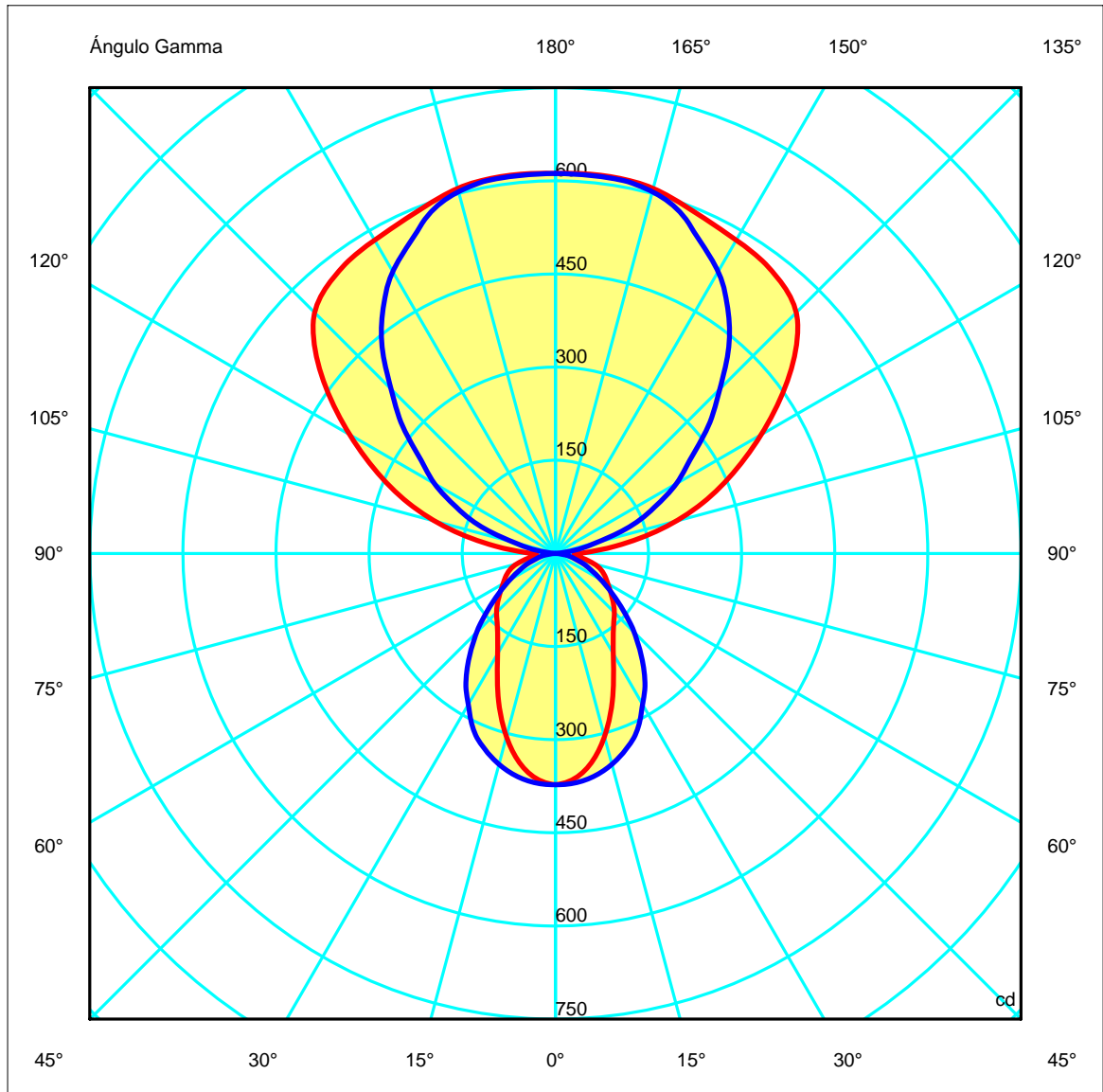
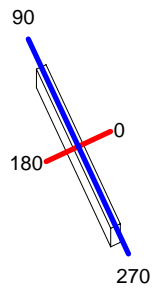
Structure finish: Chrome

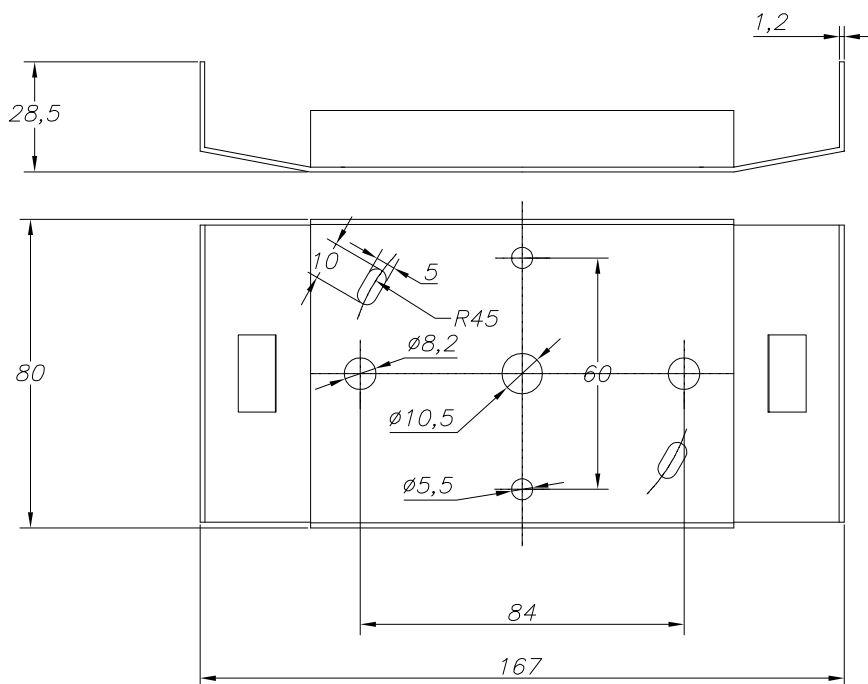
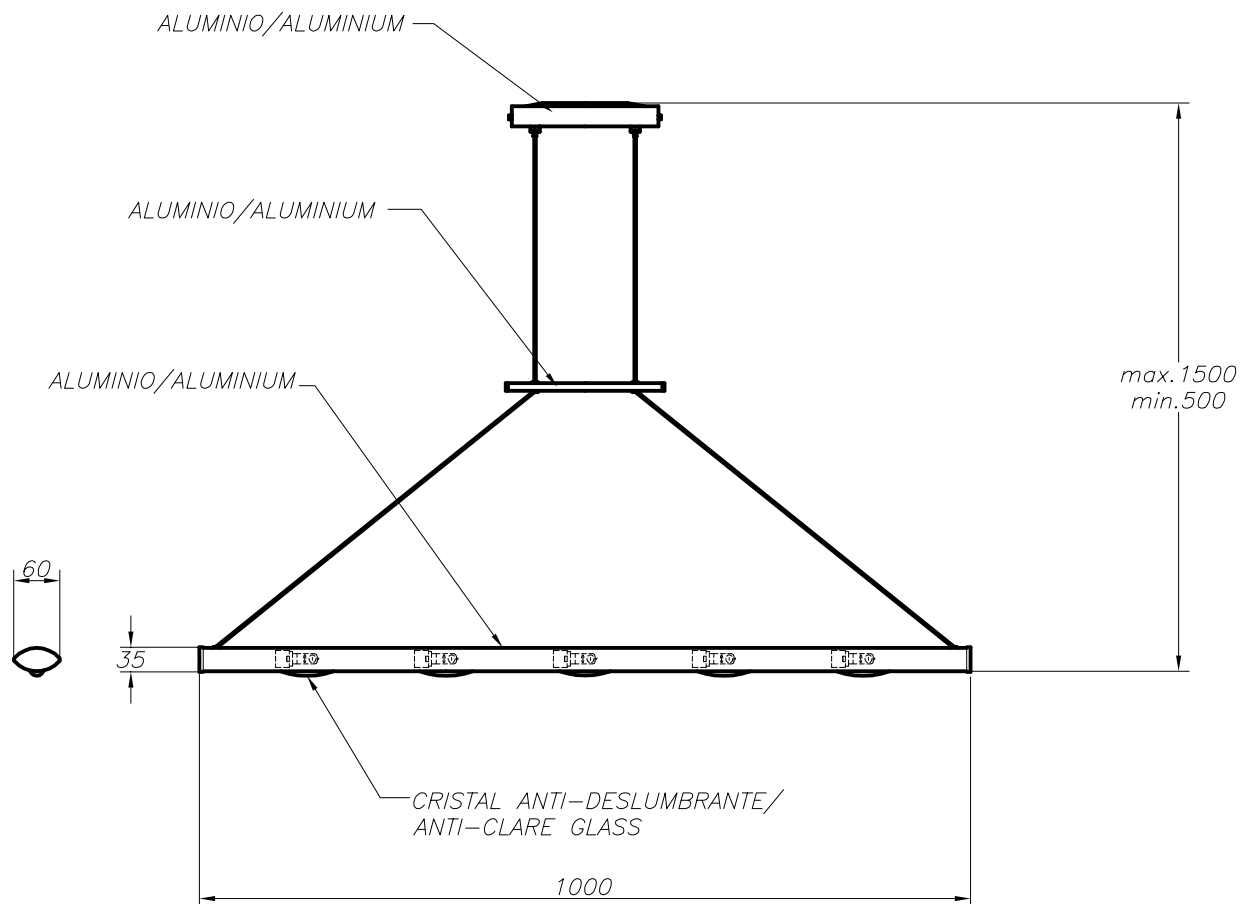
Diffuser finish: Tinted

Luminaria		Ensayo		Lámpara	
Código	00-0221-21-F1	Código	00-0221-21-F1	Código	66675AM
Nombre	Colgante ADAGIO 5x75W G9	Nombre	Colgante ADAGIO 5x75W G9	Número	5
Familia	- LEDS-C4	Fecha	07-04-2010	Posición	Universal
Eficiencia	52.61%	Sist. de Coordin.	C-G	Flujo Total	5250.00 lm
Valor Máximo	613.25 cd	Posición	C=0.00 G=175.00	Bisimétrico	

1000mm x 60mm

Semiplanos C



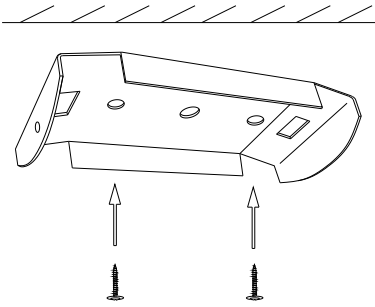




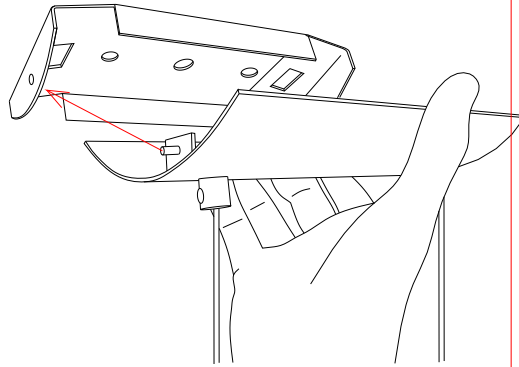
GROK

00-0221

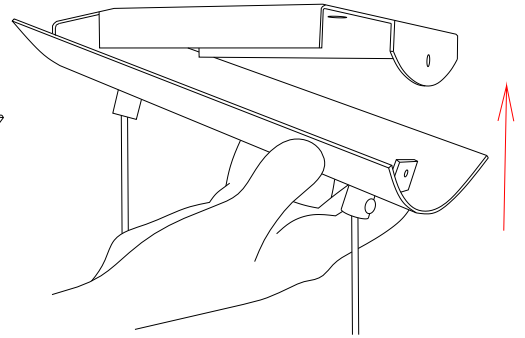
1



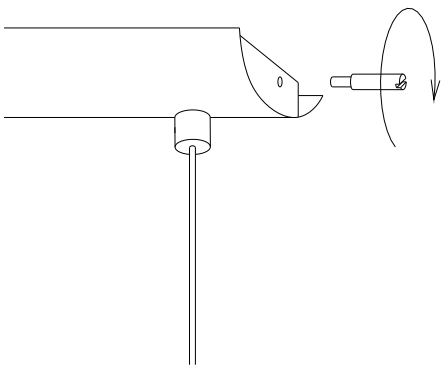
2



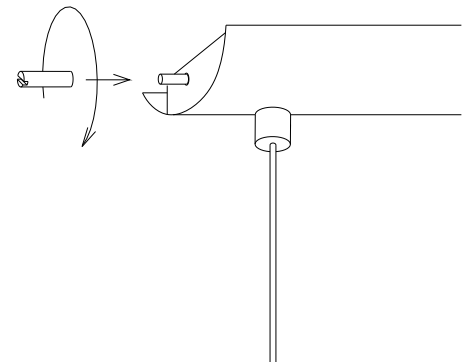
3



4



5



6

