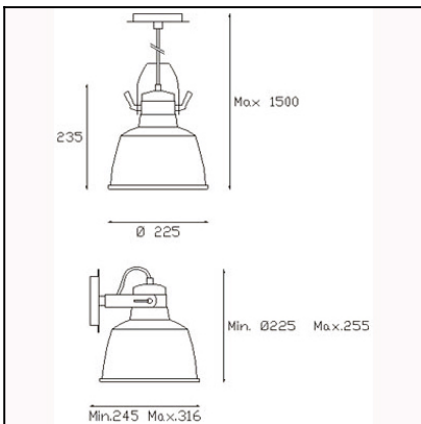




The photograph may not match the reference exactly. Please read the product description to identify the finish.



[Download photometric file .ldt / .ies](#)

TECHNICAL CHARACTERISTICS

Type:	Pendant
IP Protection degrees:	IP20
Lampholder:	1 x E27
Power (W):	E27 100W
Voltage / Frequency:	220-240V/50-60Hz
Units per box:	4
Net Weight (Kg):	1.26
EAN:	8435111091098



MATERIALS / FINISHES

Structure material:	Steel Zamak
Structure finish:	Grey Chrome

