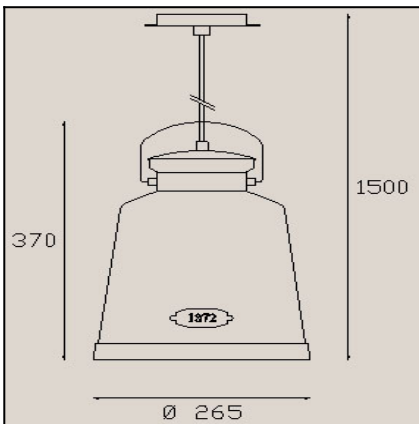




The photograph may not match the reference exactly. Please read the product description to identify the finish.



[Download photometric file .ldt /.ies](#)

TECHNICAL CHARACTERISTICS

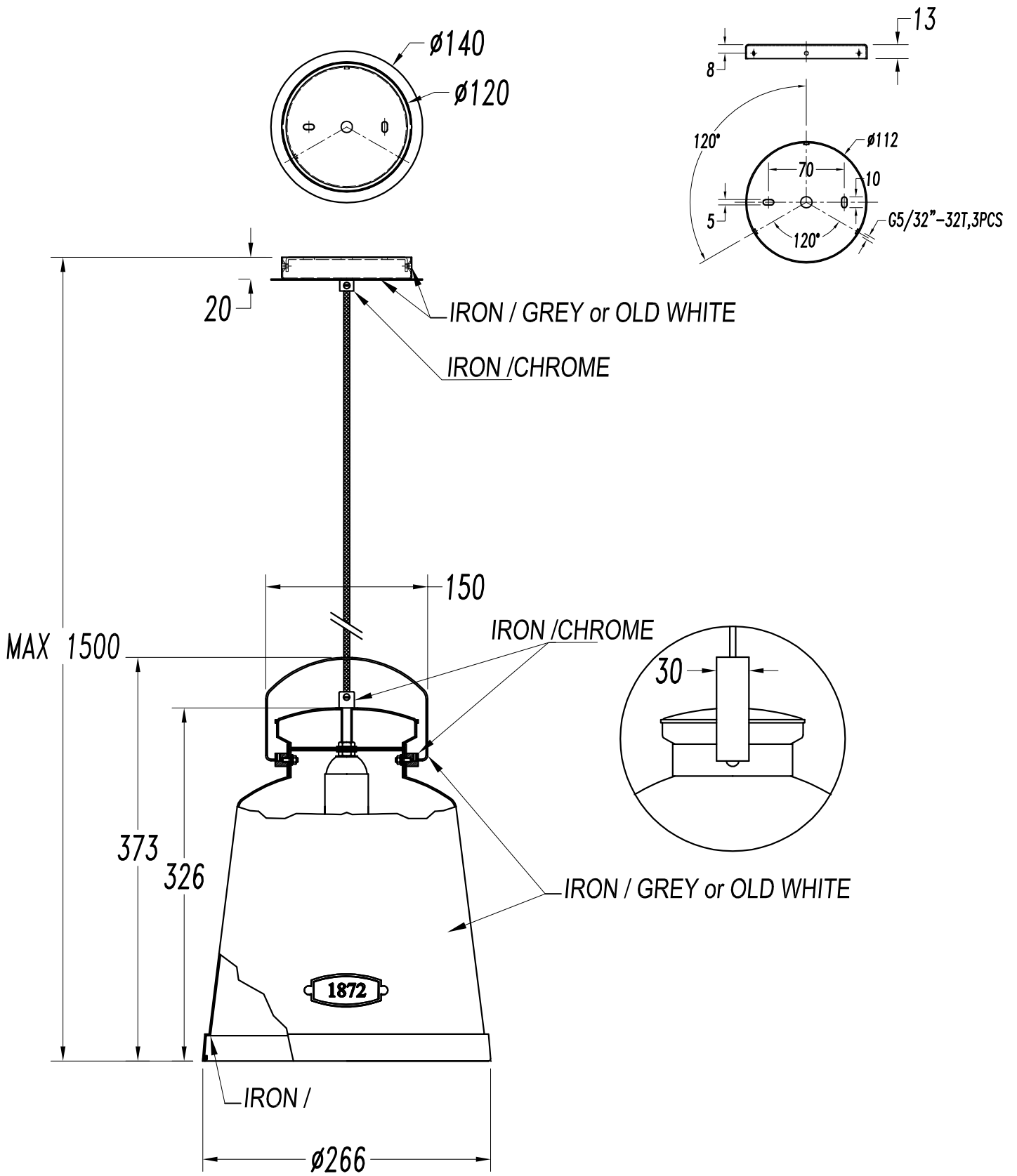
Type:	Pendant
IP Protection degrees:	IP20
Lampholder:	1 x E27
Power (W):	E27 MAX 100W
Voltage / Frequency:	220-240V/50-60Hz
Units per box:	2
Net Weight (Kg):	1.29
EAN:	8435111091111



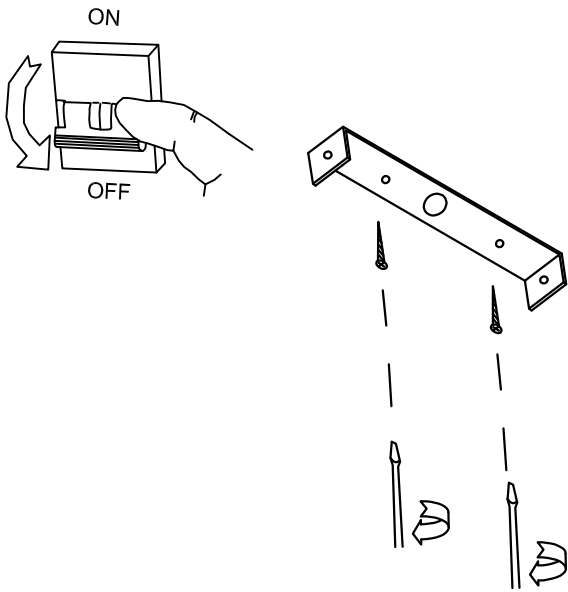
MATERIALS / FINISHES

Structure material: Steel
Spin forming aluminium

Structure finish: Golden

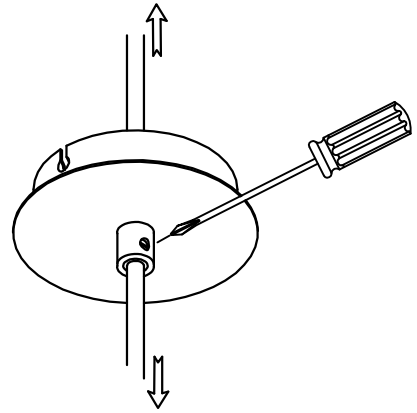


1

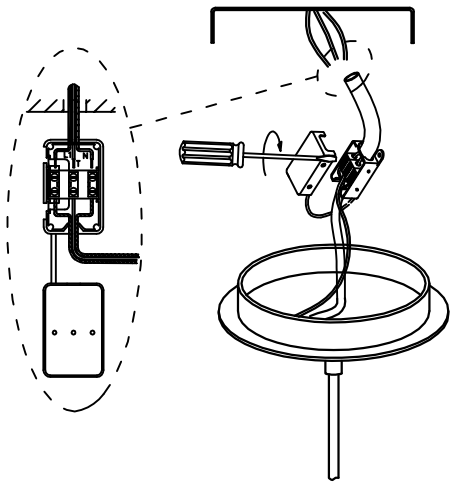


2

X1

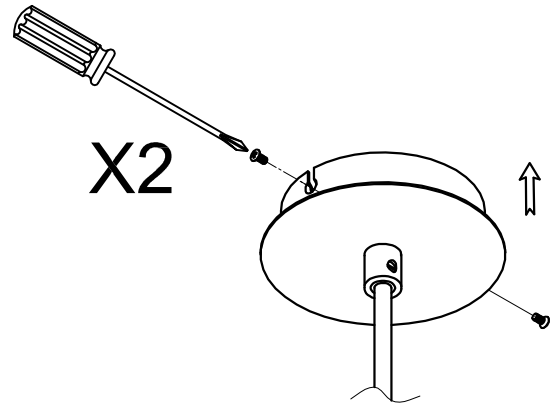


3



4

X2



5

