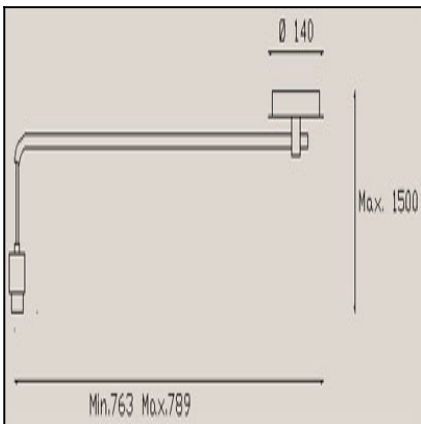




The photograph may not match the reference exactly. Please read the product description to identify the finish.



Download photometric file .ldt / .ies

### TECHNICAL CHARACTERISTICS

Type:	Pendant
Adjustable 350° on the vertical axis.	
IP Protection degrees:	IP20
Lampholder:	1 x E27
Power (W):	E27 100W
Voltage / Frequency:	220-240V/50-60Hz
Units per box:	4
Net Weight (Kg):	1
EAN:	8435111091043



### MATERIALS / FINISHES

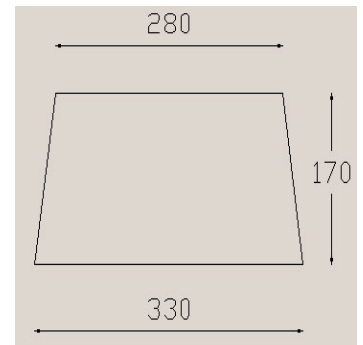
**Structure material:** Steel  
**Structure finish:** Chrome

**PAN-163-14**


**Structure material:** Steel

**Diffuser material:** Laminated cotton shade

**Diffuser finish:** White



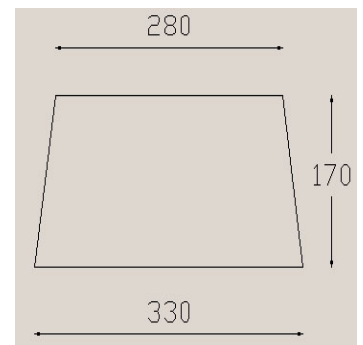
IP20

**PAN-163-05**


**Structure material:** Steel

**Diffuser material:** Laminated cotton shade

**Diffuser finish:** Black



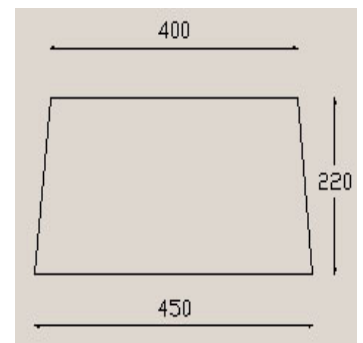
IP20

**PAN-164-14**


**Structure material:** Steel

**Diffuser material:** Laminated cotton shade

**Diffuser finish:** White



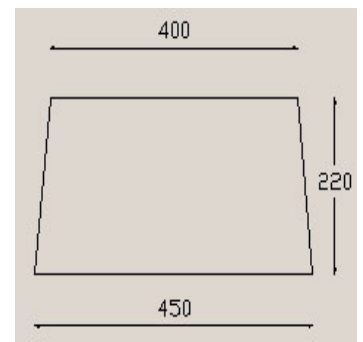
IP20

**PAN-164-05**

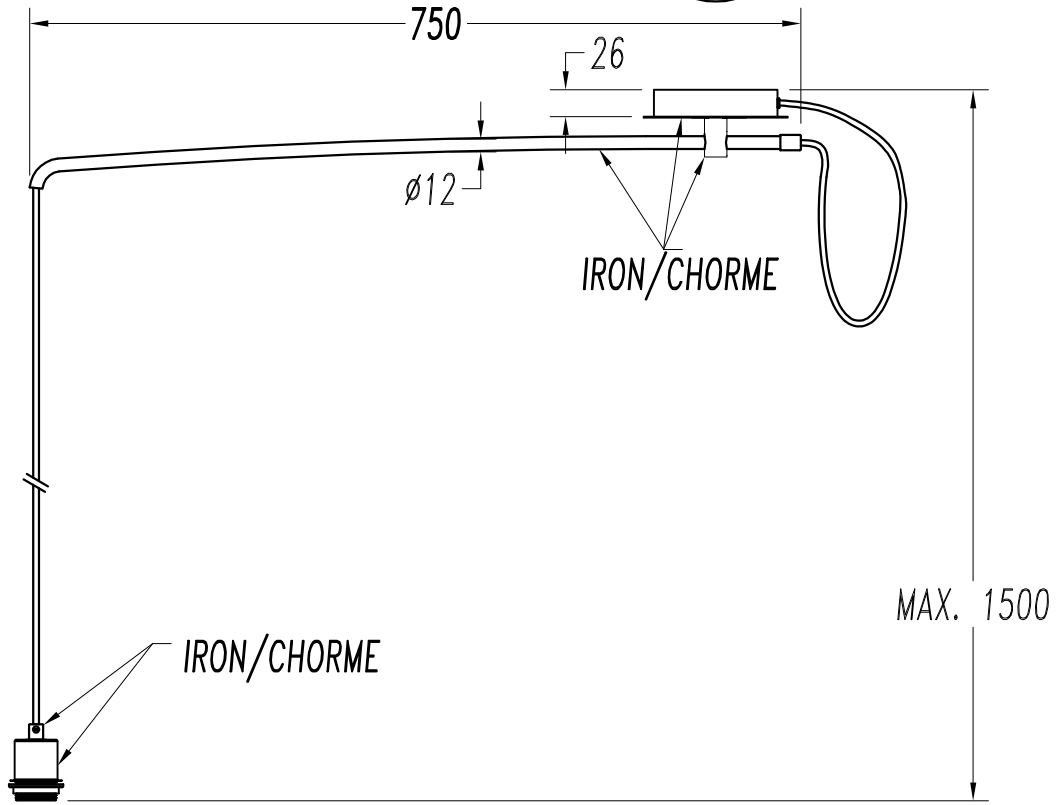
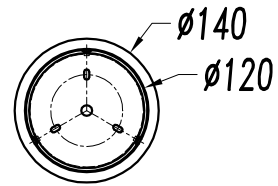
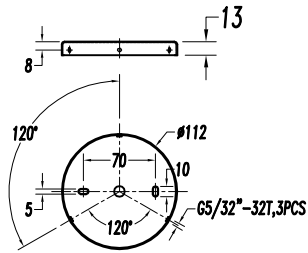
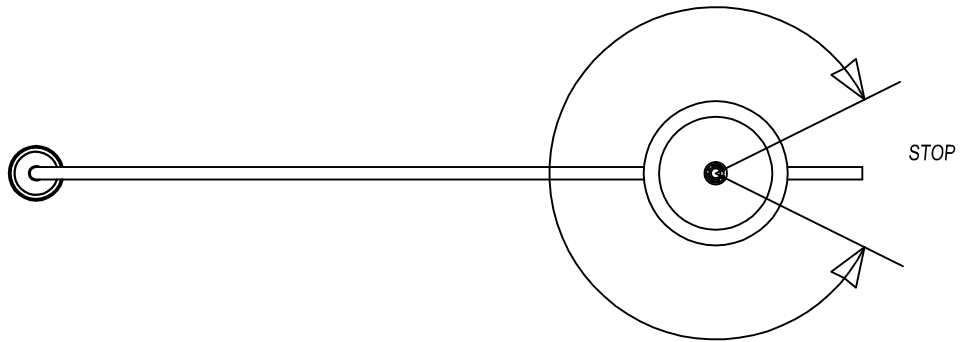

**Structure material:** Steel

**Diffuser material:** Laminated cotton shade

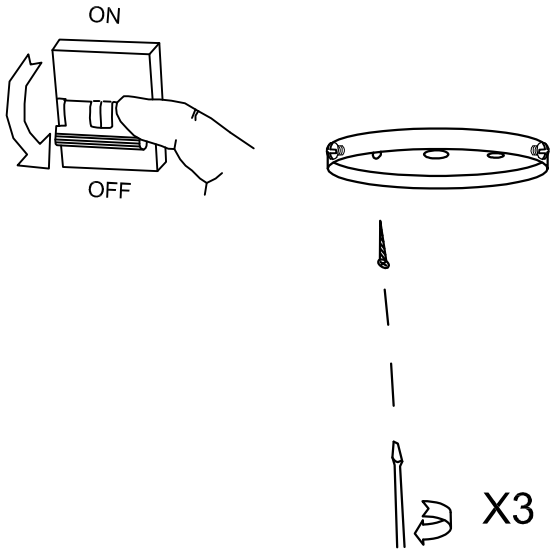
**Diffuser finish:** Black



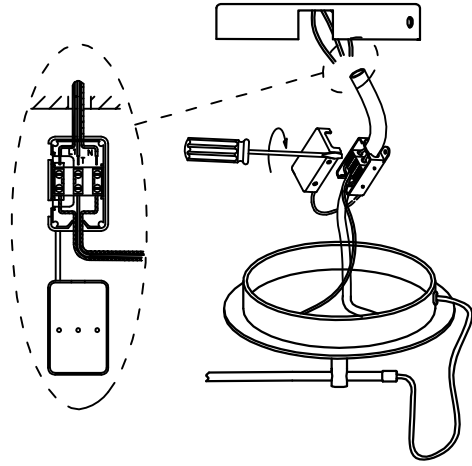
IP20



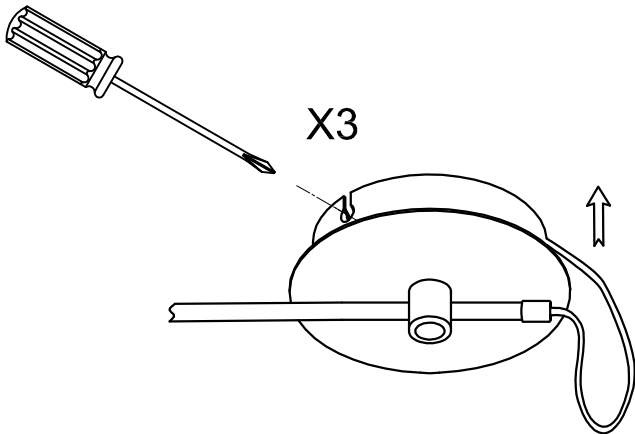
**1**



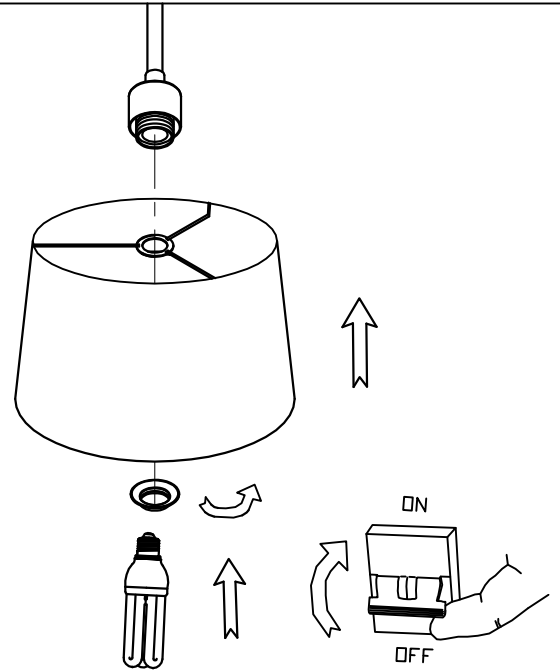
**2**



**3**



**4**



**5**

