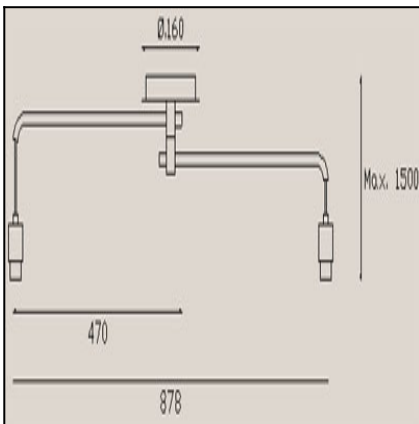




The photograph may not match the reference exactly. Please read the product description to identify the finish.



Download photometric file .ldt / .ies

TECHNICAL CHARACTERISTICS

Type:	Pendant
Adjustable 350° on the vertical axis.	
IP Protection degrees:	IP20
Lampholder:	2 x E27
Power (W):	E27 100W
Voltage / Frequency:	220-240V/50-60Hz
Units per box:	4
Net Weight (Kg):	1.46
EAN:	8435111091050



MATERIALS / FINISHES

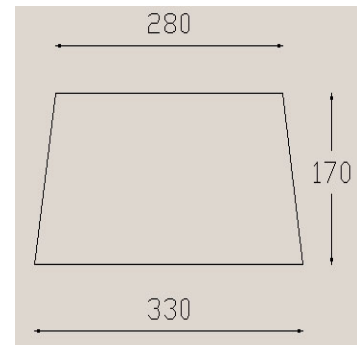
Structure material: Steel
Structure finish: Chrome

PAN-163-14


Structure material: Steel

Diffuser material: Laminated cotton shade

Diffuser finish: White



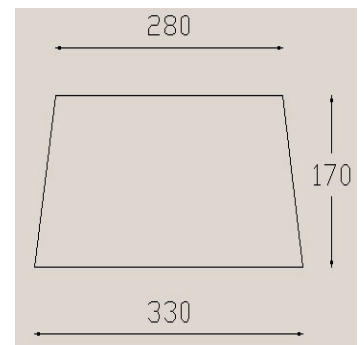
IP20

PAN-163-05


Structure material: Steel

Diffuser material: Laminated cotton shade

Diffuser finish: Black



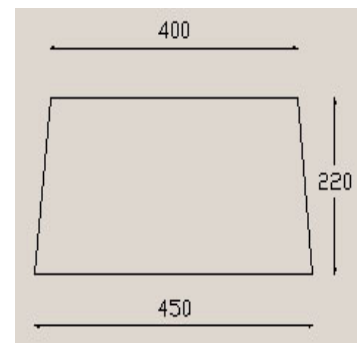
IP20

PAN-164-14


Structure material: Steel

Diffuser material: Laminated cotton shade

Diffuser finish: White



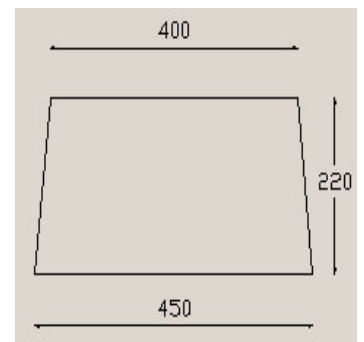
IP20

PAN-164-05


Structure material: Steel

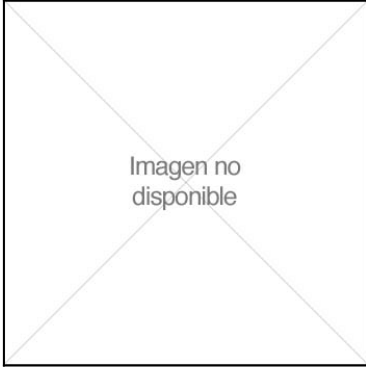
Diffuser material: Laminated cotton shade

Diffuser finish: Black



IP20

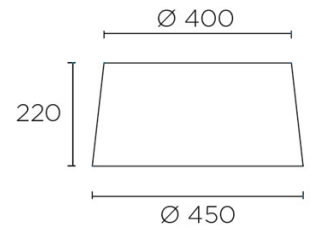
PAN-174-14



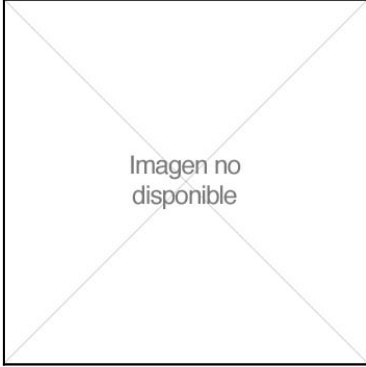
Structure material: Steel

Diffuser material: Fabric shade

Diffuser finish: White



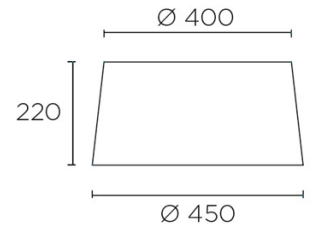
PAN-174-05

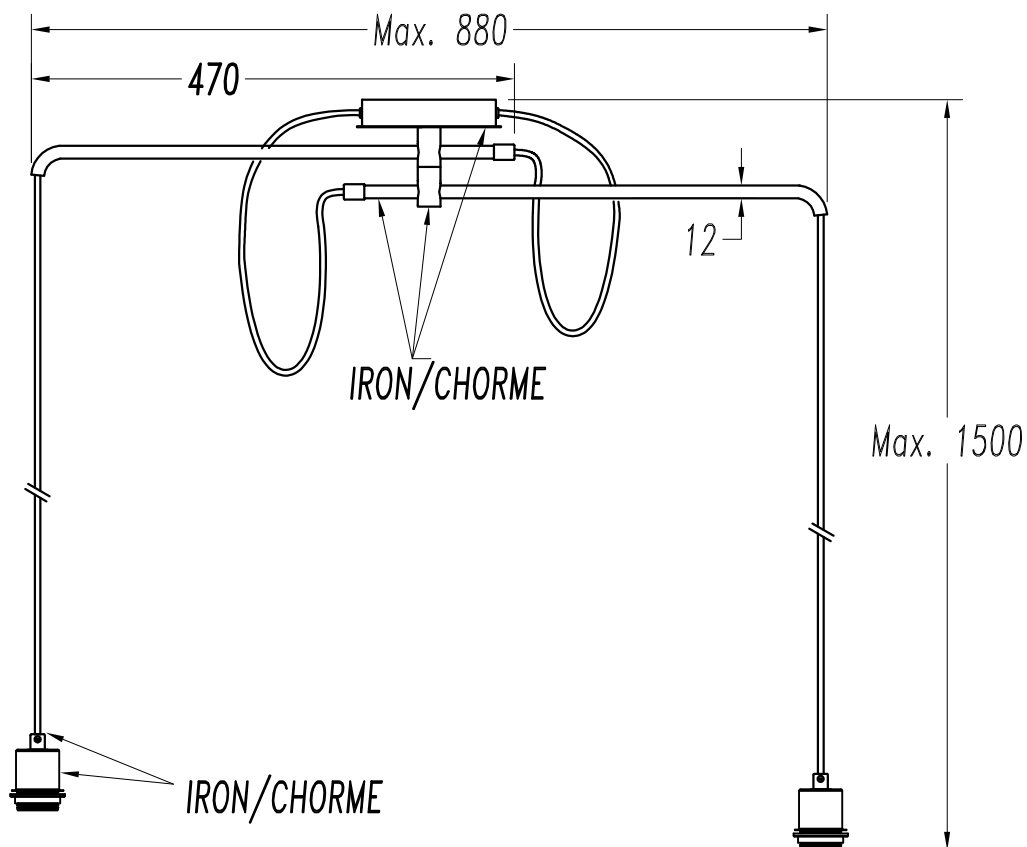
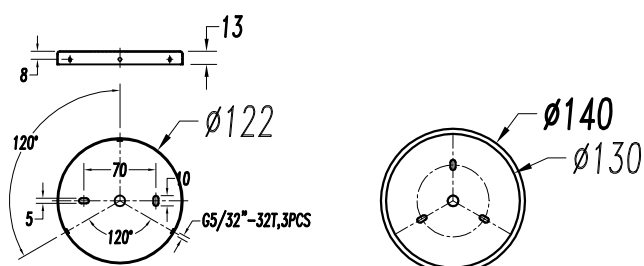
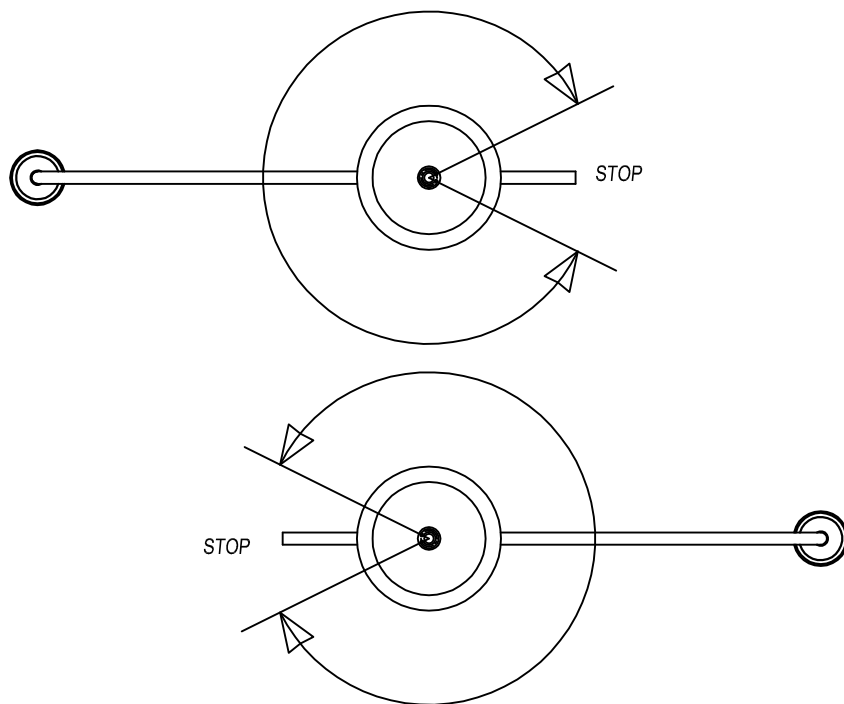


Structure material: Steel

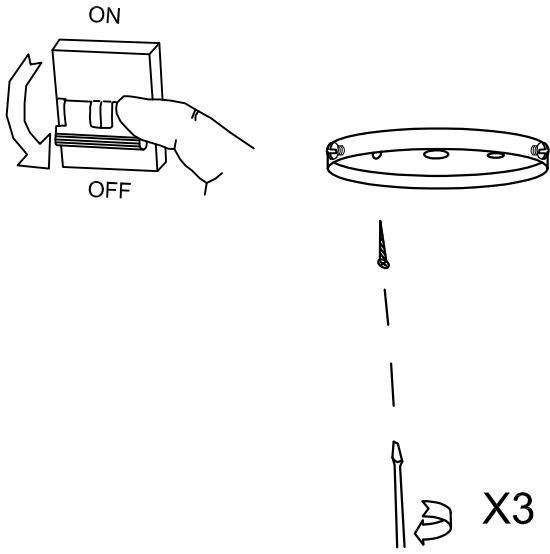
Diffuser material: Fabric shade

Diffuser finish: Black

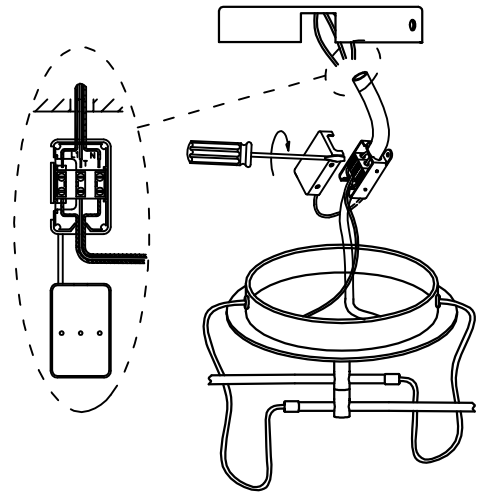




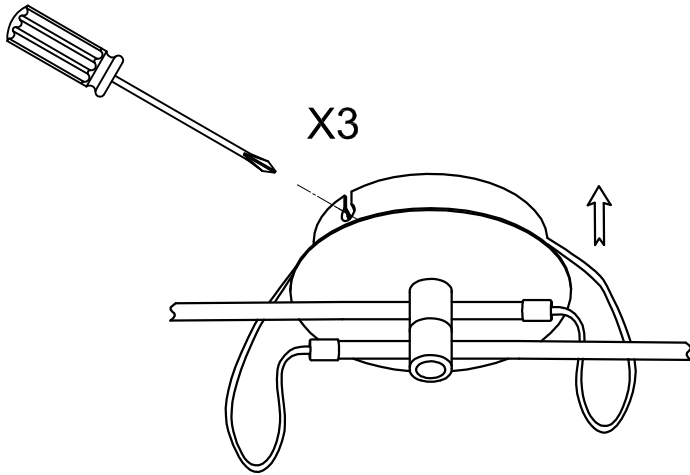
1



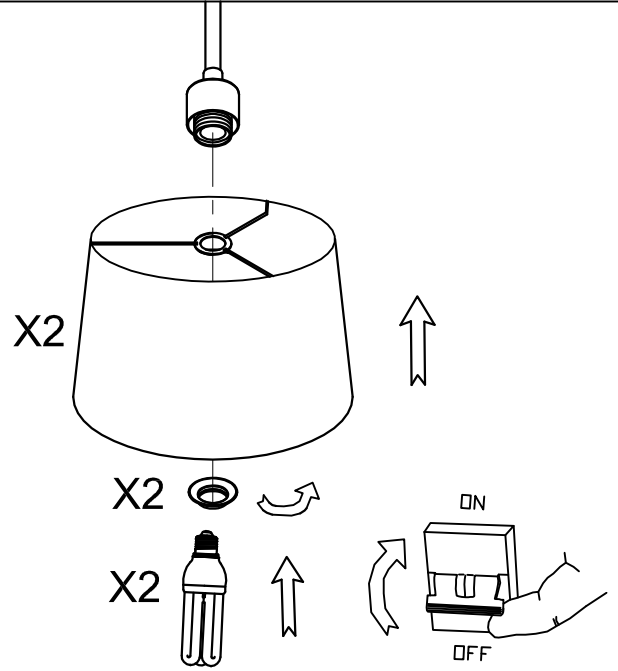
2



3



4



5

