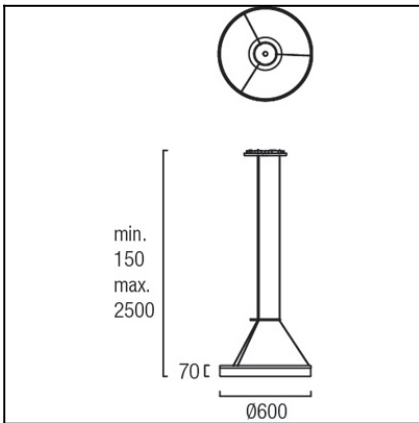
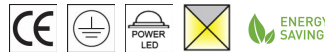


Design by GROK Team


The photograph may not match the reference exactly. Please read the product description to identify the finish.


[Download photometric file .ldt / .ies](#)
TECHNICAL CHARACTERISTICS

Type:	Pendant
IP Protection degrees:	IP20
Bulb:	360 x LED Refond. Warm White - 3000K
Power (W):	22W
Total power consumption (W):	30.5
Luminous efficacy (Lm/W):	111
CRI:	80
Voltage / Frequency:	100-240V/50-60Hz
Warranty (Years):	2
Option to extend the guarantee:	Yes, 5 years
Units per box:	1
Net Weight (Kg):	4.49
EAN:	0,00


MATERIALS / FINISHES
Structure material: Aluminium
Steel

Diffuser material: Methacrylate

Structure finish: Matt white

Diffuser finish: White

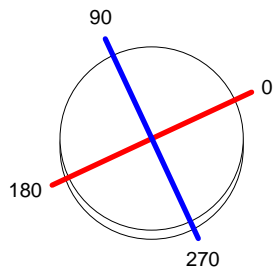
GEAR

Multi-voltage electronic gear included (110-240 V / 50-60 Hz)
Dimming protocol: 1..10V

Luminaire		Measur.		Lamp	
Code	00-0641-BW-M3	Code	00-0001-BW-M3	Code	00-0001-BW-M3
Name	Colgante CIRC led 22W blanco	Name	Colgante CIRC led 22W blanco	Number	1
Line	- LEDS-C4	Date	18-06-2012	Position	Universal
Efficiency	100.00%	Coordinate system	CG	Total Flux	2223.30 lm
Maximum value	423.60 cd	Position	C=0.00 G=0.00	Double Symmetrical	
Round Luminaire	Diam.	600 mm	Height	70 mm	
Round Luminous Area	Diam.	600 mm	Height	55 mm	
Horizontal Luminous Area	0.282743 m2	Emitting area on Plane 180°	0.033000 m2		
Emitting area on Plane 0°	0.033000 m2	Emitting area on Plane 270°	0.033000 m2		
Emitting area on Plane 90°	0.033000 m2	Glare area at 76°	0.100422 m2		
Symmetry Type	Double Symmetrical	Maximum Gamma Angle	180		
Measurement Distance	6.44	Measurement Flux	2223.30 lm		
Operator	Asselum T2	Source voltage	230.00 V		
Temperature	24.00 °C	Source current			
Humidity	50.00 %	Photocell	PRC		
Notes					

Luminaire Lamps						
Line	Code	Name	Flux [lm]	Pow. [W]	Q.ty	
- LEDS C4 LEDS	00-0001-BW-M3	Lampara led blanco 22W	2223.30	22.00	1	
C.I.E.	34 61 83 73 100	D DIN 5040		B21		
F UTE	0.73 H + 0.27 T	B NBN		BZ 6		

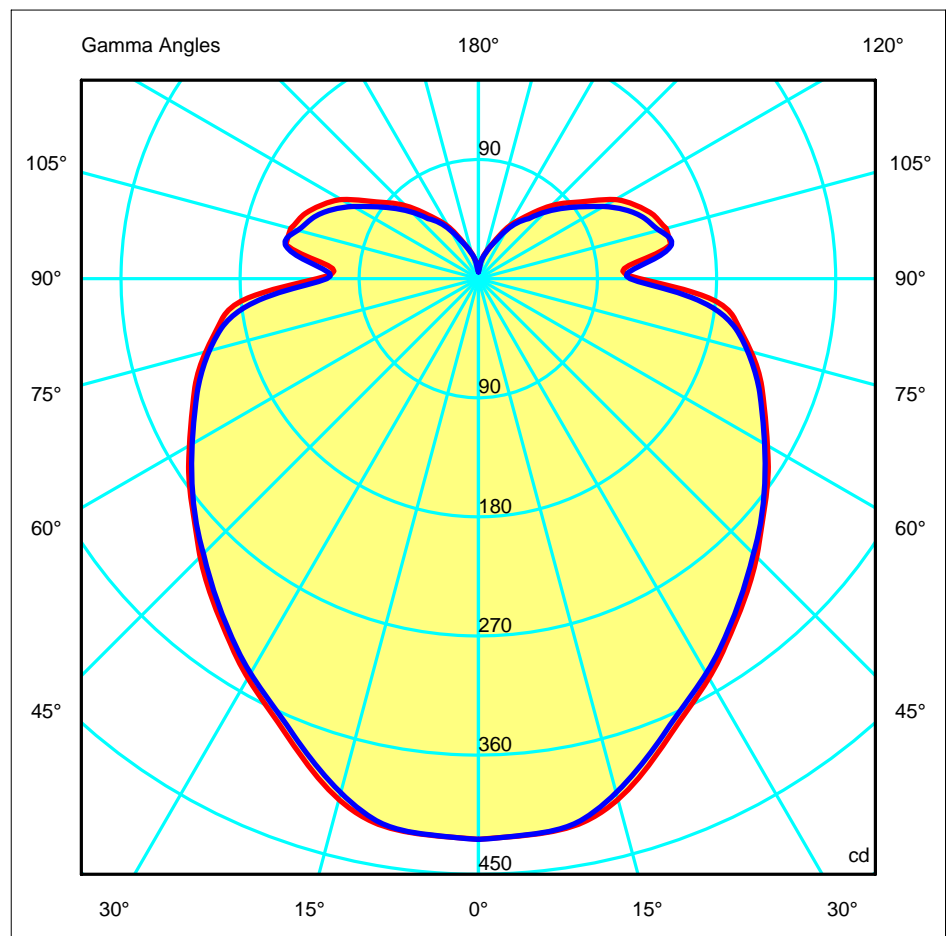
Diam=600mm



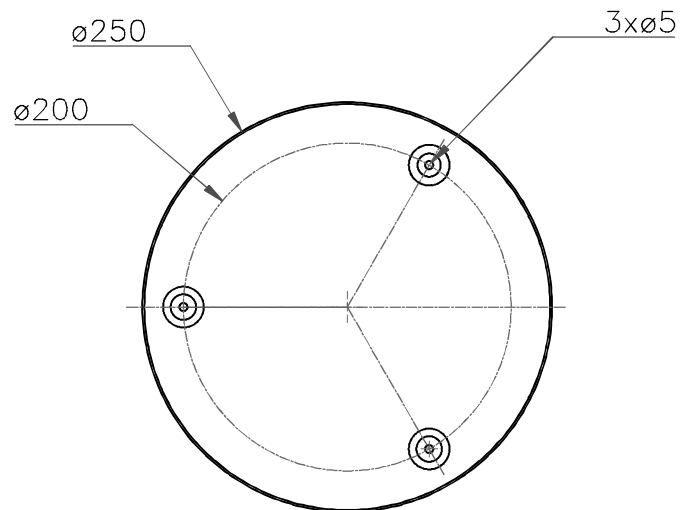
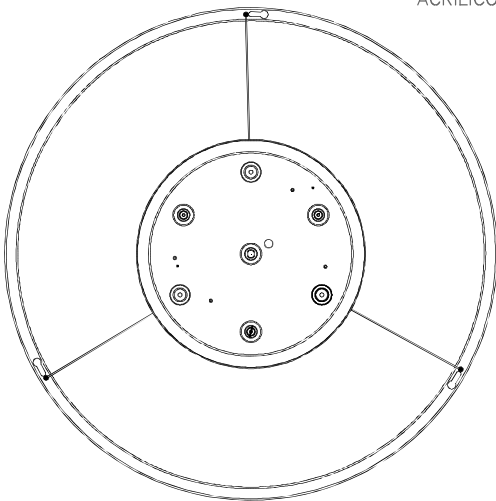
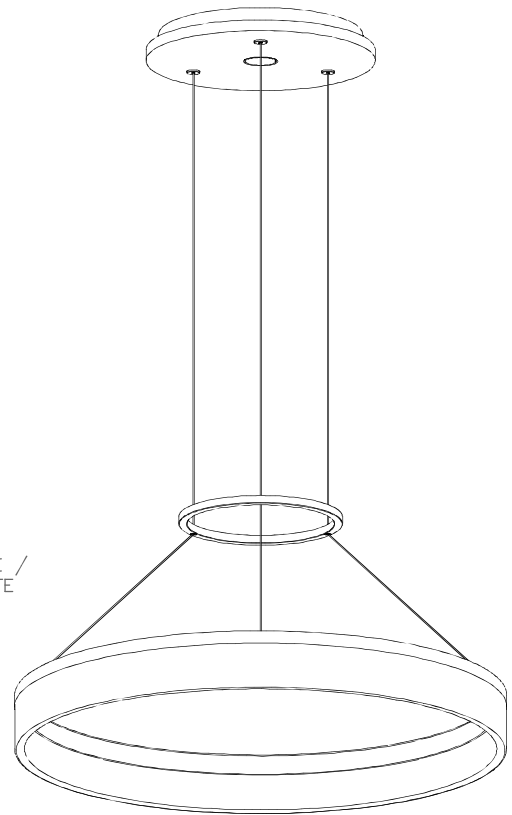
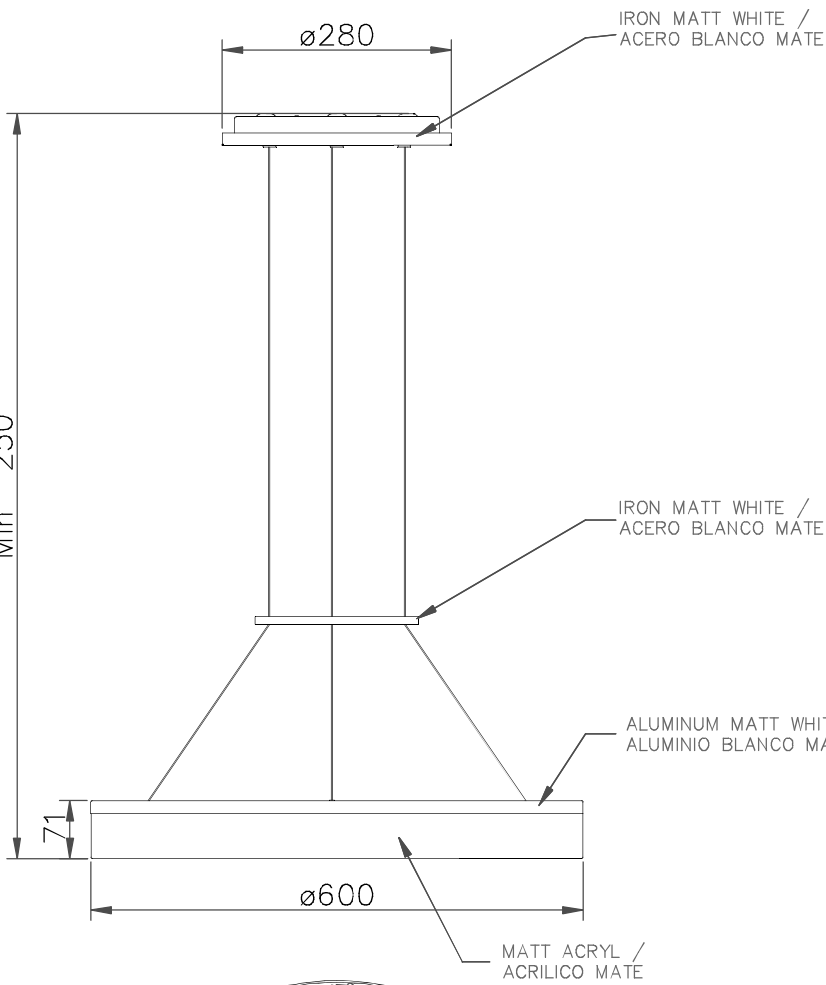
C Halfplanes

180.0 — 0.0
270.0 — 90.0

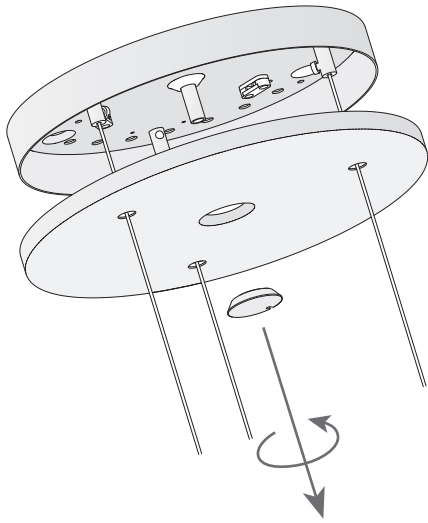
ULOR 27.19 %
DLOR 72.81 %
RN 27.19 %



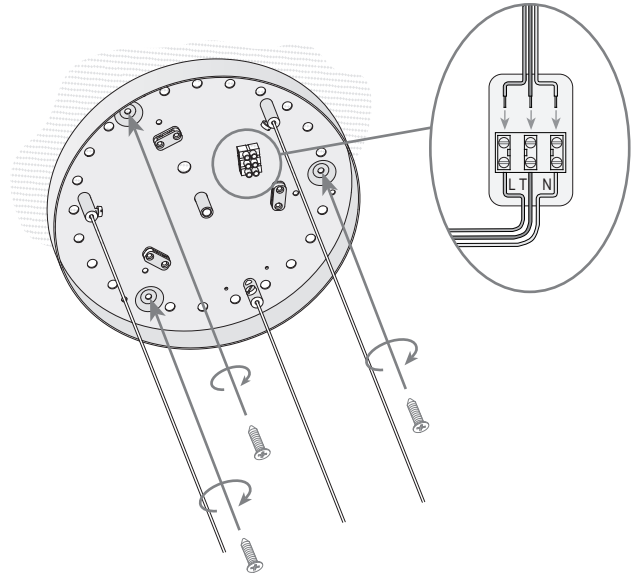
MAX. 2500
Min 250



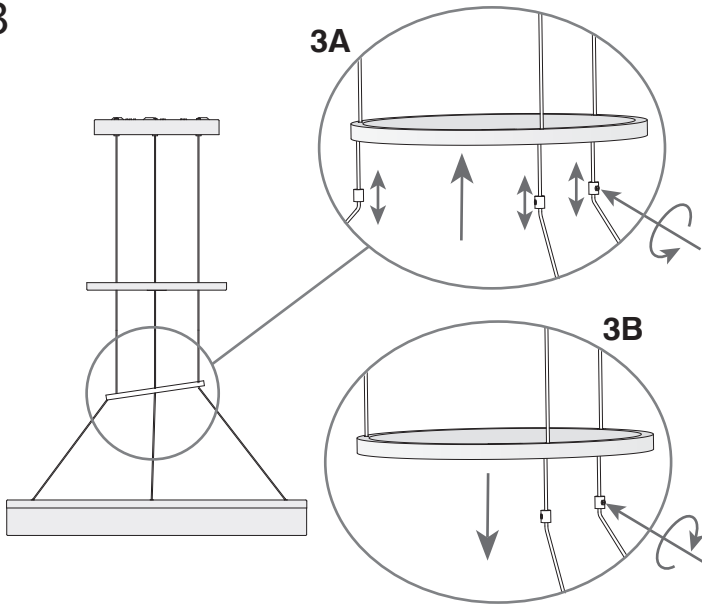
1



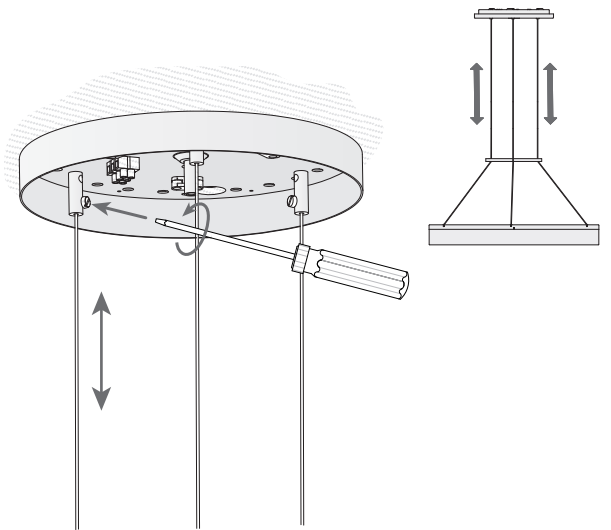
2



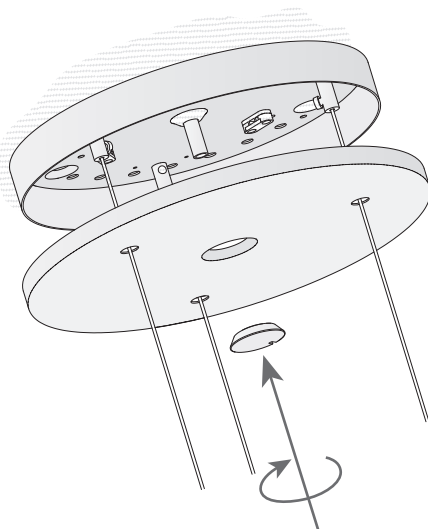
3



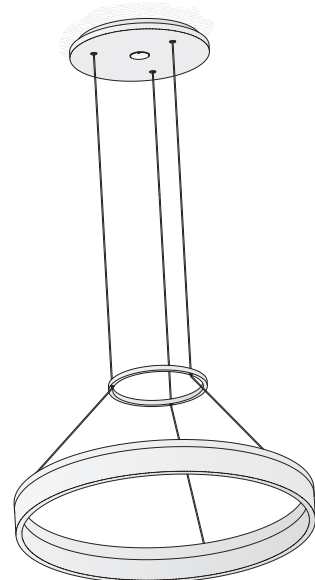
4



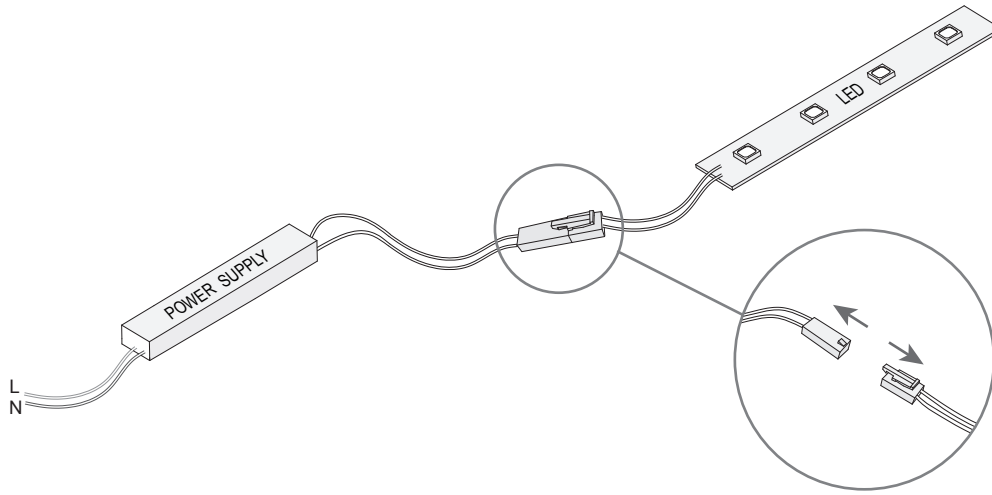
5



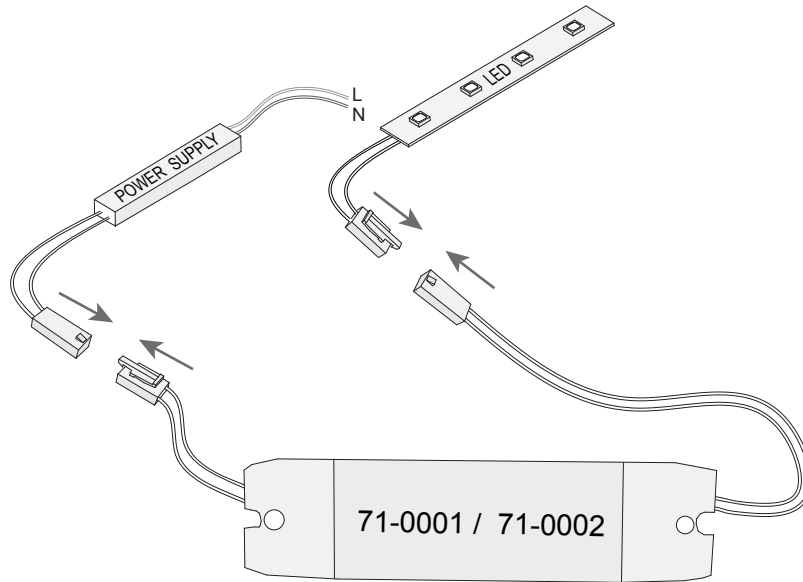
6



1



2



3

