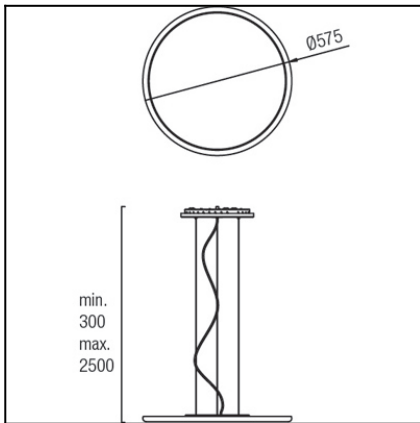


Design by GROK Team

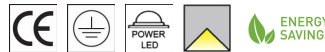

The photograph may not match the reference exactly. Please read the product description to identify the finish.



[Download photometric file .ldt / .ies](#)

TECHNICAL CHARACTERISTICS

Type:	Pendant
IP Protection degrees:	IP20
Bulb:	427 x LED Everlight. Warm White - 3000K
Power (W):	44W
Total power consumption (W):	50.5
Luminous efficacy (Lm/W):	111
CRI:	80
Voltage / Frequency:	100-240V/50-60Hz
Warranty (Years):	2
Option to extend the guarantee:	Yes, 5 years
Units per box:	1
Net Weight (Kg):	7.23
EAN:	0,00


MATERIALS / FINISHES

Structure material: Aluminium
Steel

Diffuser material: Polystyrene

Structure finish: Matt white

Diffuser finish: Tinted

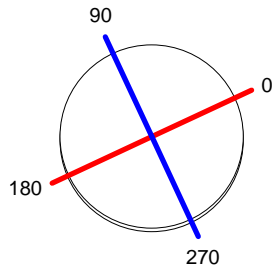
GEAR

Multi-voltage electronic gear included (110-240 V / 50-60 Hz)
Dimming protocol: 1..10V

Luminaire		Measur.		Lamp	
Code	00-0643-BW-M1	Code	00-0003-BW-M1	Code	00-0003-BW-M1
Name	Colgante NET leds 44W dimmable	Name	Colgante NET leds 44W	Number	1
Line	- LEDS C4 LEDS	Date	14-03-2013	Position	Universal
Efficiency	100.00%	Coordinate system	CG	Total Flux	2551.70 lm
Maximum value	899.43 cd	Position	C=0.00 G=0.00	Double Symmetrical	
Round Luminaire	Diam.	575 mm	Height	22 mm	
Round Luminous Area	Diam.	525 mm	Height	0 mm	
Horizontal Luminous Area	0.216475 m2	Emitting area on Plane 180°	0.000000 m2		
Emitting area on Plane 0°	0.000000 m2	Emitting area on Plane 270°	0.000000 m2		
Emitting area on Plane 90°	0.000000 m2	Glare area at 76°	0.052370 m2		
Symmetry Type	Double Symmetrical	Maximum Gamma Angle	90		
Measurement Distance	6.44	Measurement Flux	2551.70 lm		
Operator	Asselum T2	Source voltage	230.00 V		
Temperature	20.00 °C	Source current			
Humidity	46.00 %	Photocell	PRC		
Notes					

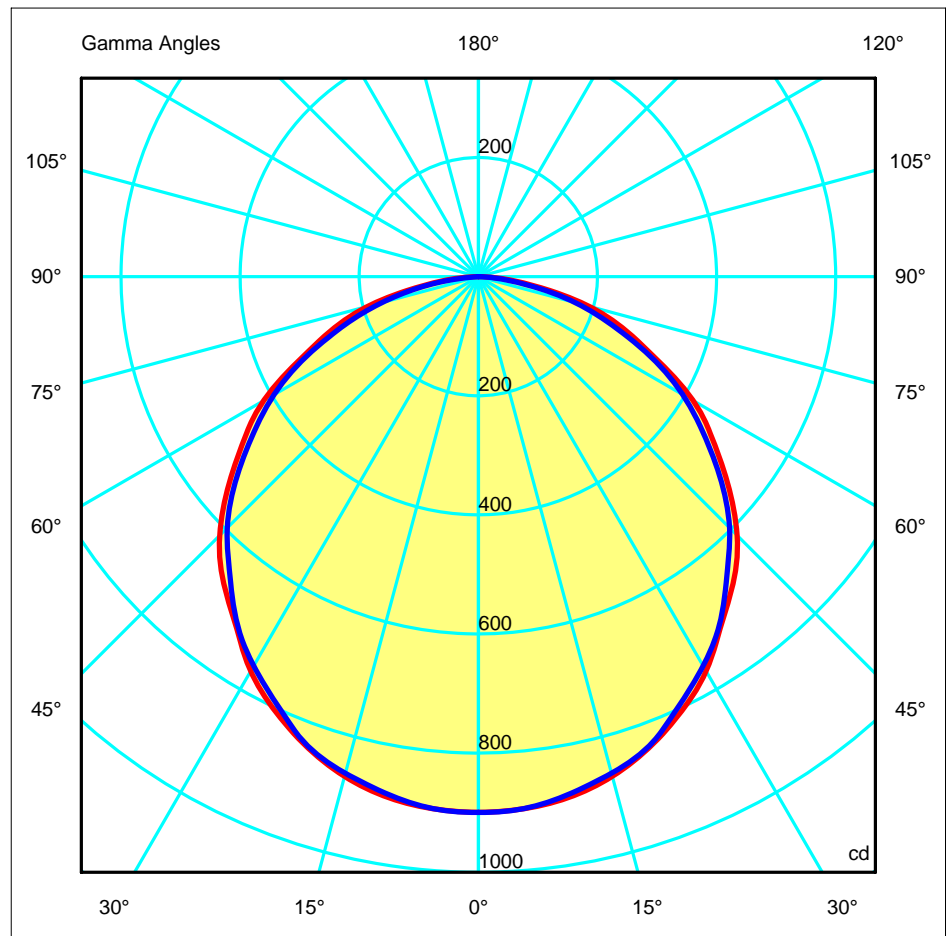
Luminaire Lamps						
Line	Code	Name	Flux [lm]	Pow. [W]	Q.ty	
- LEDS C4 LEDS	00-0003-BW-M1	Lámpara led blanco cálido 44W	2551.70	44.00	1	
C.I.E.	47 79 96 100 100	D DIN 5040	A30			
F UTE	1.00 E	B NBN	BZ 5 / 0.8 / BZ 4			

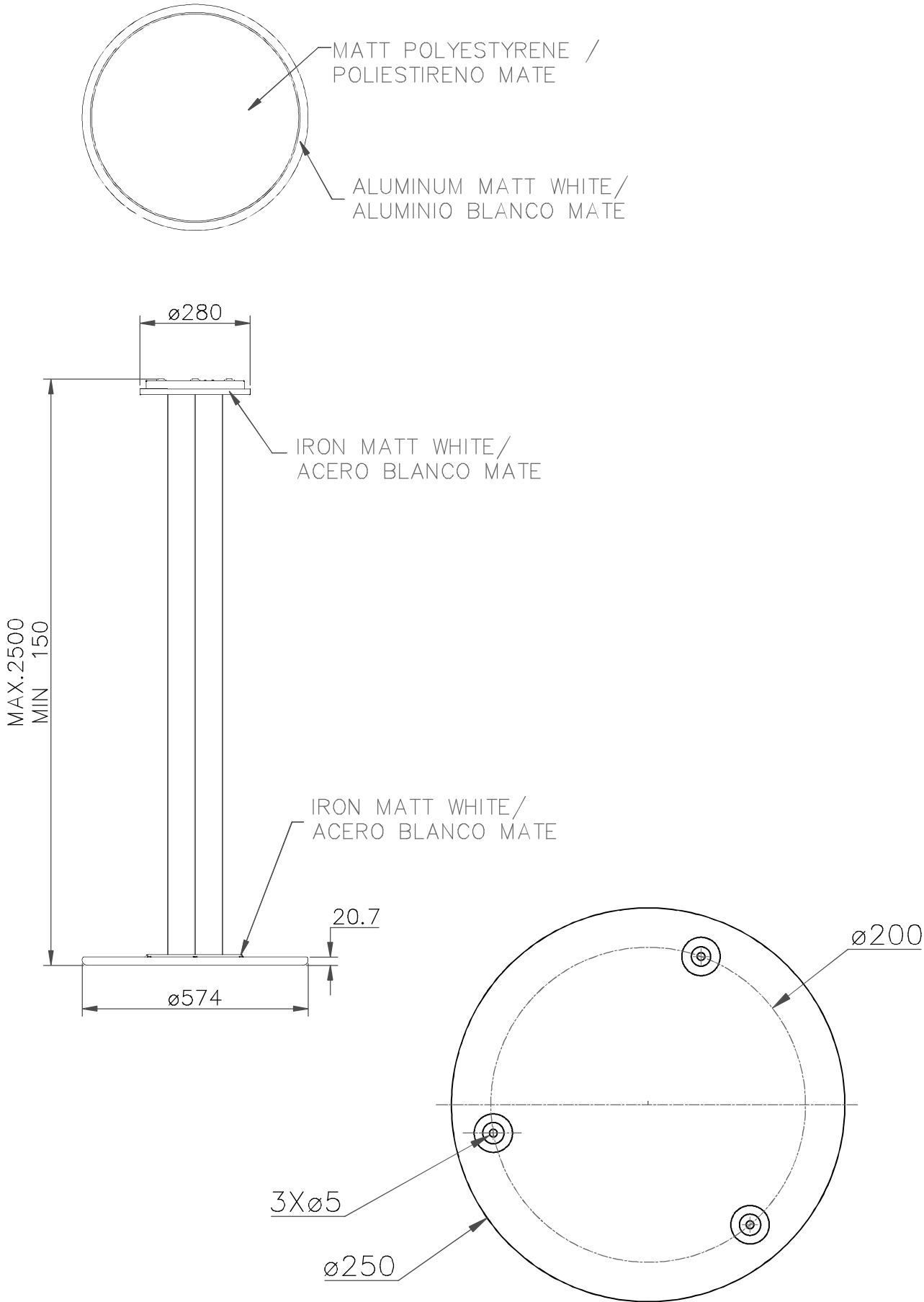
Diam=575mm



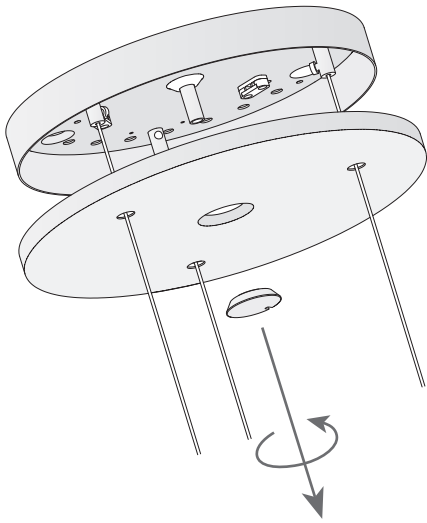
C Halfplanes
 180.0 — 0.0
 270.0 — 90.0

ULOR 0.00 %
 DLOR 100.00 %
 RN 0.00 %

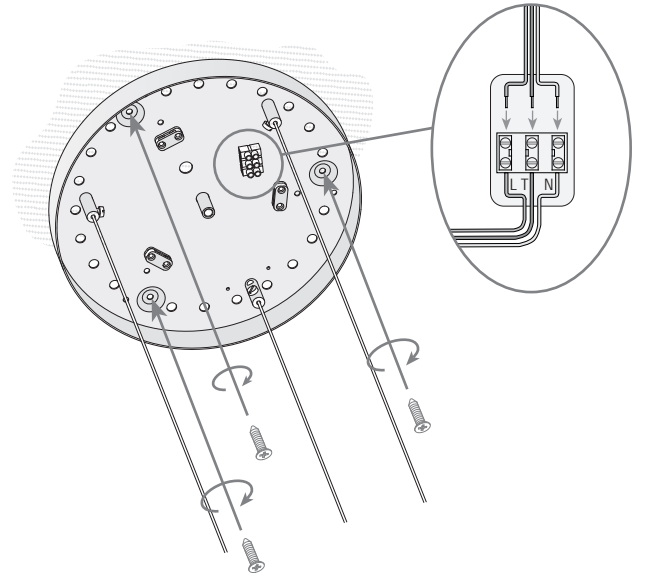




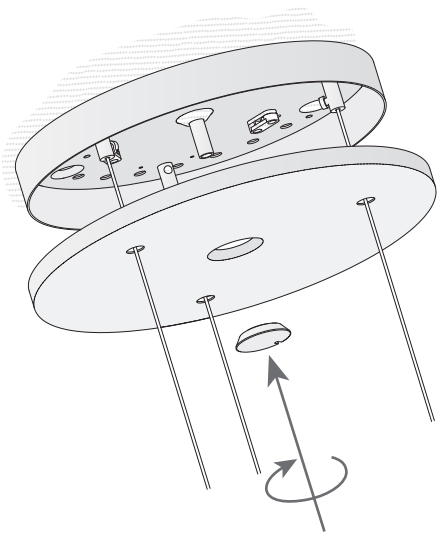
1



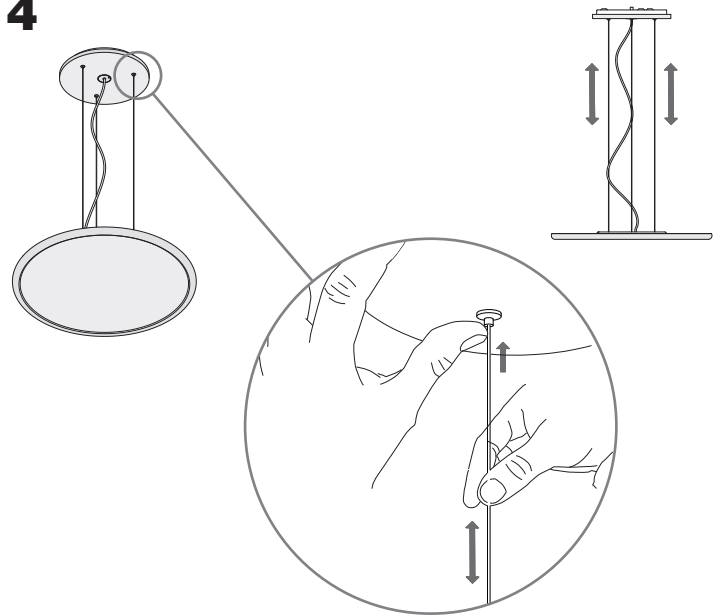
2



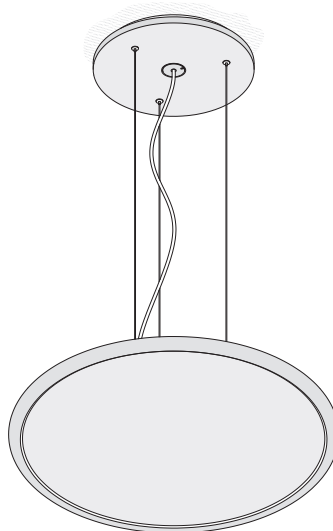
3



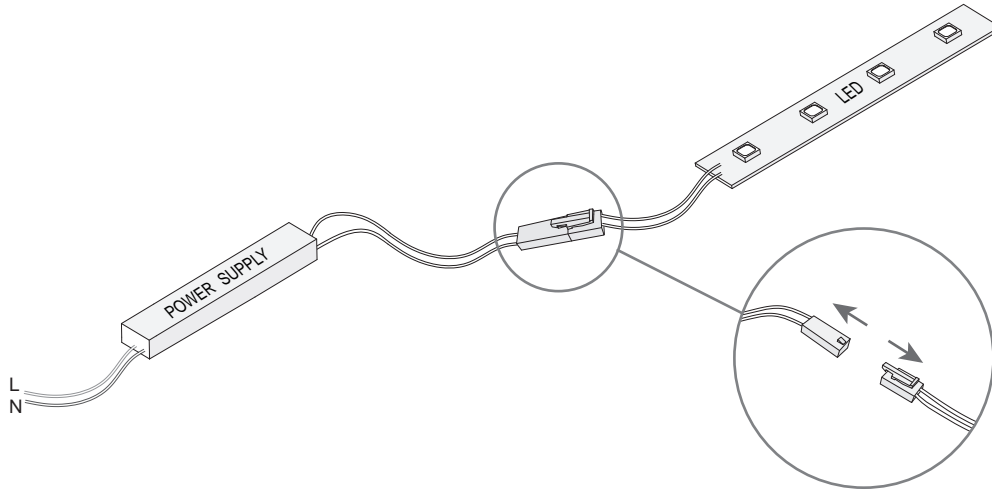
4



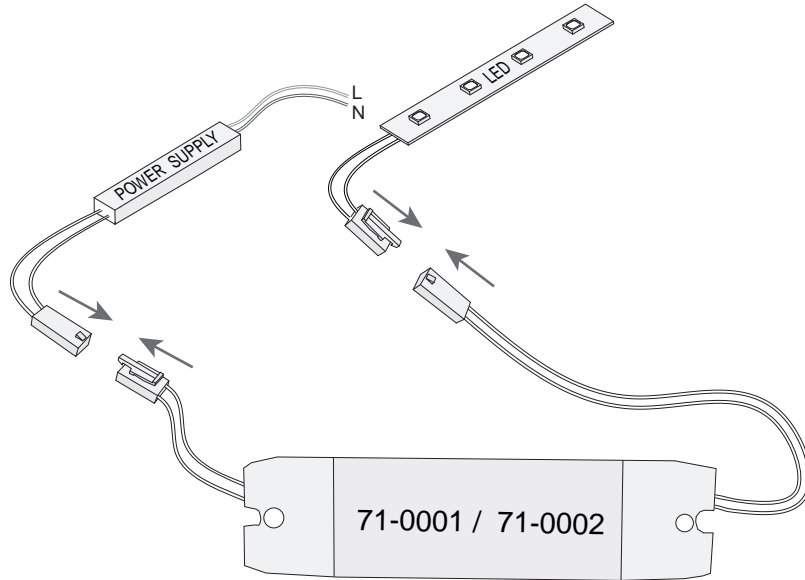
5



1



2



3

