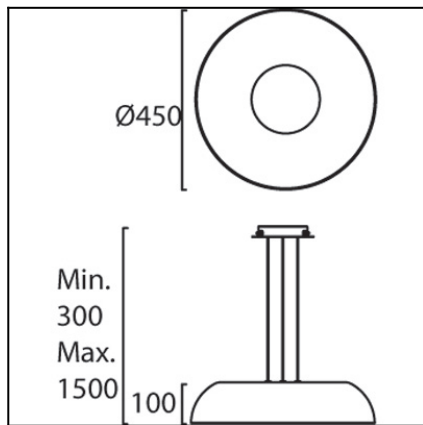


Design by Benedito Design


The photograph may not match the reference exactly. Please read the product description to identify the finish.



Download photometric file .ldt / .ies

TECHNICAL CHARACTERISTICS

Type:	Pendant
IP Protection degrees:	IP20
Lampholder:	1 x 2GX13 1 x 2GX13
Power (W):	2GX13 22W 2GX13 40W
Bulb included:	1 x 2GX13 22W. Warm White - 2700K 1 x 2GX13 40W. Warm White - 2700K
Total power consumption (W):	69
Voltage / Frequency:	220-240V/50-60Hz
Warranty (Years):	2
Units per box:	1
Net Weight (Kg):	6.32
EAN:	8435111098875,00


MATERIALS / FINISHES

Structure material: Steel	Diffuser material: Methacrylate
Structure finish: Black lacquered	Diffuser finish: Opal

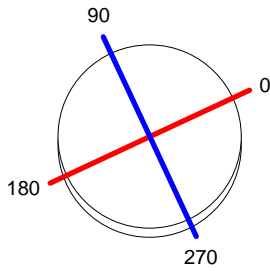
GEAR

Gear included: Yes, electronic
Dimming protocol: 1..10V

Luminaire		Measur.		Lamp	
Code	00-0678-BW-M1	Code	00-0056-05-M1	Code	FC 22 W/840
Name	Colg.TANDEM 40W+22W 2GX13 opal	Name	Colg.TANDEM 40W+22W 2GX13 opal	Number	2
Line	- LEDS-C4	Date	23-07-2012	Position	Universal
Efficiency	52.03%	Coordinate system	CG	Total Flux	5000.00 lm
Maximum value	883.17 cd	Position	C=0.00 G=5.00	Double Symmetrical	
Round Luminaire	Diam.	600 mm	Height	135 mm	
Round Luminous Area	Diam.	570 mm	Height	0 mm	
Horizontal Luminous Area	0.255176 m2	Emitting area on Plane 180°	0.000000 m2		
Emitting area on Plane 0°	0.000000 m2	Emitting area on Plane 270°	0.000000 m2		
Emitting area on Plane 90°	0.000000 m2	Glare area at 76°	0.061733 m2		
Symmetry Type	Double Symmetrical	Maximum Gamma Angle	90		
Measurement Distance	6.44	Measurement Flux	5000.00 lm		
Operator	Asselum T2	Source voltage	230.00 V		
Temperature	25.00 °C	Source current			
Humidity	52.00 %	Photocell	PRC		
Notes					

Luminaire Lamps					
Line	Code	Name	Flux [lm]	Pow. [W]	Q.ty
OSRAM 2006 FD,FC	FC 22 W/840	FC@ 22W/840 2GX13	1800.00	22.00	1
OSRAM 2006 FD,FC	FC 40 W/840	FC@ 40W/840 2GX13	3200.00	40.00	1
C.I.E.	46 79 96 100 52	D DIN 5040	A30		
F UTE	0.52 E	B NBN	BZ 5		

Diam=600mm



C Halfplanes
 180.0 — 0.0
 270.0 — 90.0

ULOR 0.00 %
 DLOR 52.03 %
 RN 0.00 %

