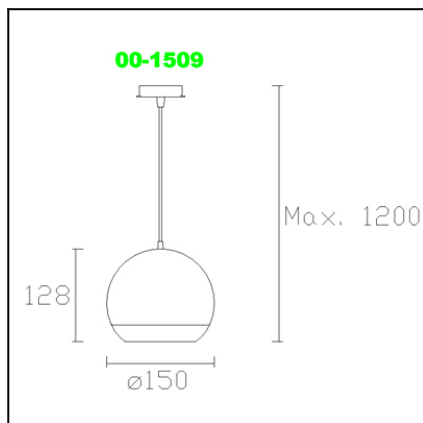




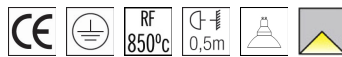
The photograph may not match the reference exactly. Please read the product description to identify the finish.



Download photometric file .ldt /.ies

TECHNICAL CHARACTERISTICS

Type:	Pendant
IP Protection degrees:	IP20
Lampholder:	1 x GU10
Power (W):	GU10 75W
Total power consumption (W):	75
Voltage / Frequency:	220-240V/50-60Hz
Warranty (Years):	2
Units per box:	12
Net Weight (Kg):	0.68
EAN:	8435111097892,00

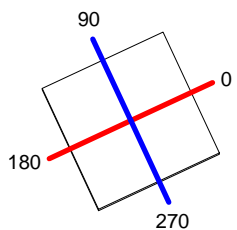

MATERIALS / FINISHES

Structure material:	Steel
Structure finish:	White Chrome

Luminaire		Measur.		Lamp		
Code	00-1509	Code	00-1509	Code	Halogen	
Name	PENDANT LAMP	Name	PENDANT LAMP	Number	1	
Line	IESNA-1995	Date	15-11-2013	Position		
Efficiency	60.24%	Coordinate system	CG	Total Flux	650.00 lm	
Maximum value	1976.74 cd	Position	C=330.00 G=2.00	Asymmetrical		
Rectangular Luminaire	Length	100 mm	Width	100 mm	Height	1 mm
Rectangular Luminous Area	Length	100 mm	Width	100 mm	Height	0 mm
Horizontal Luminous Area	0.010000 m2	Emitting area on Plane 180°		0.000000 m2		
Emitting area on Plane 0°	0.000000 m2	Emitting area on Plane 270°		0.000000 m2		
Emitting area on Plane 90°	0.000000 m2	Glare area at 76°		0.002419 m2		
Symmetry Type	Asymmetrical	Maximum Gamma Angle		90		
Measurement Distance	0.00	Measurement Flux		650.00 lm		
Operator		Source voltage				
Temperature	25.00 °C	Source current				
Humidity	60.00 %	Photocell				
Notes						

Luminaire Lamps						
Line	Code	Name	Flux [lm]	Pow. [W]	Q.ty	
IESNA-1995	Halogen	ES-111-75W - 72.50 W	650.00	72.50	1	
C.I.E.	83 95 99 100 60	D DIN 5040		A60		
F UTE	0.60 B	B NBN		BZ 1		

100mm x 100mm



C Halfplanes

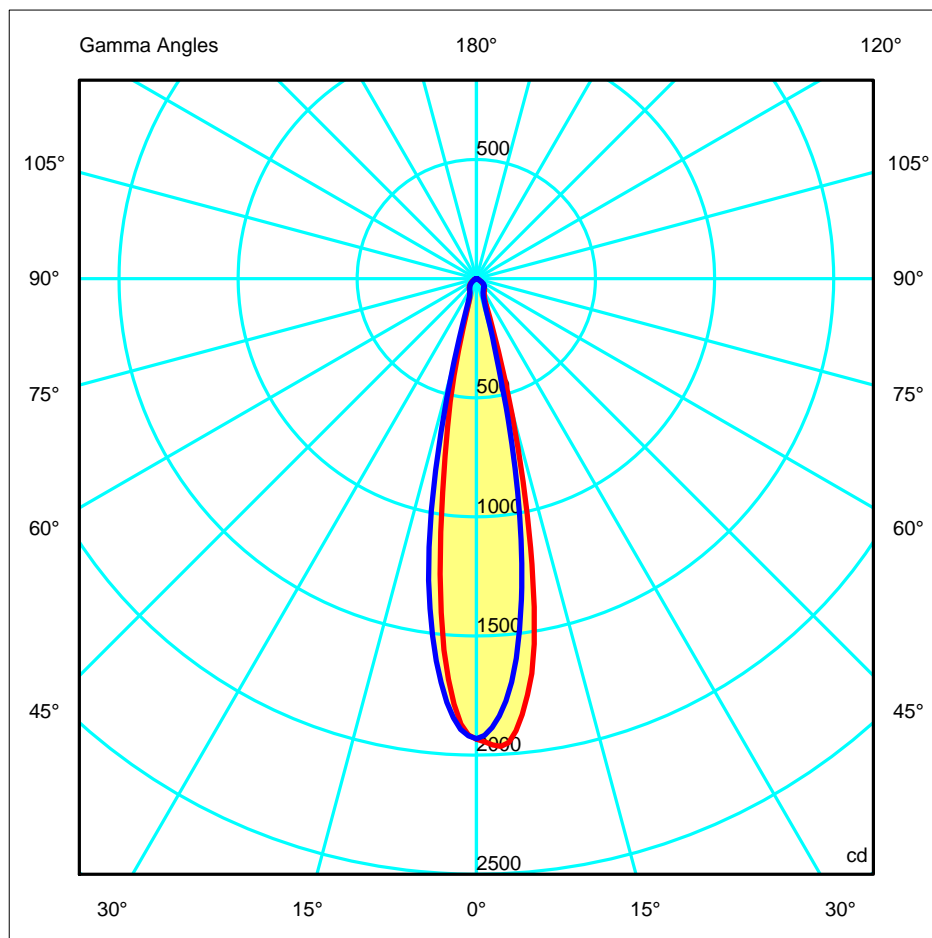
180.0 — 0.0 (Red line)

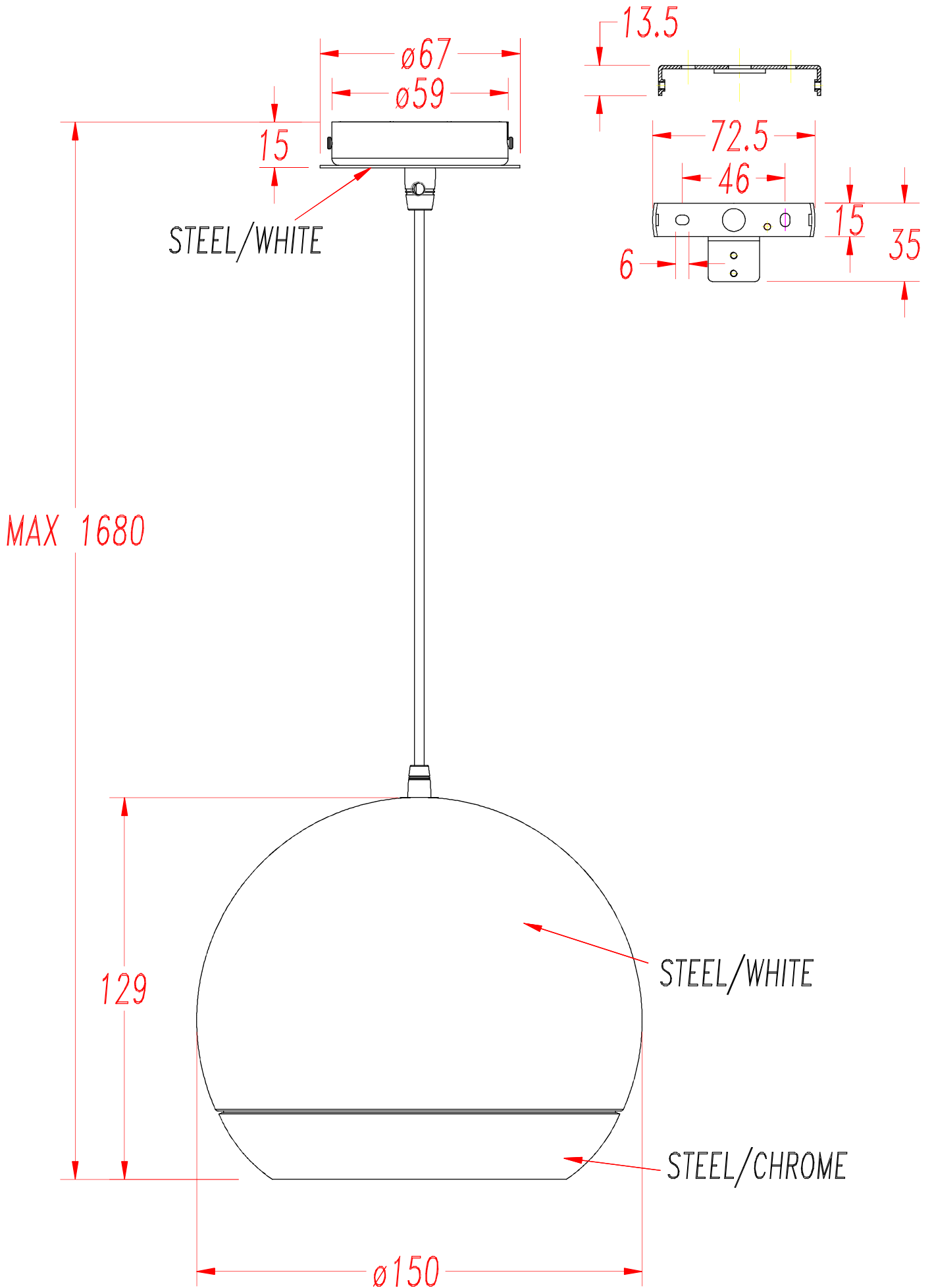
270.0 — 90.0 (Blue line)

ULOR 0.00 %

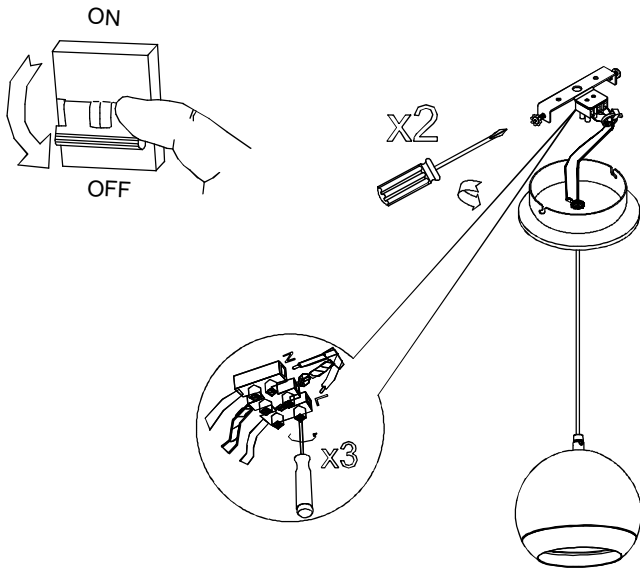
DLOR 60.24 %

RN 0.00 %

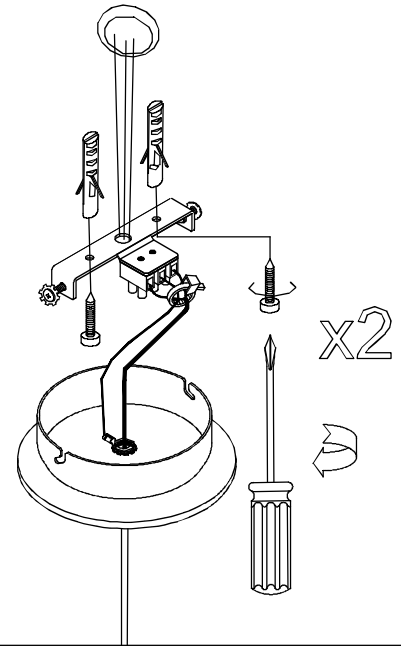




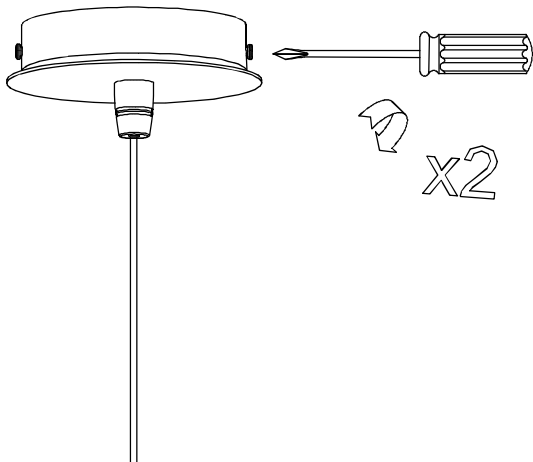
1



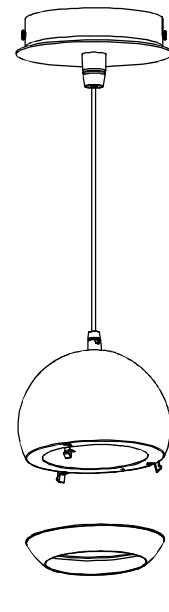
2



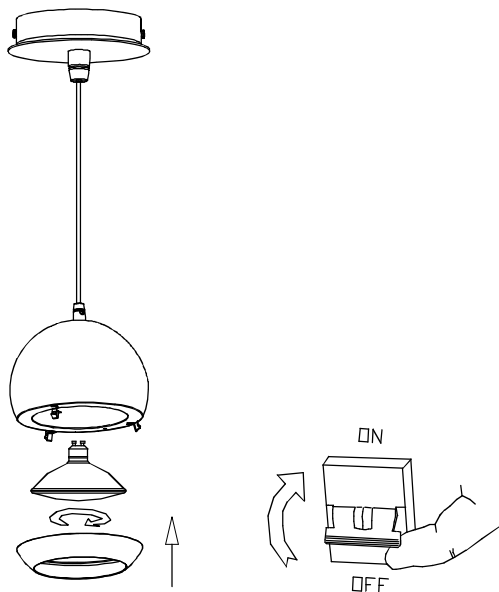
3



4



5



6

