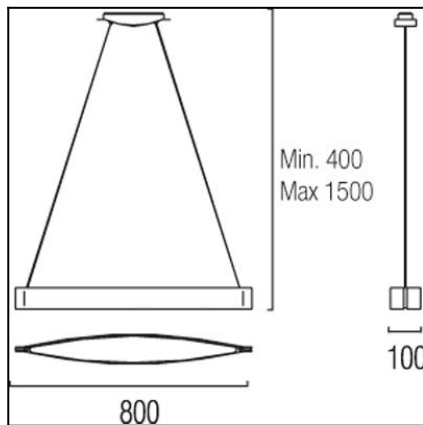


Design by Estudi Ribaudí

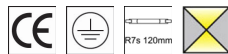


The photograph may not match the reference exactly. Please read the product description to identify the finish.



TECHNICAL CHARACTERISTICS

Type:	Pendant
IP Protection degrees:	IP20
Lampholder:	2 x R7s
Power (W):	R7s 150
Bulb included:	2 x R7s 150
Total power consumption (W):	300
Voltage / Frequency:	220-240V/50-60Hz
Units per box:	4
Net Weight (Kg):	3.475
EAN:	8435111045336

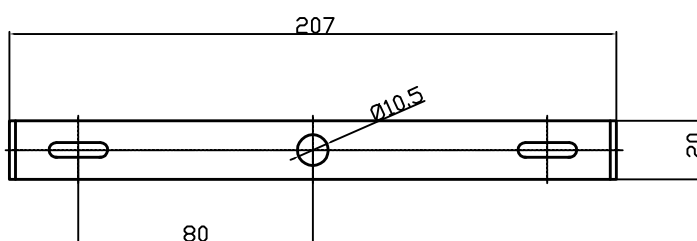
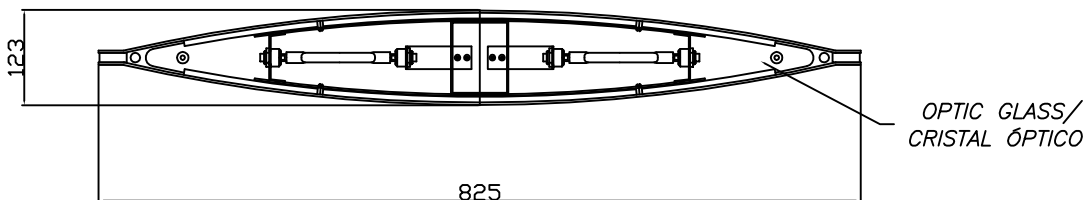
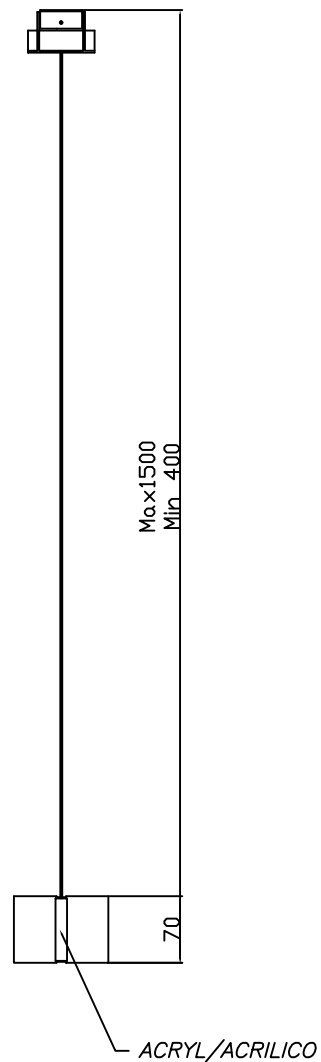
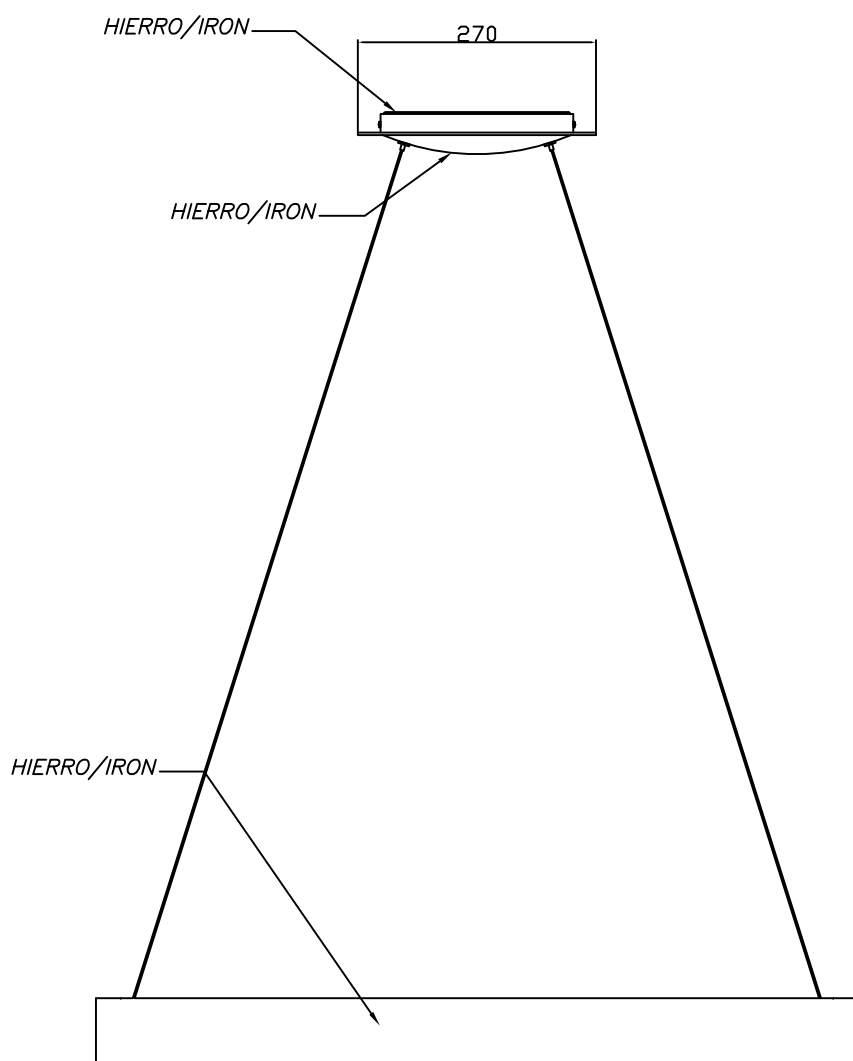


MATERIALS / FINISHES

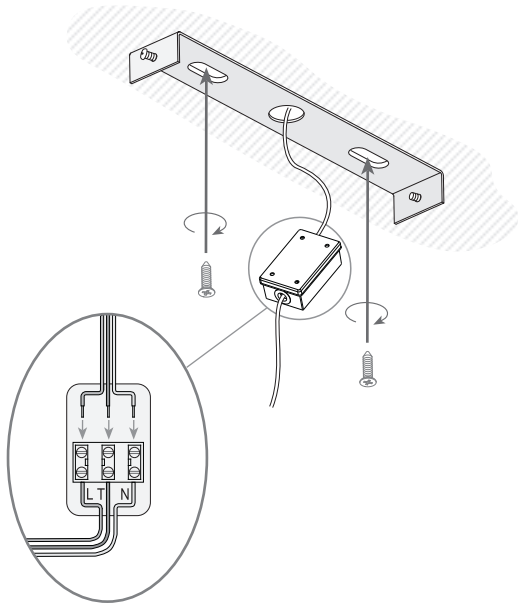
Structure material: Steel
Structure finish: Chrome

Diffuser material: Glass
Diffuser finish: Sandblasted

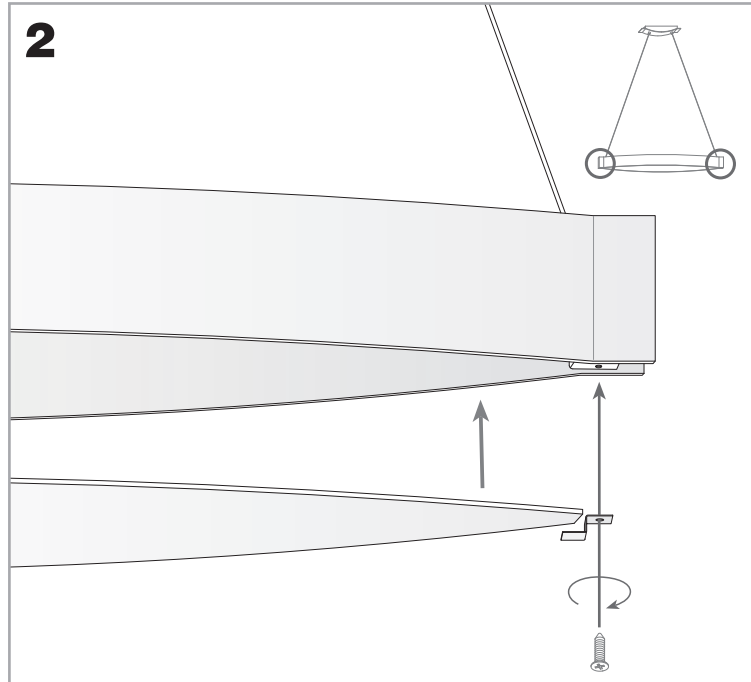
[Download photometric file .ldt / .ies](#)



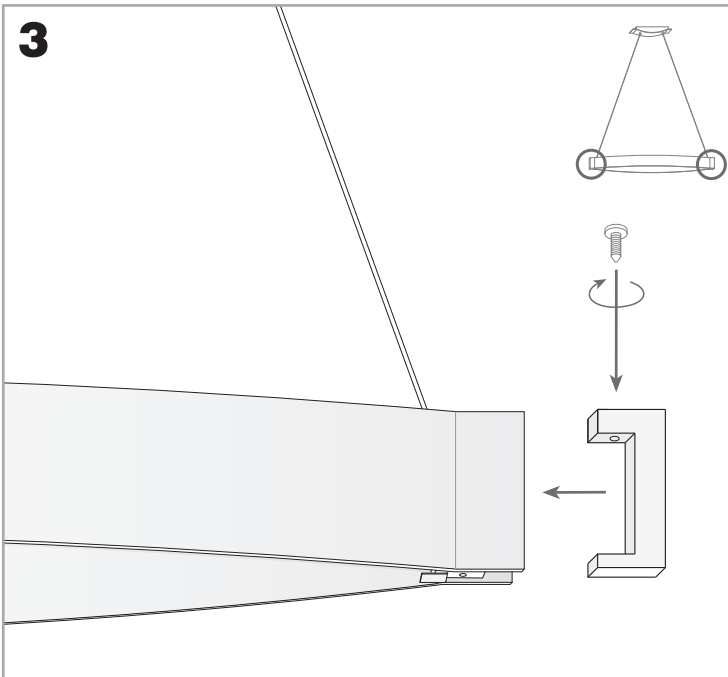
1



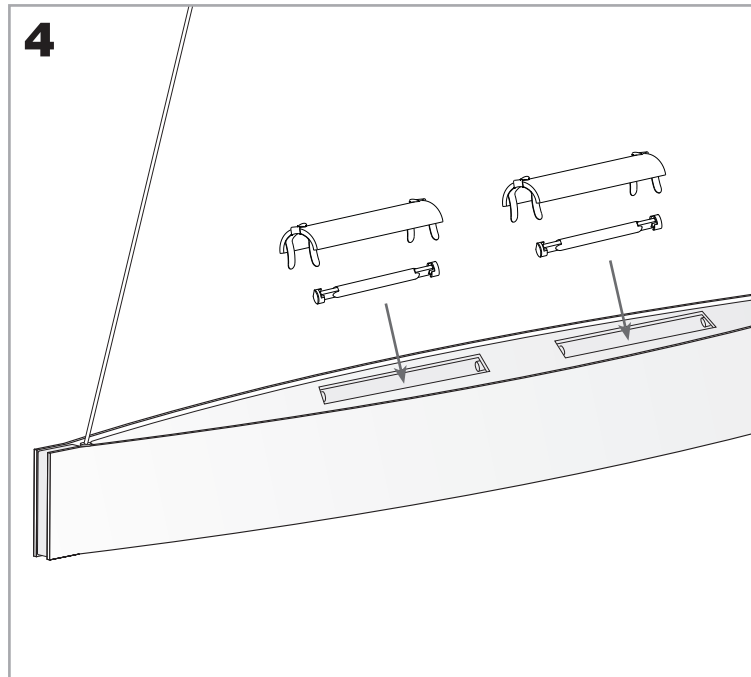
2



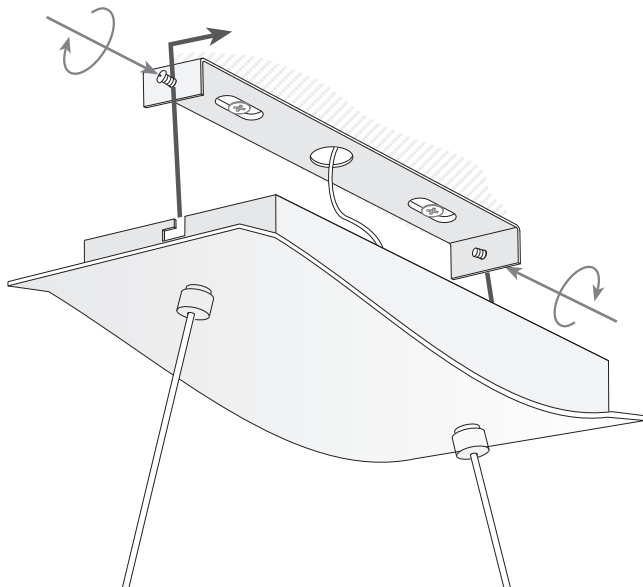
3



4



5



6

