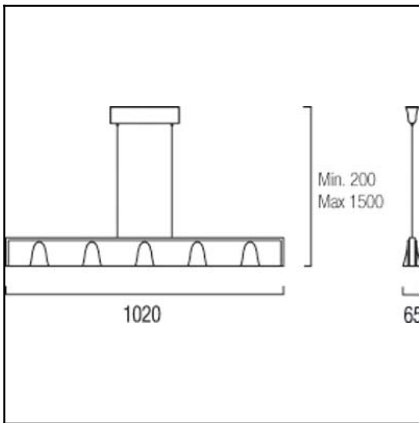


Design by Josep Patsí



The photograph may not match the reference exactly. Please read the product description to identify the finish.



TECHNICAL CHARACTERISTICS

Type:	Pendant
IP Protection degrees:	IP20
Lampholder:	5 x G9
Power (W):	G9 60W
Bulb included:	5 x G9 60W
Total power consumption (W):	300
Voltage / Frequency:	220-240V/50-60Hz
Warranty (Years):	2
Units per box:	6
Net Weight (Kg):	2.93
EAN:	8435111050477,00

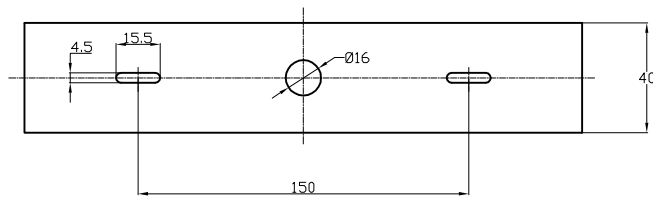
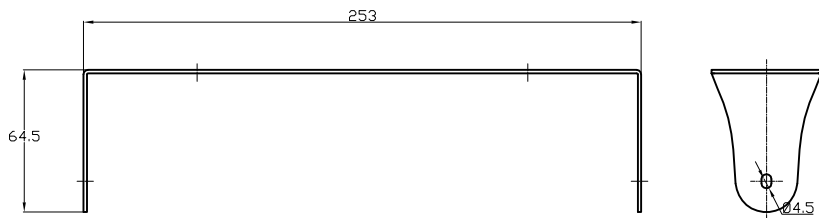
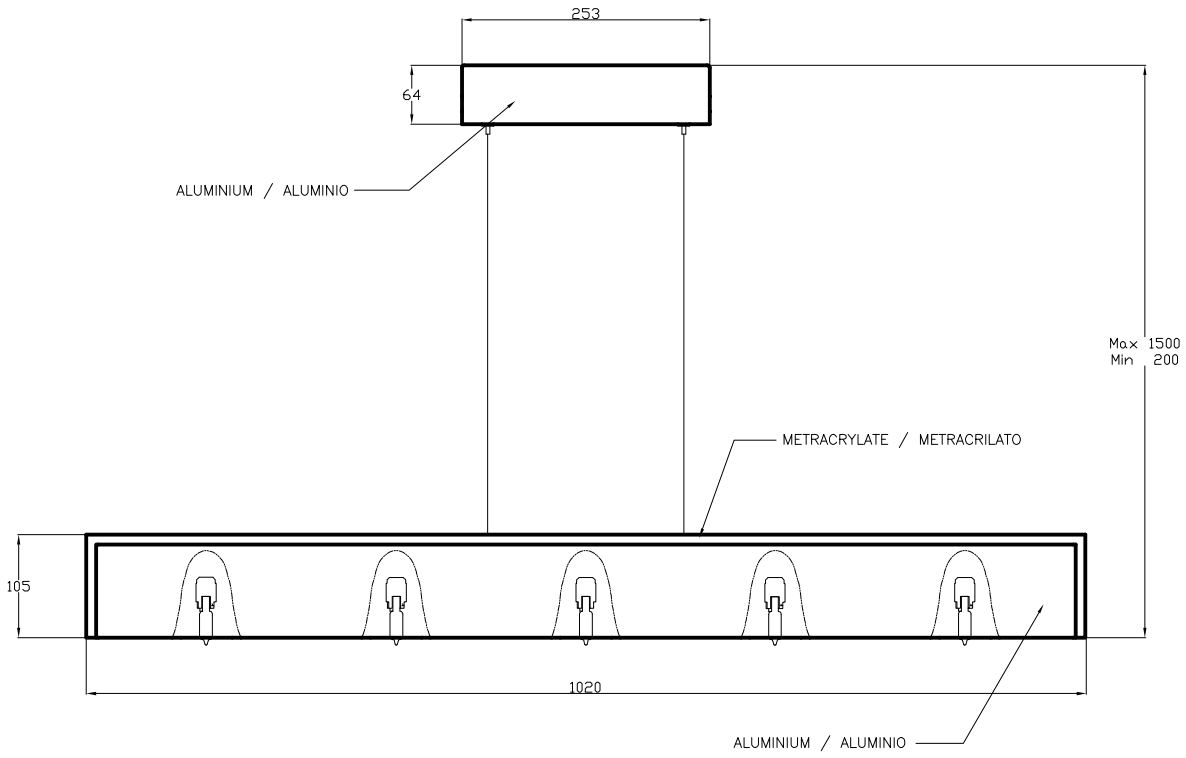


MATERIALS / FINISHES

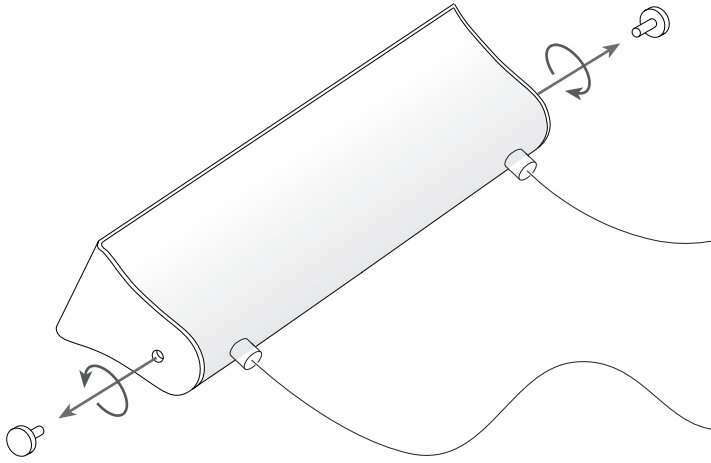
Structure material: Aluminium
Structure finish: Ecobright

Diffuser material: Methacrylate
Diffuser finish: Tinted

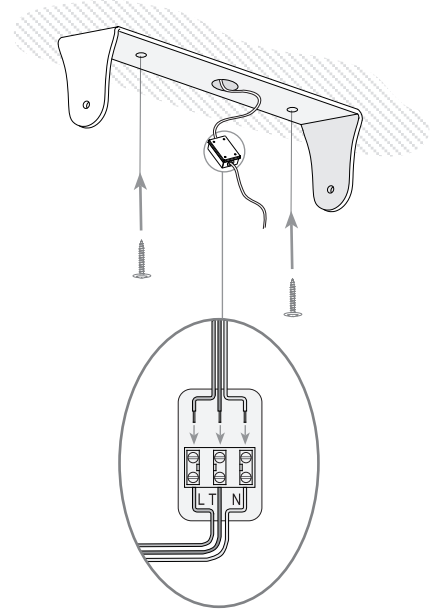
[Download photometric file .ldt / .ies](#)



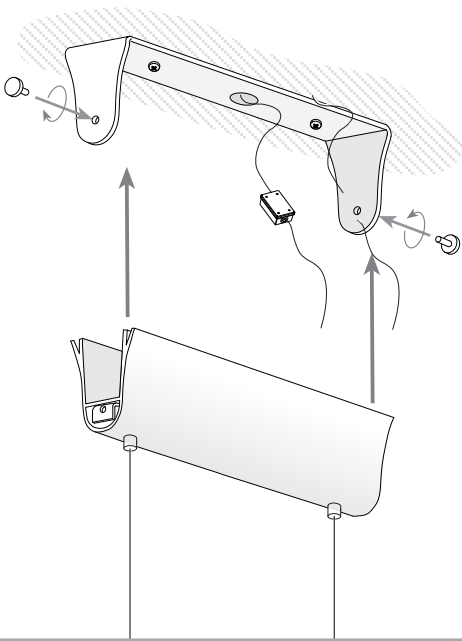
1



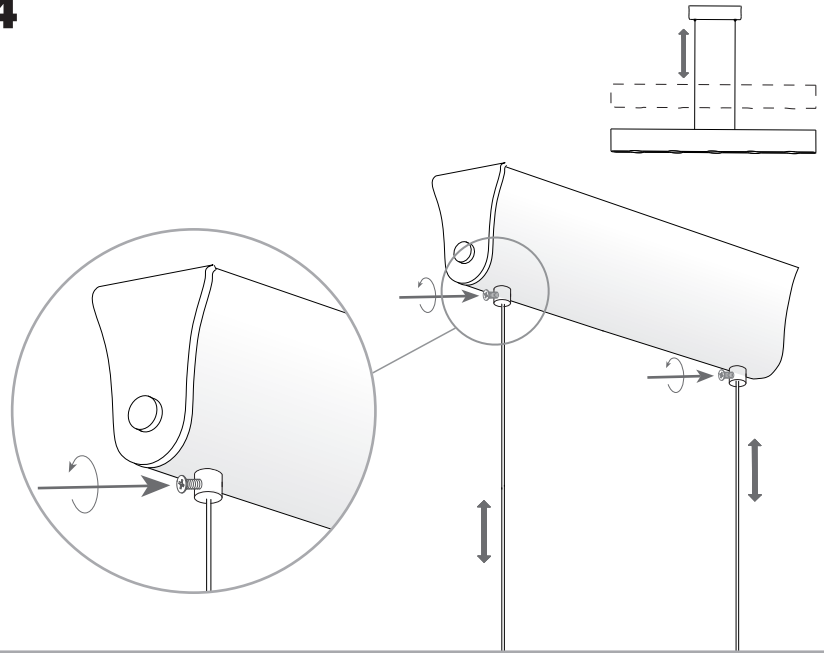
2



3



4



5

