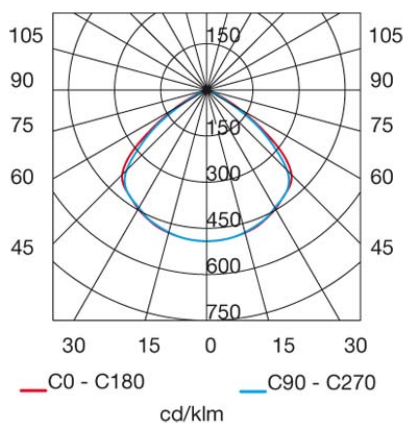
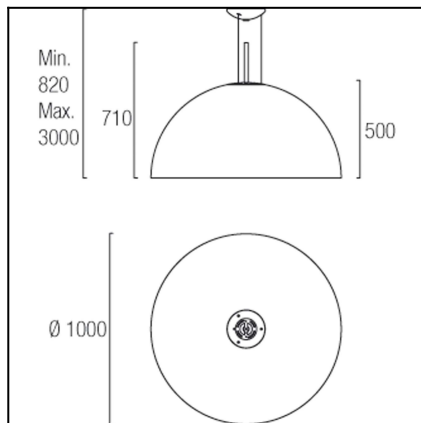


Design by WIS Design



The photograph may not match the reference exactly. Please read the product description to identify the finish.



Download photometric file .ldt /.ies

TECHNICAL CHARACTERISTICS

Type:	Pendant
IP Protection degrees:	IP20
Lampholder:	3 x E27
Power (W):	E27 MAX 23W
Total power consumption (W):	69
Voltage / Frequency:	220-240V/50-60Hz
Warranty (Years):	2
Units per box:	1
Net Weight (Kg):	10
EAN:	8435111062821,00

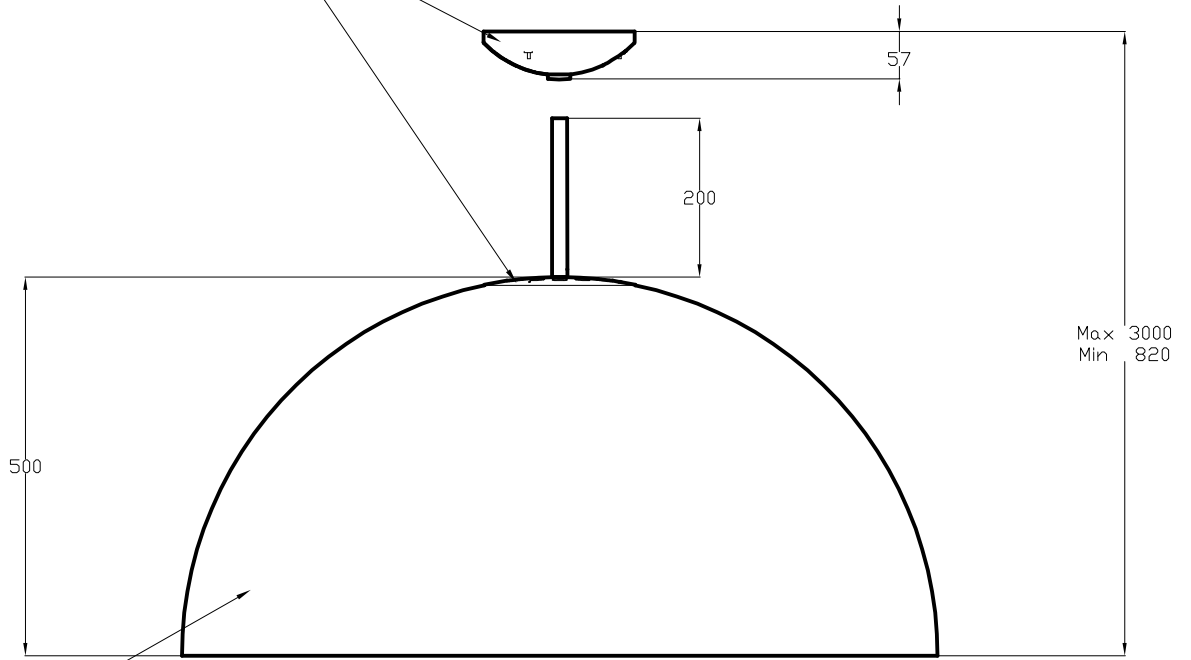


MATERIALS / FINISHES

Structure material: PVC
Structure finish: White lacquered

Diffuser material: Glass
Diffuser finish: Tinted

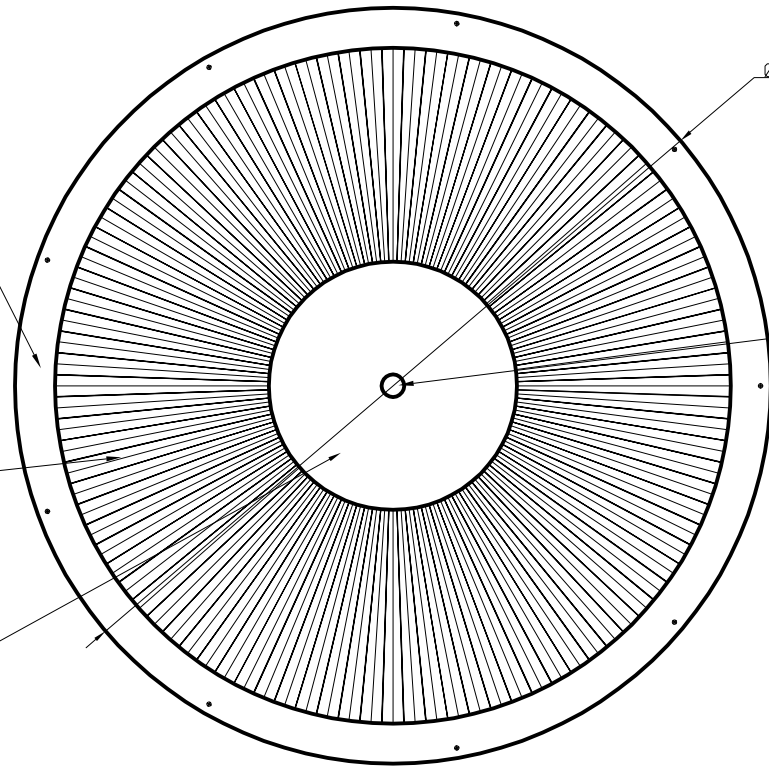
IRON / HIERRO



METRACRILATE /
METRACRILATO

FABRIC & PVC /
TELA I PVC

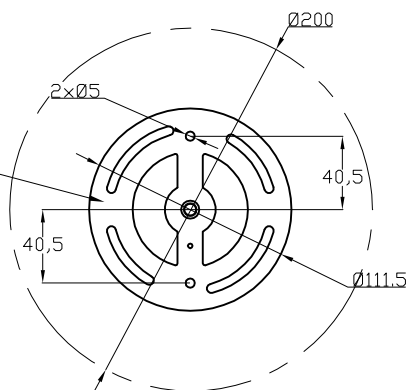
OPTIC GLASS /
CRISTAL ÓPTICO



$\varnothing 1000$

LATÓN / BRASS

IRON / HIERRO



$\varnothing 200$

$2 \times \varnothing 5$

40,5

40,5

$\varnothing 111,5$

