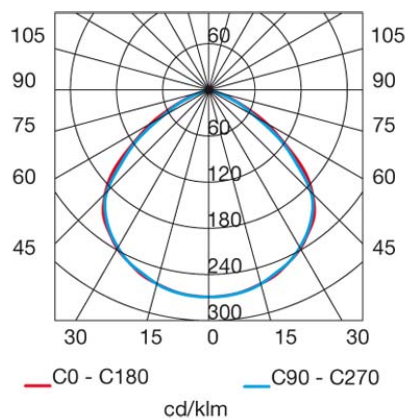
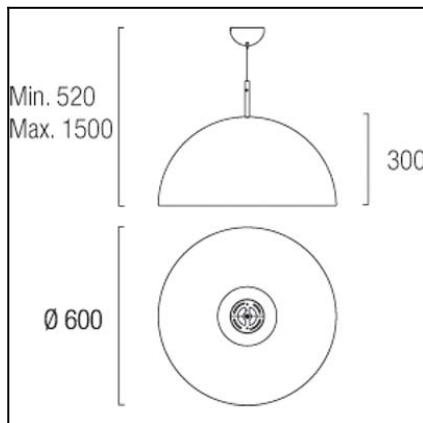


Design by WIS Design



The photograph may not match the reference exactly. Please read the product description to identify the finish.



Download photometric file .ldt /.ies

TECHNICAL CHARACTERISTICS

Type:	Pendant
IP Protection degrees:	IP20
Lampholder:	3 x E14
Power (W):	E14 MAX 11W
Total power consumption (W):	33W
Voltage / Frequency:	220-240V/50-60Hz
Units per box:	1
Net Weight (Kg):	4.2
EAN:	8435111062838



MATERIALS / FINISHES

Structure material: PVC
Structure finish: White lacquered

Diffuser material: Glass
Diffuser finish: Tinted

