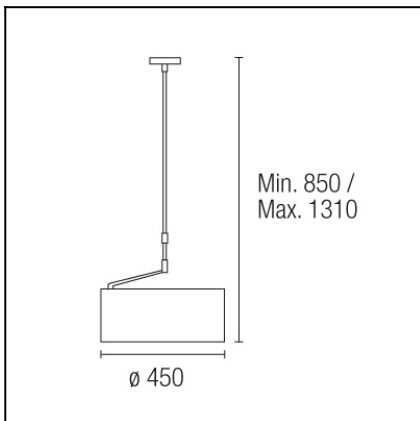


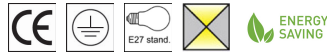


The photograph may not match the reference exactly. Please read the product description to identify the finish.



TECHNICAL CHARACTERISTICS

Type:	Pendant
IP Protection degrees:	IP20
Lampholder:	1 x E27
Power (W):	E27 MAX 150W
Total power consumption (W):	150
Voltage / Frequency:	220-240V/50-60Hz
Units per box:	1
Net Weight (Kg):	1.89
EAN:	8435111065938



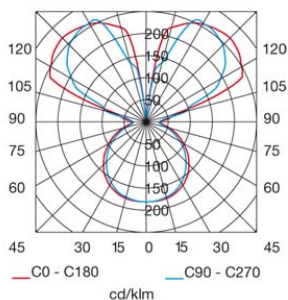
MATERIALS / FINISHES

Structure material: Steel

Diffuser material: Fabric shade

Structure finish: Satin nickel

Diffuser finish: White



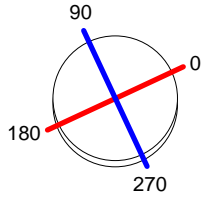
$$\eta = 85,52\%$$

Download photometric file .ldt / .ies

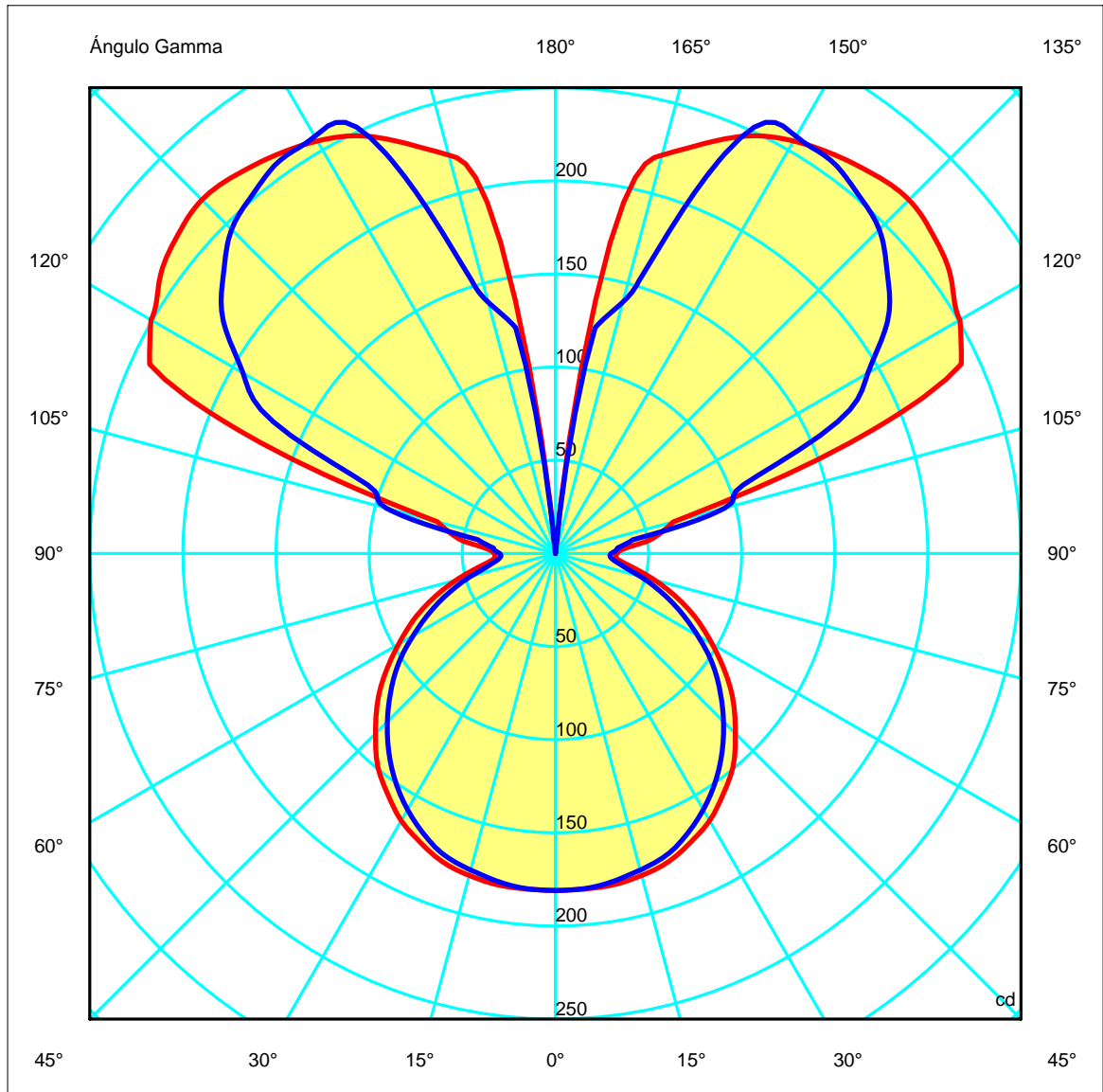
Luminaria		Ensayo		Lámpara	
Código	00-2817-81-14	Código	00-2817-81-14	Código	KRIPTON 150W E27
Nombre	Colgante TWIST 150W E27 opal	Nombre	Colgante TWIST 150W E27 opal	Número	1
Familia	- LEDS-C4	Fecha	20-07-2010	Posición	Universal
Eficiencia	85.52%	Sist. de Coorden.	C-G	Flujo Total	1940.00 lm
Valor Máximo	271.01 cd	Posición	C=15.00 G=140.00	Bisimétrico	

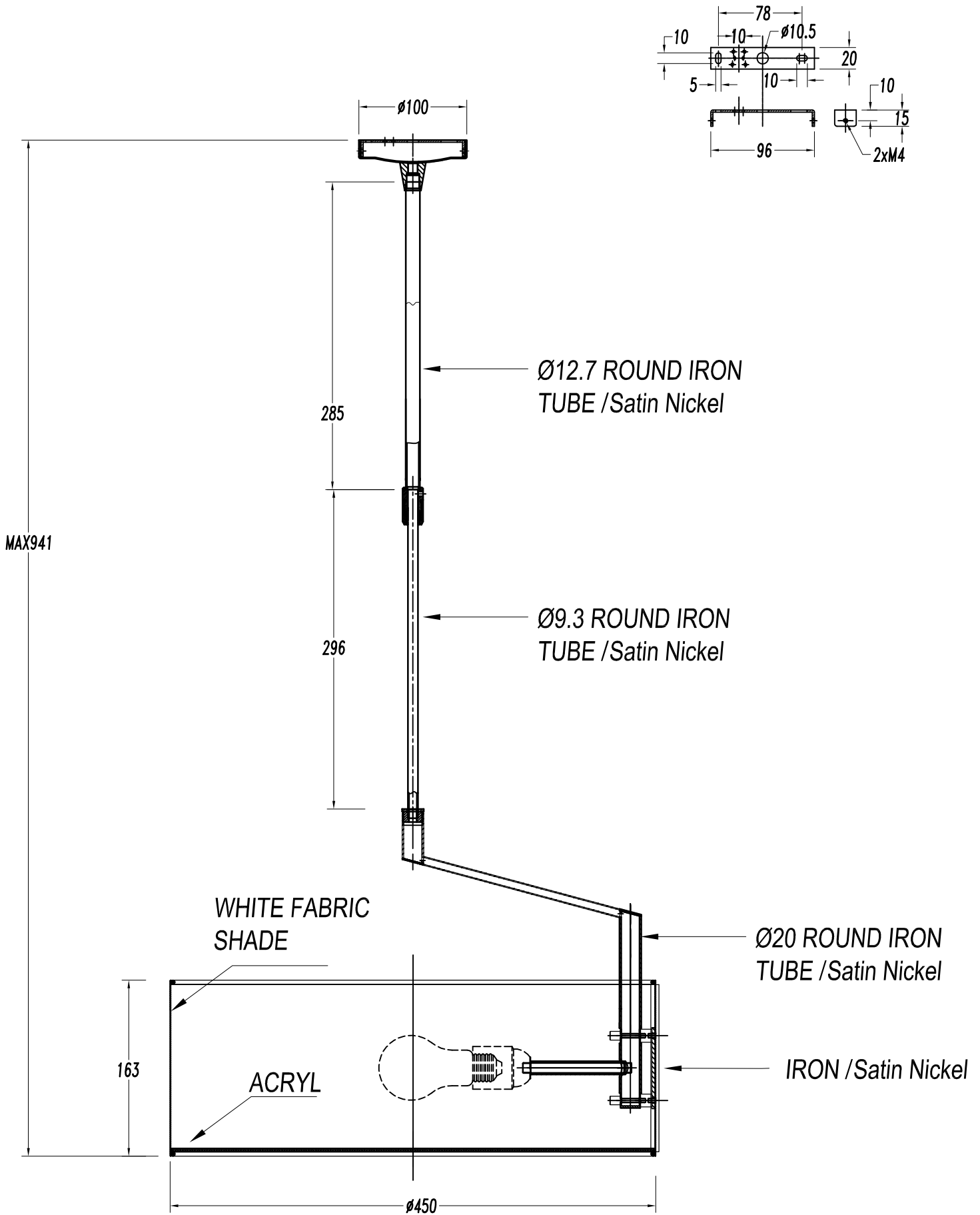
Diam=450mm

Semiplanos C



180.0 ——— 0.0
270.0 ——— 90.0

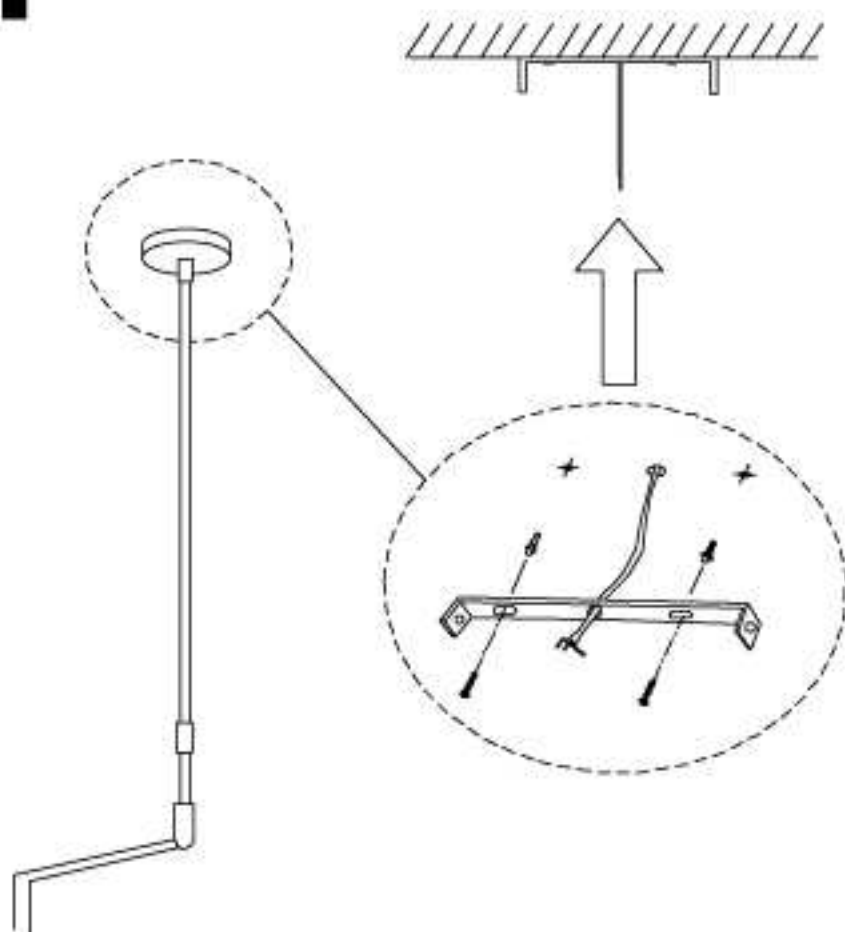




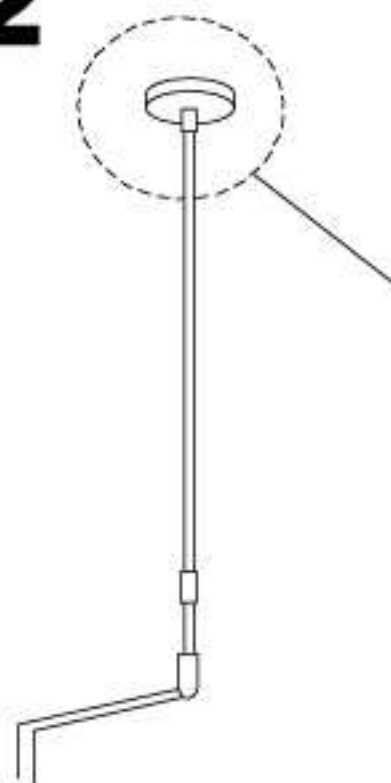


LED S-C4

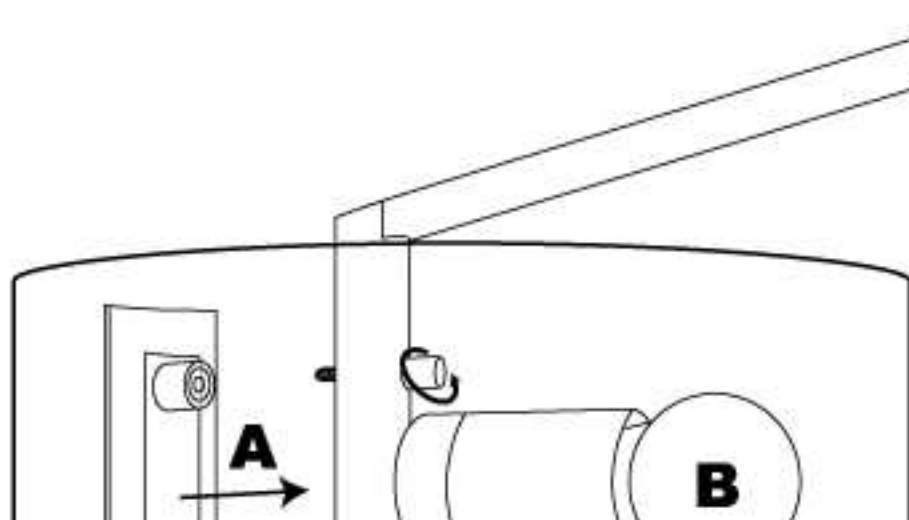
1



2



4



5

