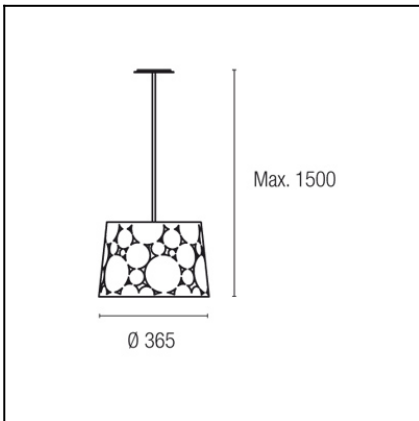


Design by Estudi Ribaudí



The photograph may not match the reference exactly. Please read the product description to identify the finish.



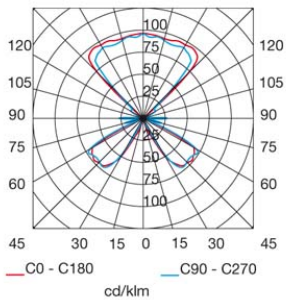
TECHNICAL CHARACTERISTICS

Type:	Pendant
IP Protection degrees:	IP20
Lampholder:	1 x E27
Power (W):	E27 MAX 100W
Total power consumption (W):	100
Voltage / Frequency:	220-240V/50-60Hz
Units per box:	1
Net Weight (Kg):	2.115
EAN:	8435111073711



MATERIALS / FINISHES

Structure material:	Steel	Diffuser material:	Steel shade
Structure finish:	Matt black Chrome	Diffuser finish:	Black



$$\eta = 44,04\%$$

Download photometric file .ldt / .ies

Luminaria Código 00-4343-05-05 Nombre Colgante 1x100W incand. E27 Familia - LEDS-C4		Ensayo Código 25-4343-05-05 Nombre Sobremesa 1x100W incand. E27 Fecha 25-02-2010		Lámpara Código STANDARD GOC 100W Número 1 Posición	
Eficiencia	44.04%	Sist. de Coorden.	C-G	Flujo Total	930.00 lm
Valor Máximo	97.27 cd	Posición	C=0.00 G=145.00	Bisimétrico	

Diam=365mm

Semiplanos C

