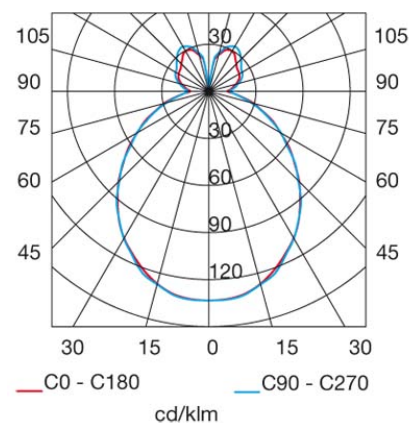
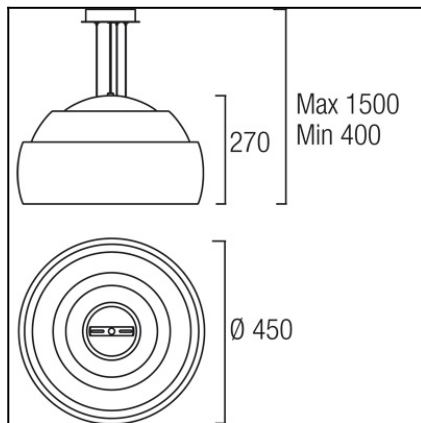


Design by Josep Patsí



The photograph may not match the reference exactly. Please read the product description to identify the finish.



Download photometric file .ldt /.ies

### TECHNICAL CHARACTERISTICS

Type:	Pendant
IP Protection degrees:	IP20
Lampholder:	1 x E27
Power (W):	E27 MAX 150W
Total power consumption (W):	150
Voltage / Frequency:	230V/50-60Hz
Units per box:	1
Net Weight (Kg):	4.62
EAN:	8435111073575



### MATERIALS / FINISHES

**Structure material:** Steel  
**Structure finish:** Chrome

**Diffuser material:** Glass  
**Diffuser finish:** Triplex opal glass

Luminaria		Ensayo		Lámpara	
Código	00-4348-21-F9	Código	00-4348-21-F9	Código	STANDARD GOC 100W
Nombre	Colgante 1x100W incandesc. E27	Nombre	Colgante 1x100W incandesc. E27	Número	1
Familia	- LEDS-C4	Fecha	26-02-2010	Posición	
Eficiencia	55.24%	Sist. de Coordin.	C-G	Flujo Total	930.00 lm
Valor Máximo	134.10 cd	Posición	C=30.00 G=5.00	Bisimétrico	

Diam=440mm

Semiplanos C

180.0 ——— 0.0  
 270.0 ——— 90.0

