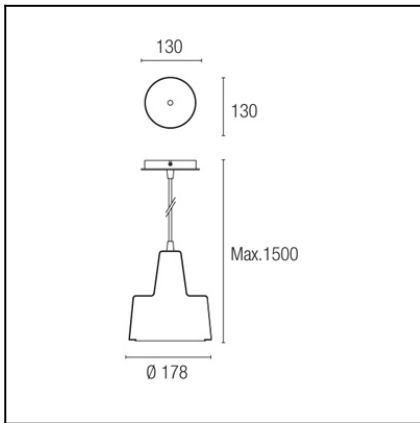


Design by Nahtrang Design

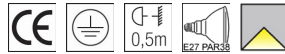


The photograph may not match the reference exactly. Please read the product description to identify the finish.



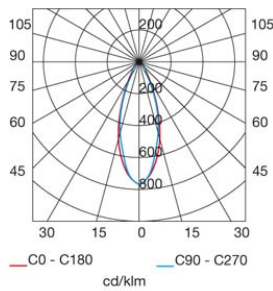
TECHNICAL CHARACTERISTICS

Type:	Pendant
IP Protection degrees:	IP20
Lampholder:	1 x E27/PAR-38
Power (W):	E27/PAR-38 MAX 60 W
Total power consumption (W):	60
Voltage / Frequency:	220-240V/50-60Hz
Units per box:	4
Net Weight (Kg):	0.63
EAN:	8435111074114



MATERIALS / FINISHES

Structure material: Steel
Structure finish: Black



$\eta = 94,93\%$

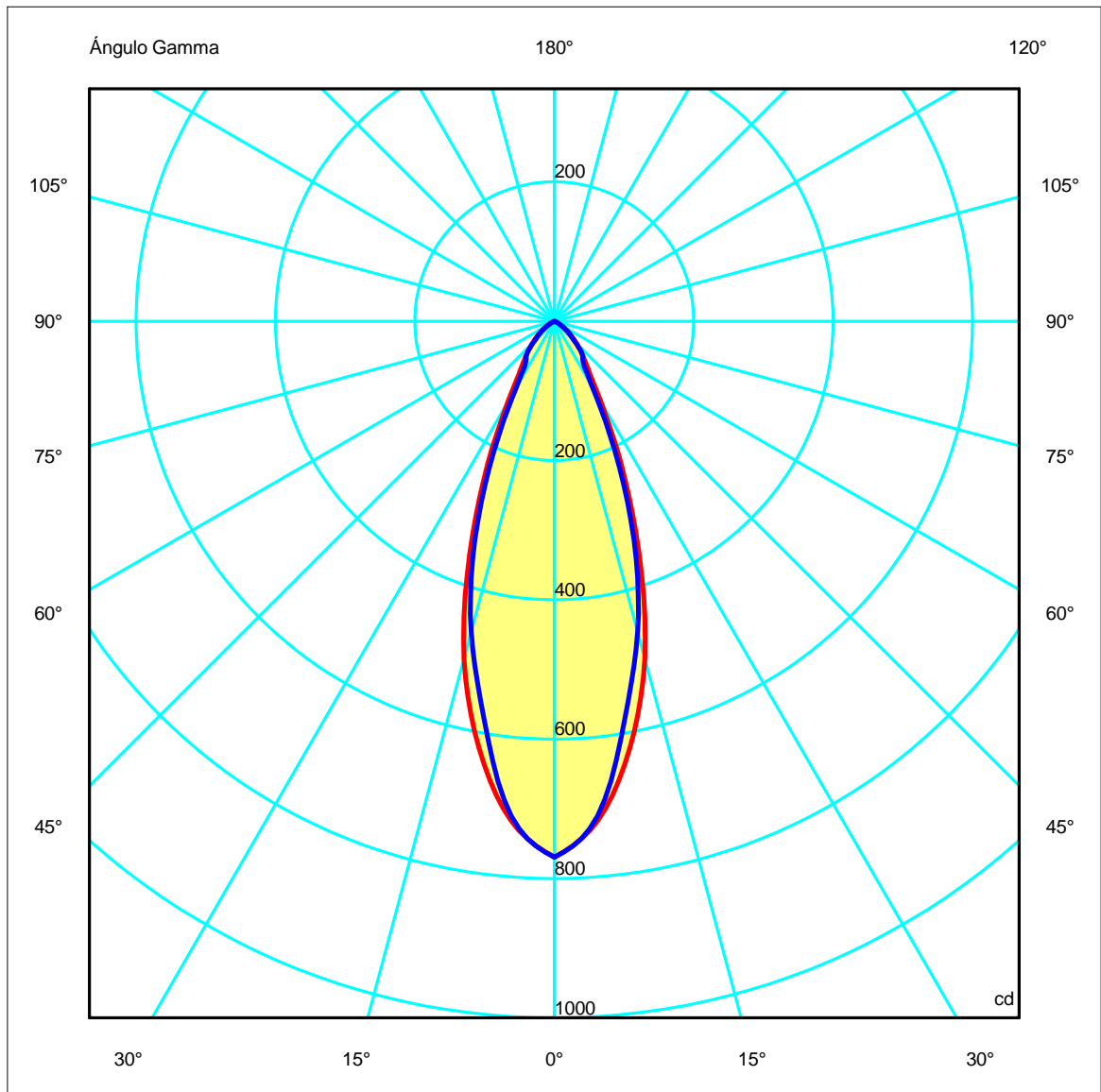
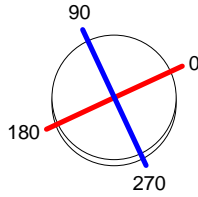
Download photometric file .ldt /.ies

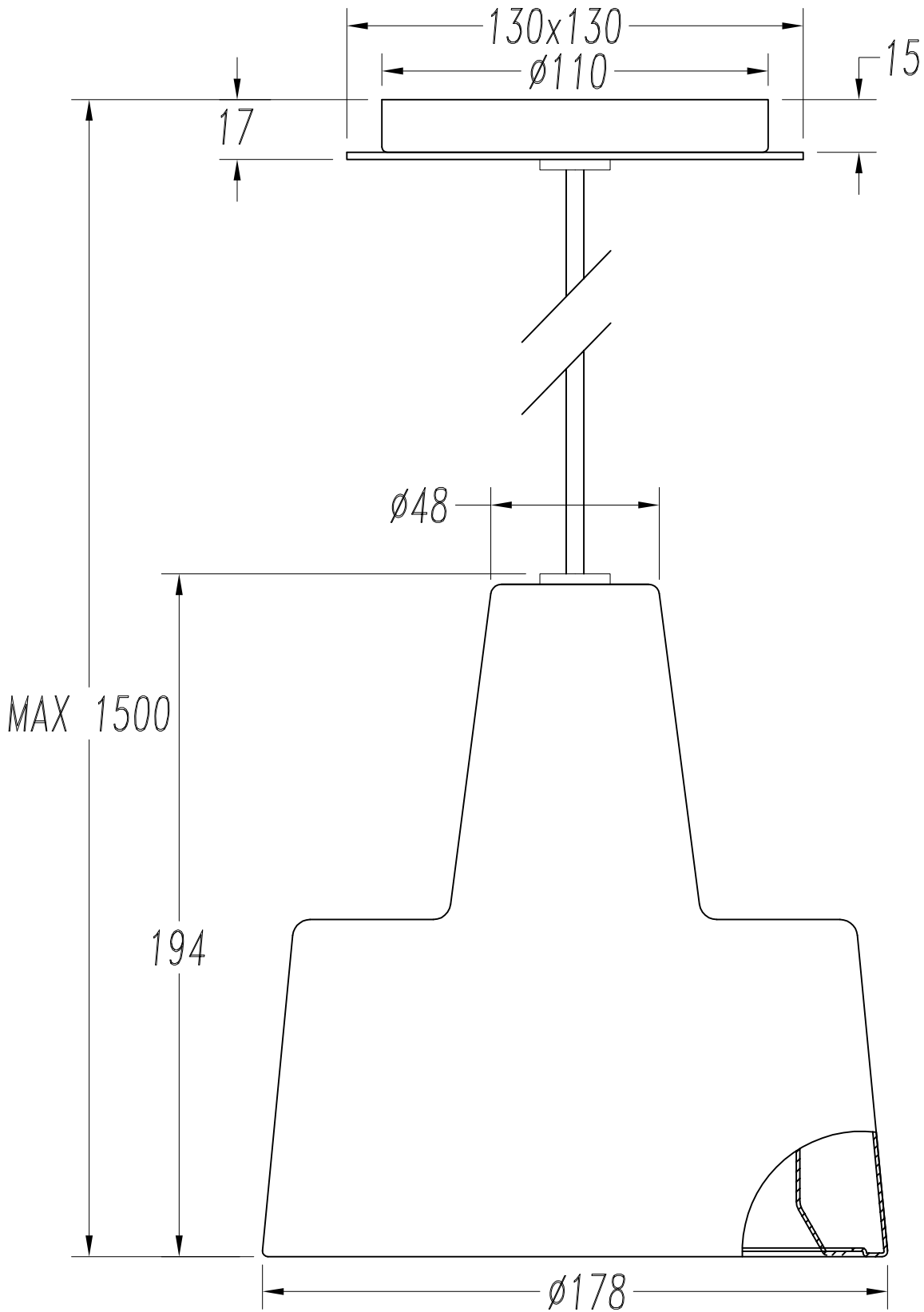
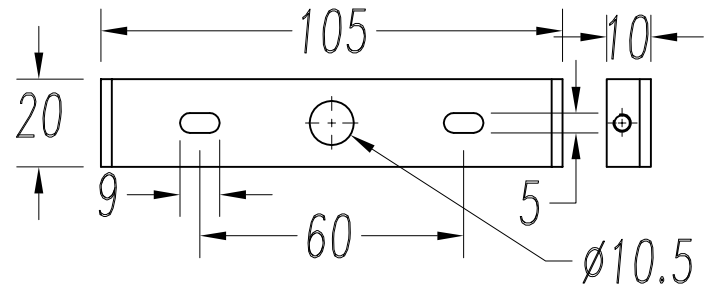
Luminaria		Ensayo		Lámpara	
Código 00-4350-05-05		Código 00-4350-05-05		Código CONCENTRA PAR38 60	
Nombre Aplique ZOE 50W PAR38 E27		Nombre Aplique ZOE 50W PAR38 E27		Número 1	
Familia - LEDS-C4		Fecha 18-03-2010		Posición	
Eficiencia	94.93%	Sist. de Coorden.	C-G	Flujo Total	414.00 lm
Valor Máximo	769.21 cd	Posición	C=0.00 G=0.00	Bisimétrico	

Diam=178mm

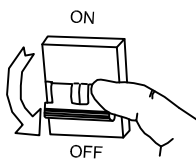
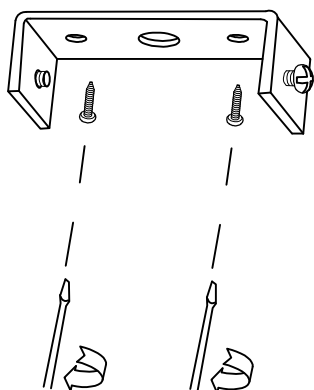
Semiplanos C

180.0 ——— 0.0
 270.0 ——— 90.0

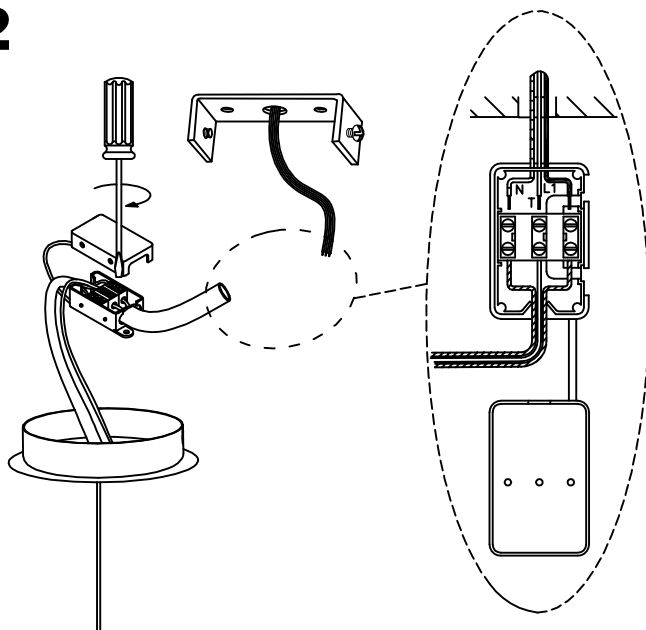




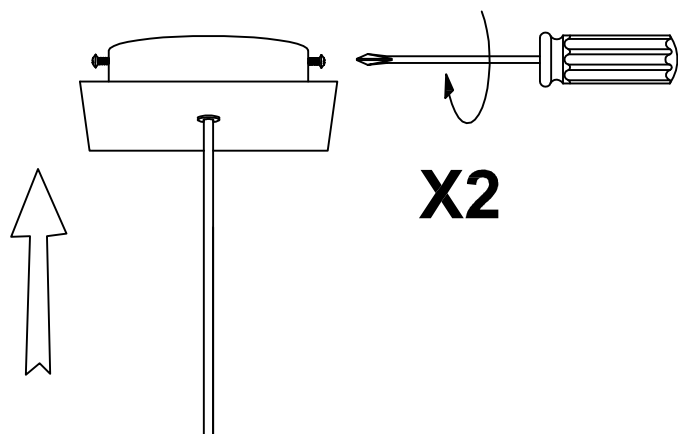
1



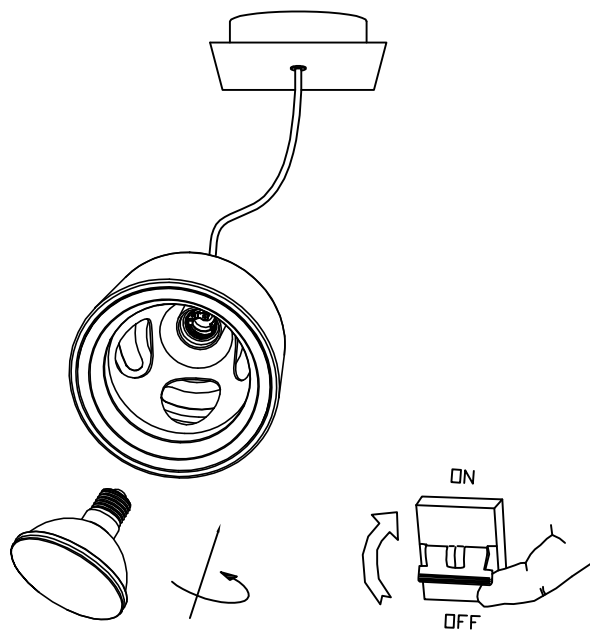
2



3



4



5

