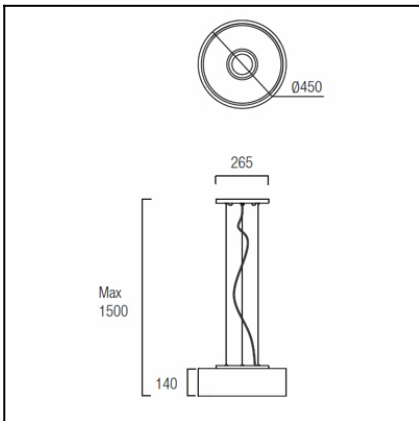


**Design by Nahtrang Design**


The photograph may not match the reference exactly. Please read the product description to identify the finish.



[Download photometric file .ldt / .ies](#)

**TECHNICAL CHARACTERISTICS**

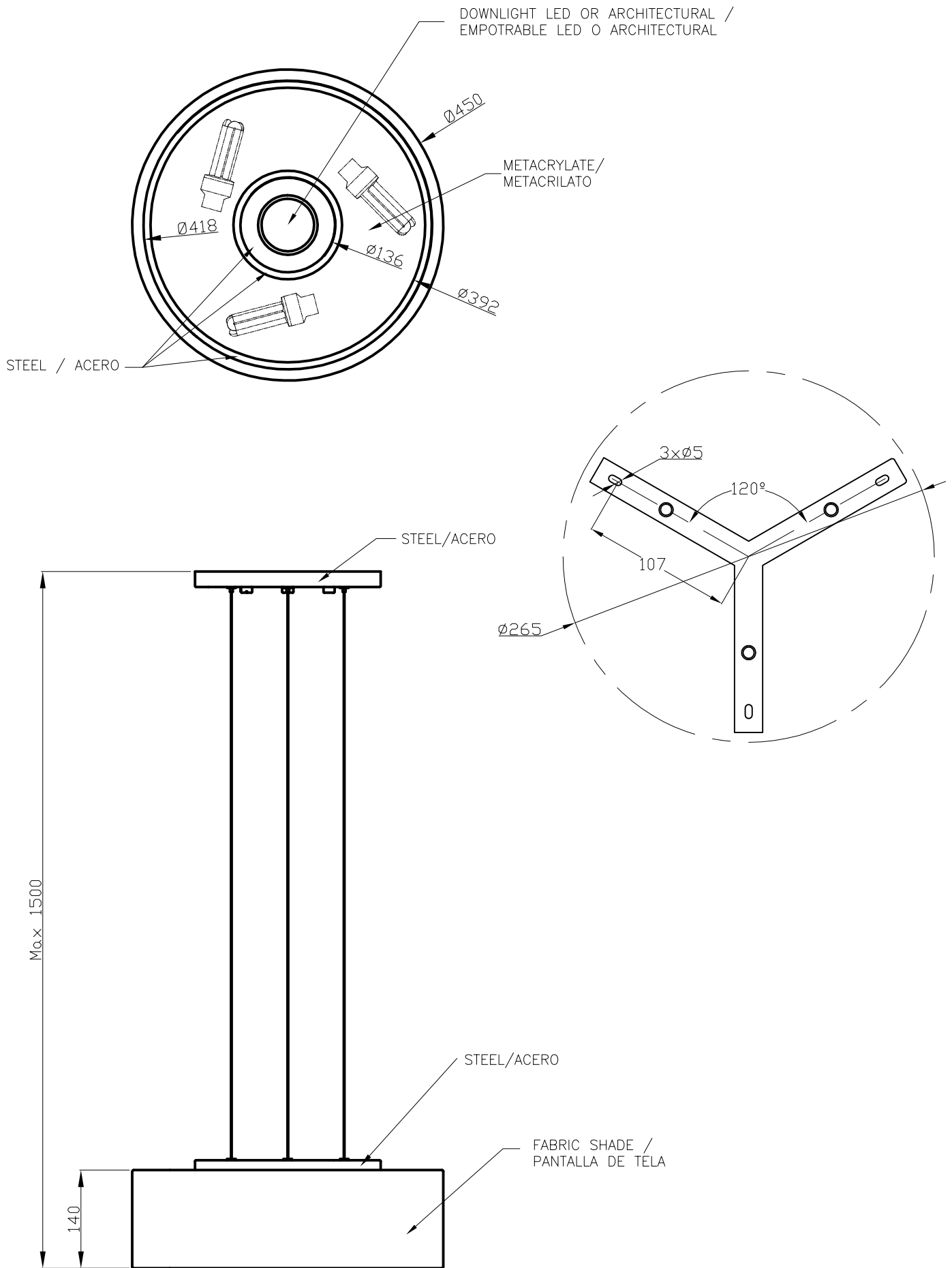
Type:	Pendant
IP Protection degrees:	IP20
Lampholder:	3 x E27 1 x GU5.3
Power (W):	E27 23W GU5.3 50W
Voltage / Frequency:	230V/50-60Hz
Warranty (Years):	2
Units per box:	1
Net Weight (Kg):	4.855
EAN:	0,00


**MATERIALS / FINISHES**

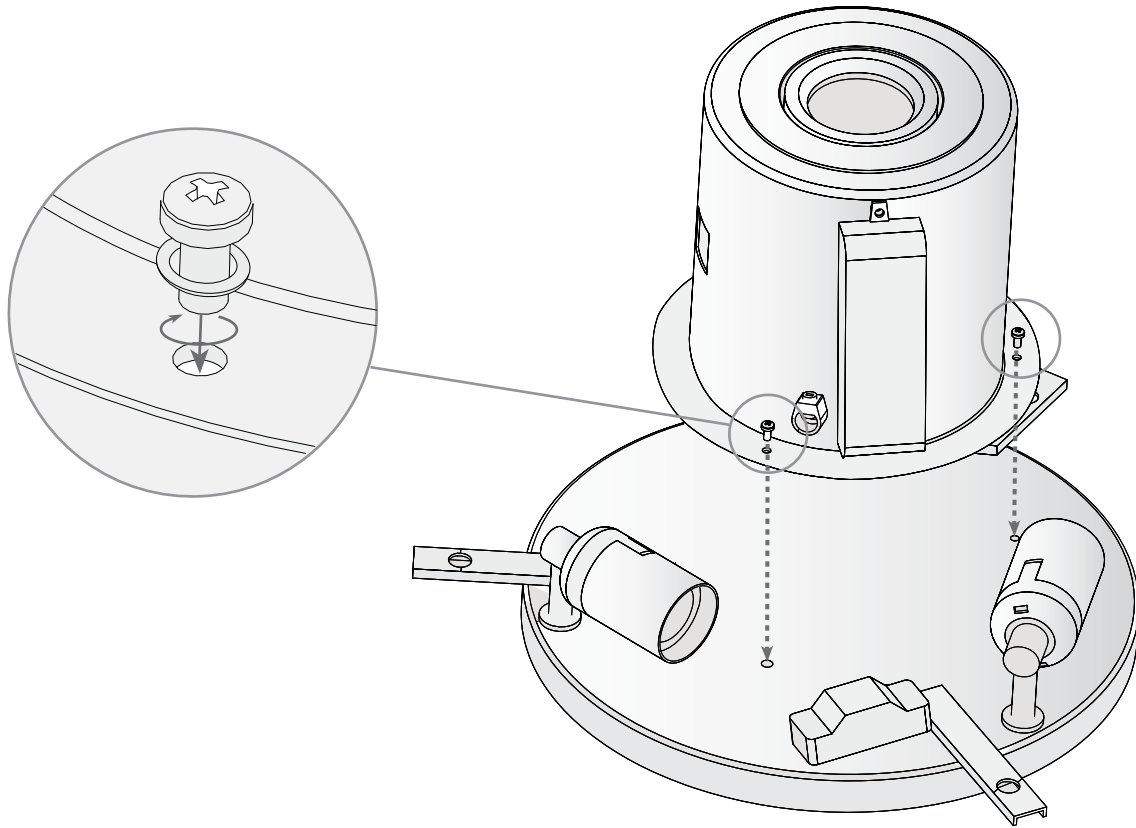
<b>Structure material:</b> Steel	<b>Diffuser material:</b> Fabric shade Methacrylate
<b>Structure finish:</b> Chrome	<b>Diffuser finish:</b> Black Opal

**GEAR**

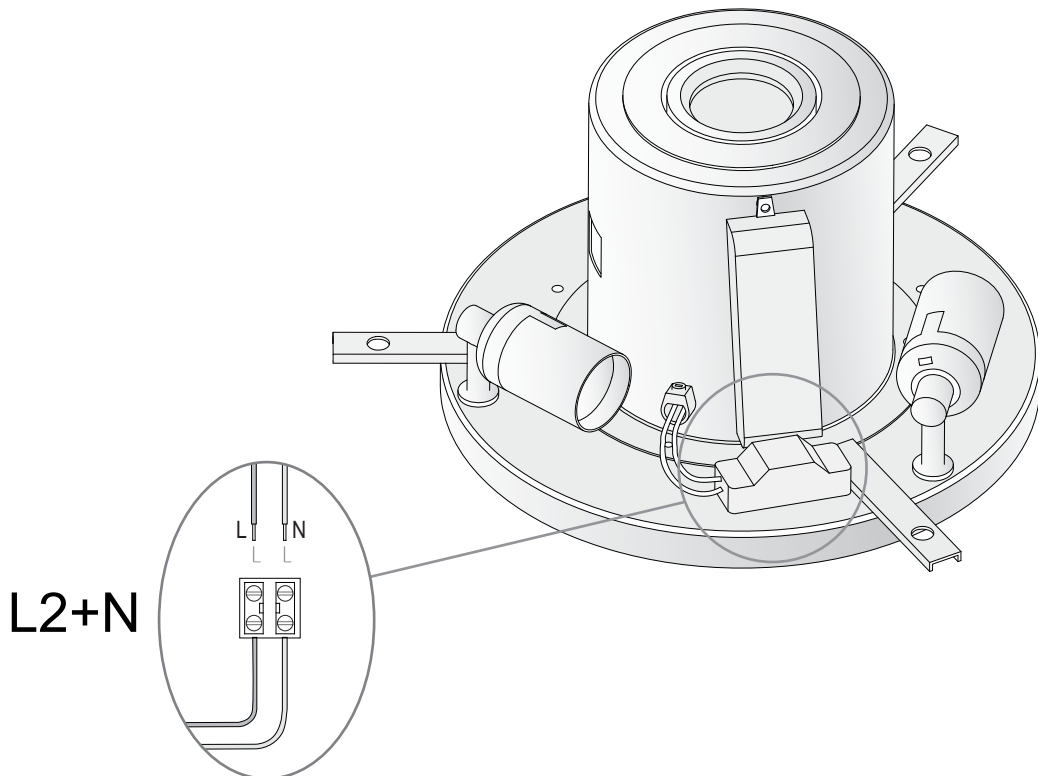
Gear included: Yes, electronic



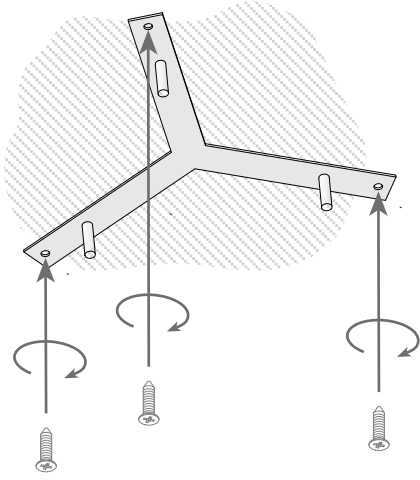
1A



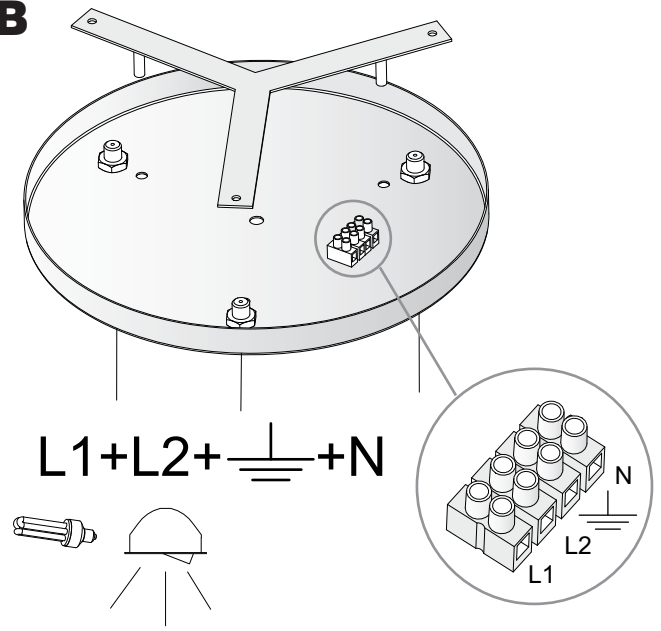
1B



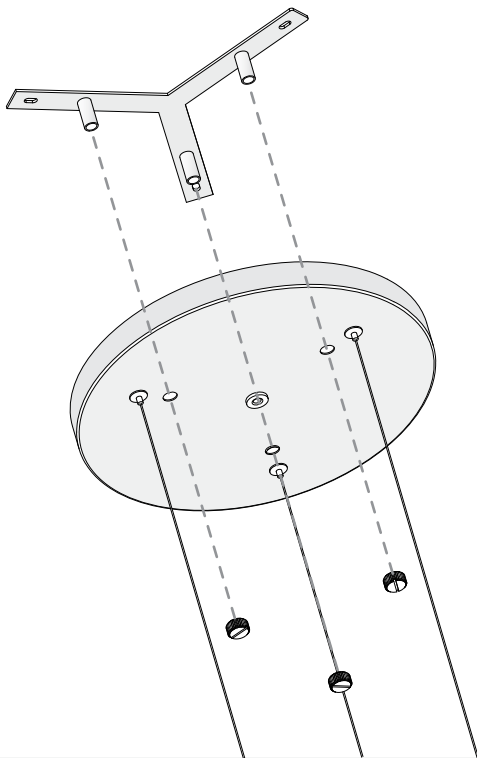
2A



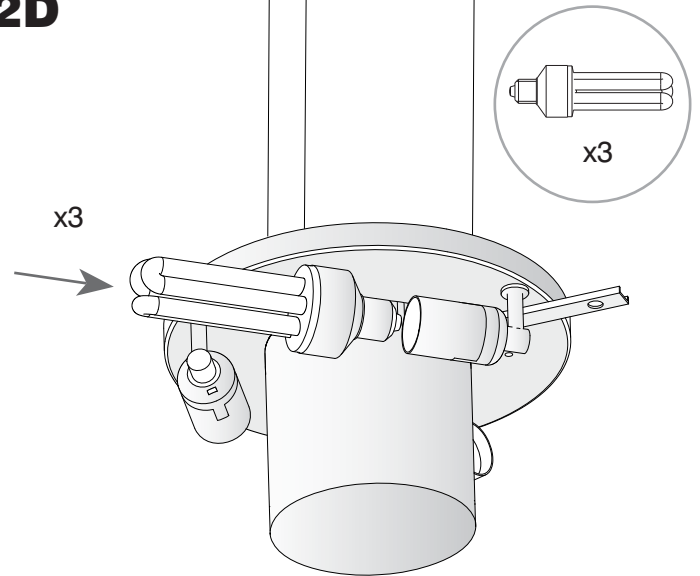
2B



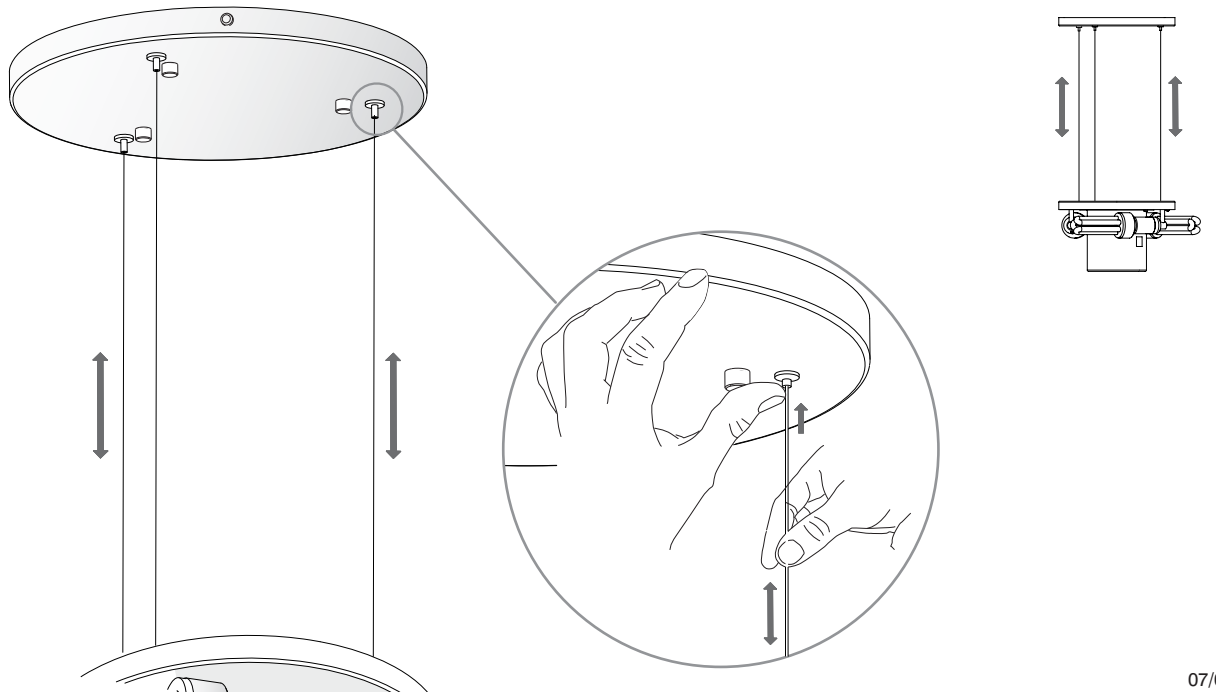
2C



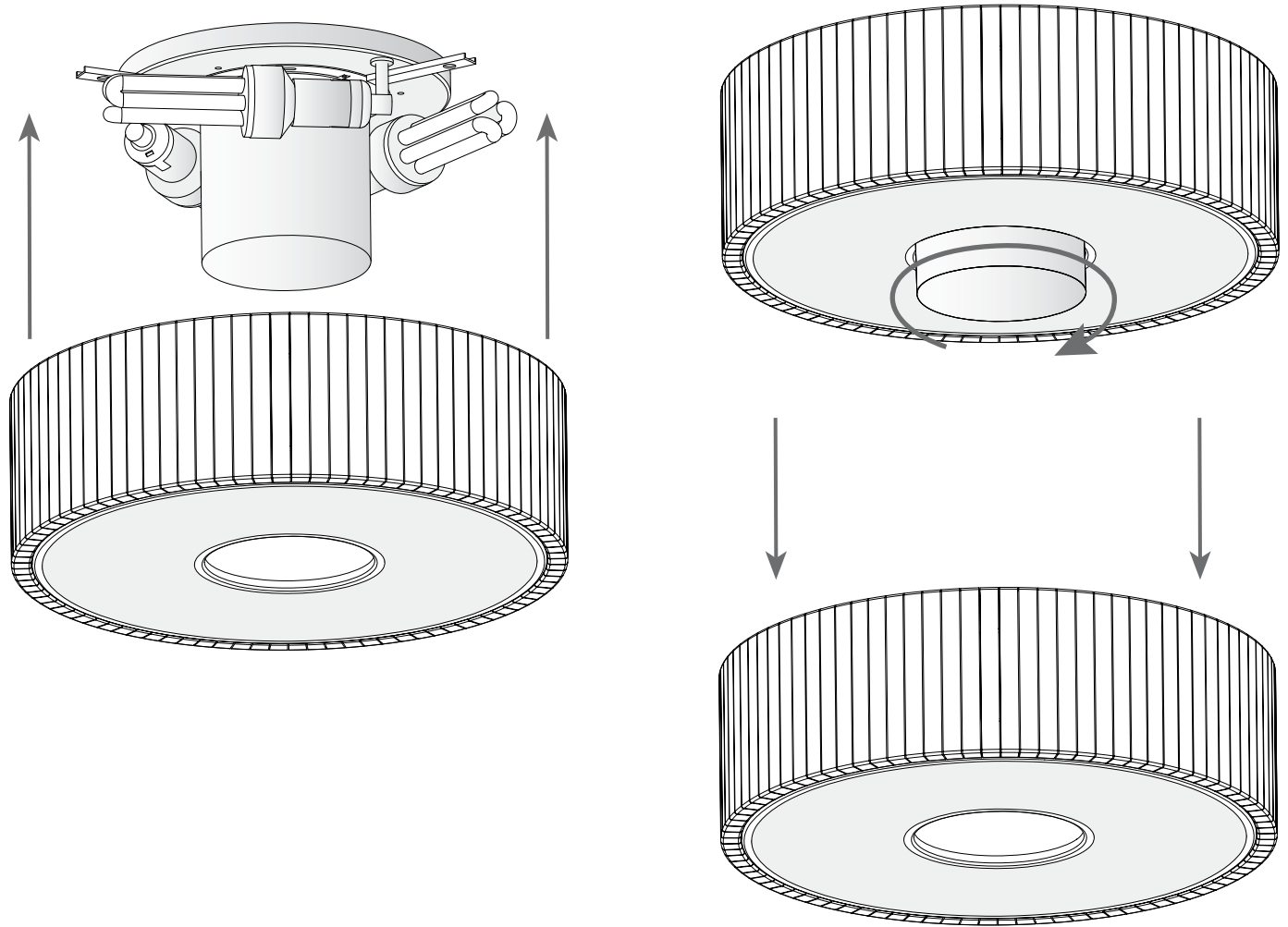
2D



2E



3A



3B

