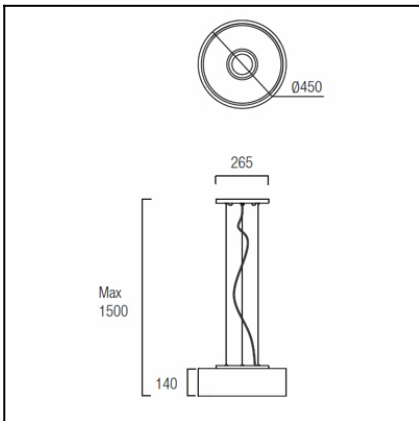


**Design by Nahtrang Design**

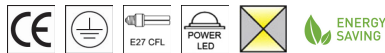

The photograph may not match the reference exactly. Please read the product description to identify the finish.



Download photometric file .ldt / .ies

**TECHNICAL CHARACTERISTICS**

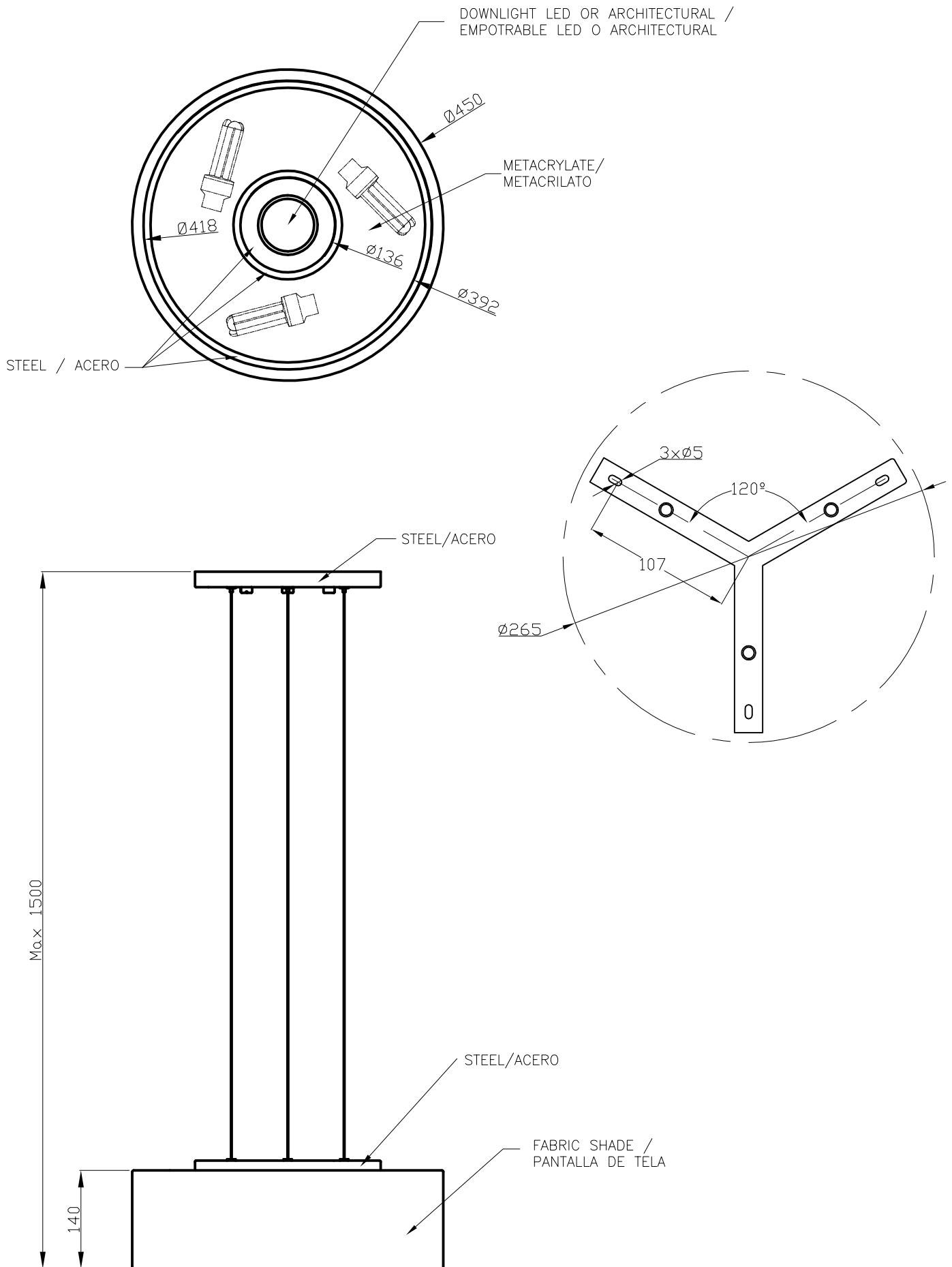
Type:	Pendant
IP Protection degrees:	IP20
Lampholder:	3 x E27 1 x LED Cree. Warm white (<3700 K)
Power (W):	E27 23W 3W/350mA
Voltage / Frequency:	230V/50-60Hz
Warranty (Years):	2
Option to extend the guarantee:	Yes, 5 years
Units per box:	1
Net Weight (Kg):	4.785
EAN:	0,00


**MATERIALS / FINISHES**

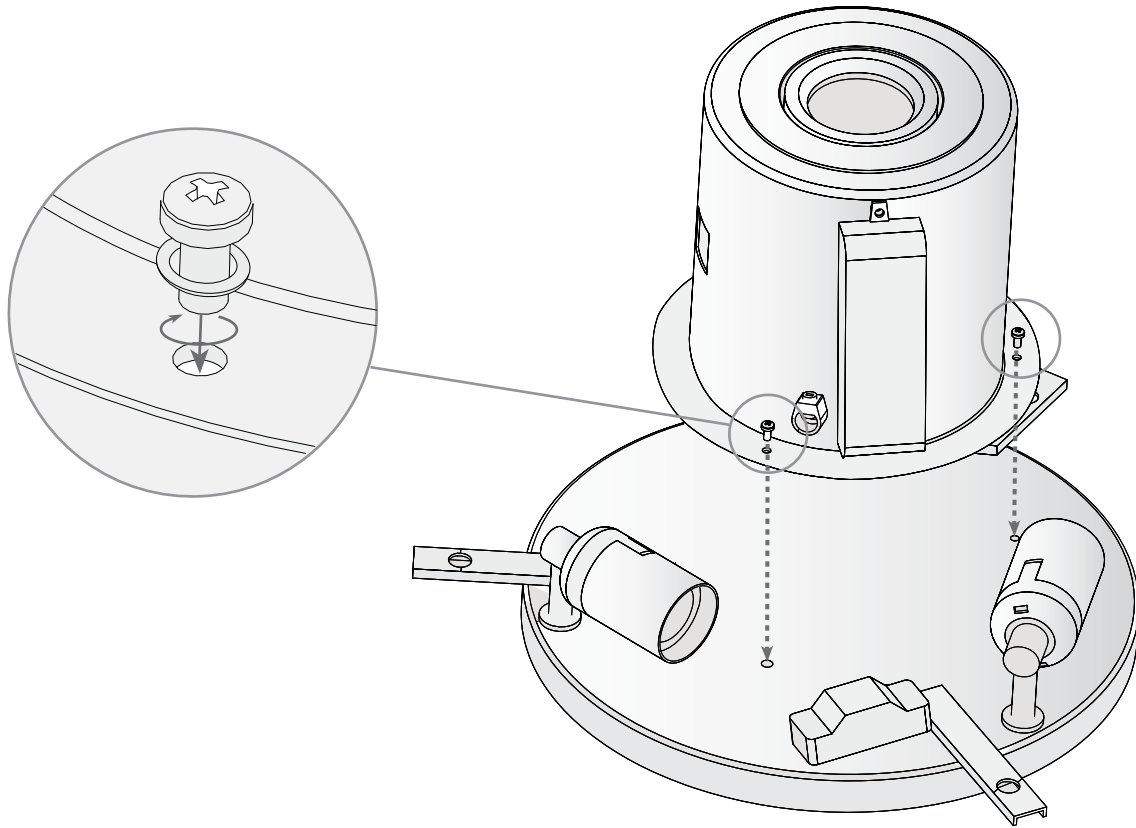
<b>Structure material:</b> Steel	<b>Diffuser material:</b> Fabric shade Methacrylate
<b>Structure finish:</b> Chrome	<b>Diffuser finish:</b> White Opal

**GEAR**

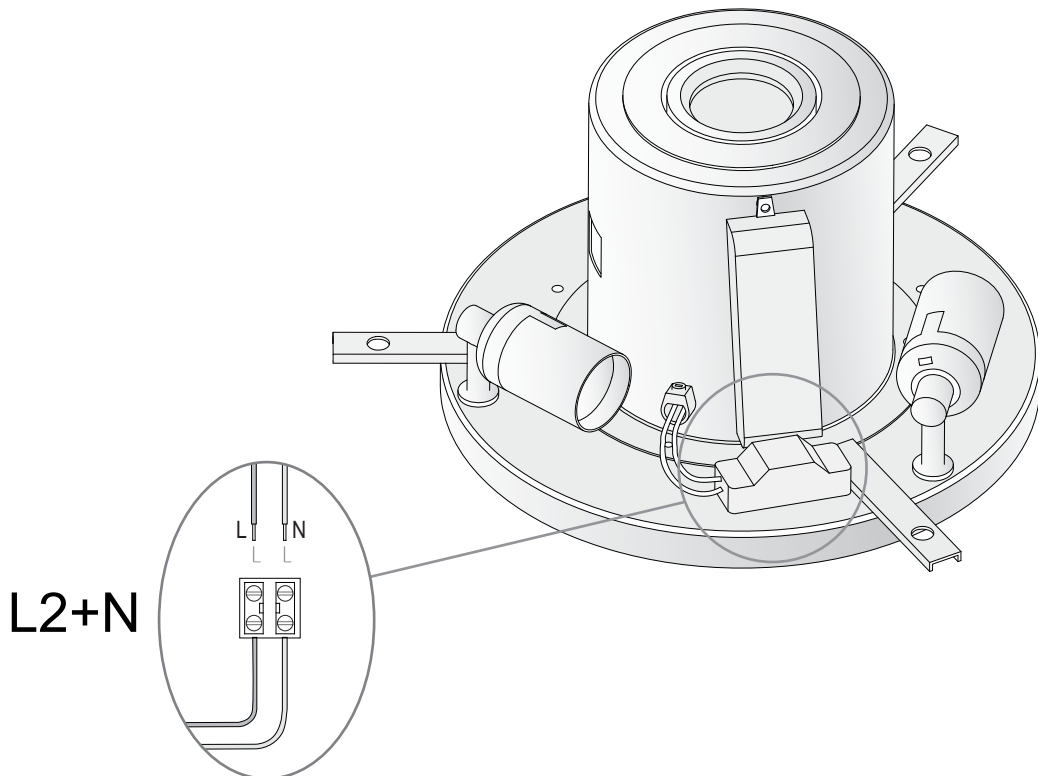
Multi-voltage electronic gear included (110-240 V / 50-60 Hz)



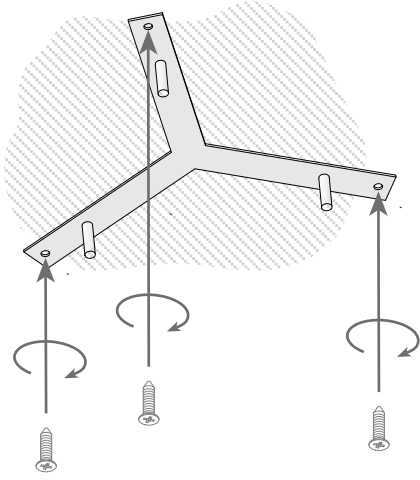
**1A**



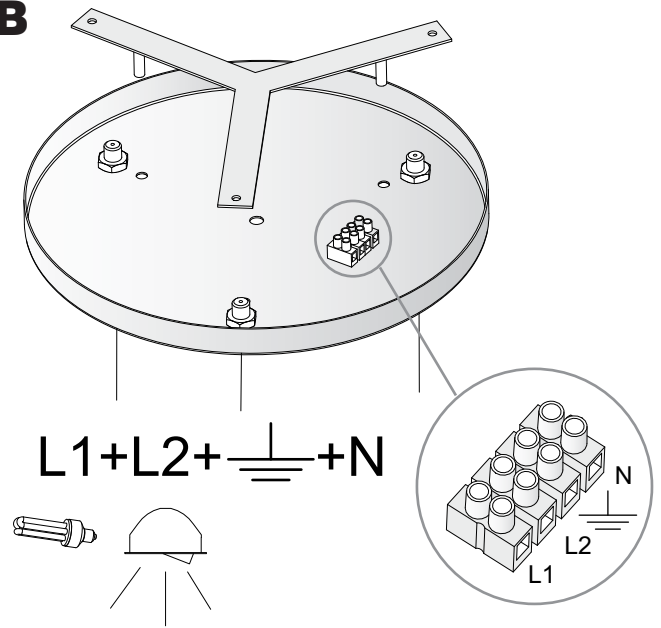
**1B**



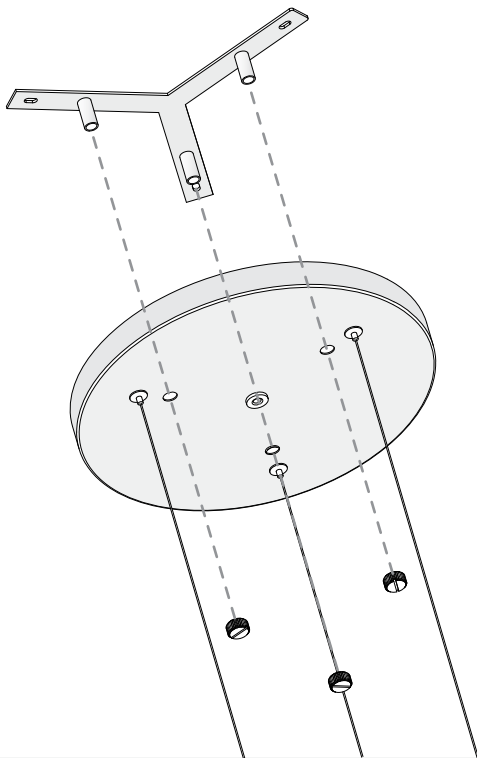
2A



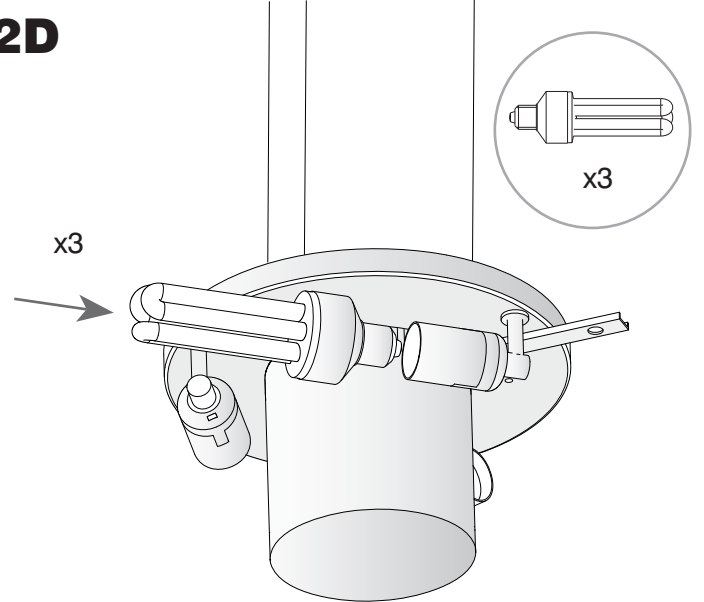
2B



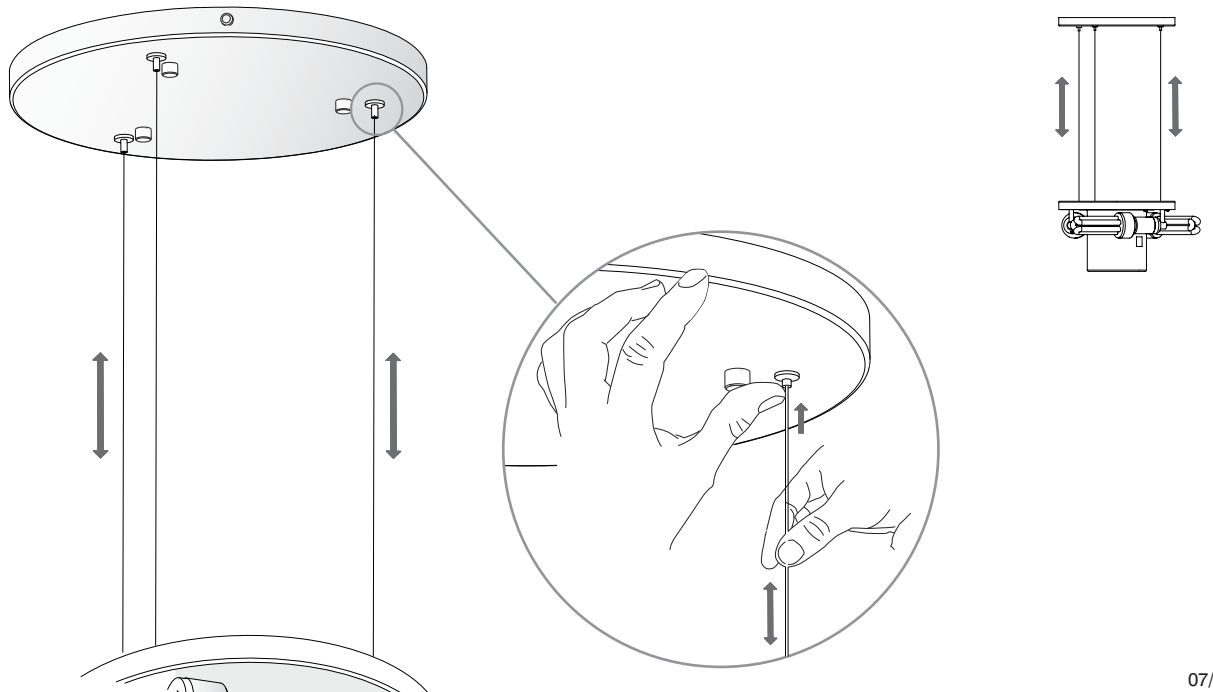
2C



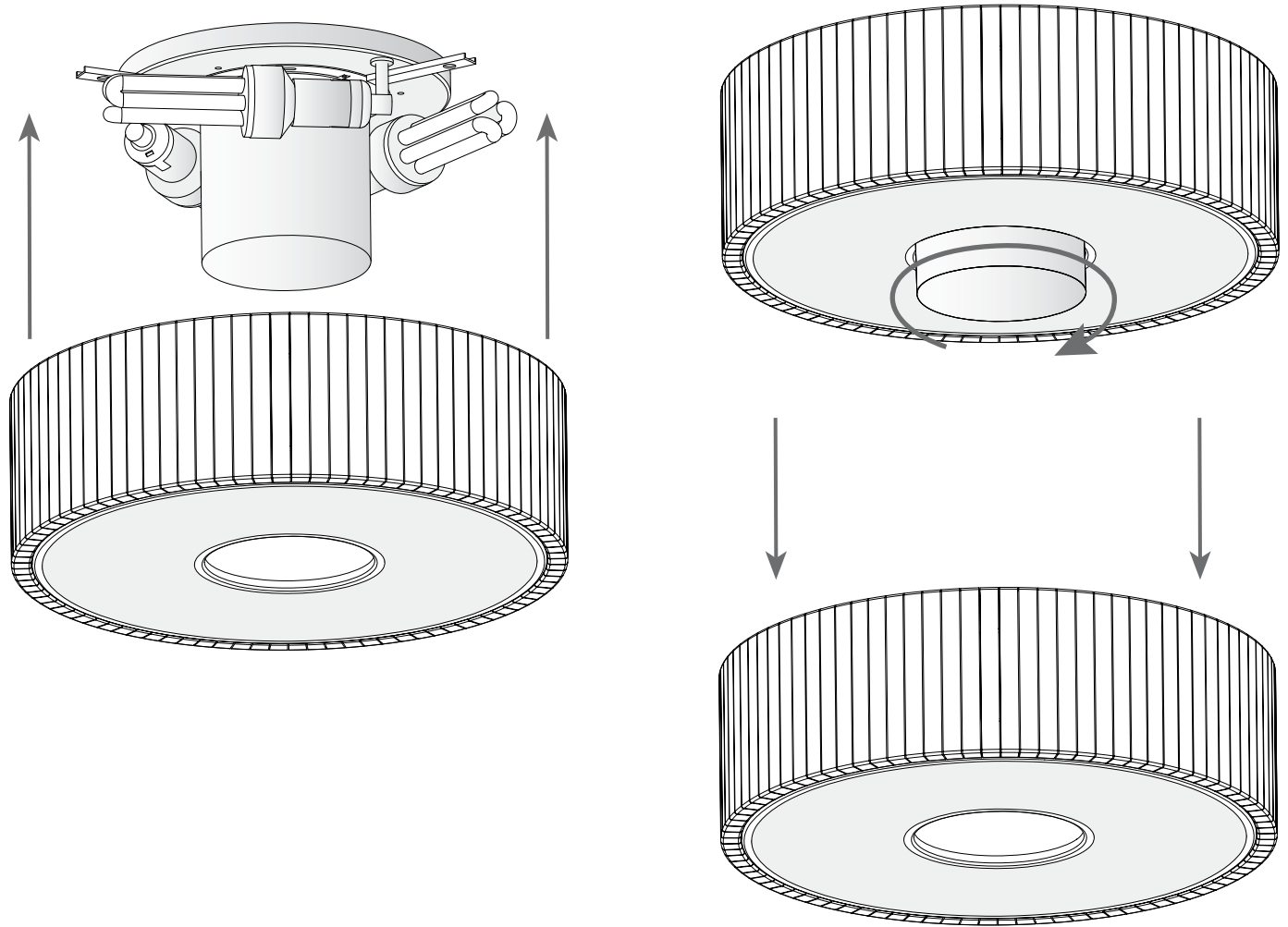
2D



2E



**3A**



**3B**

