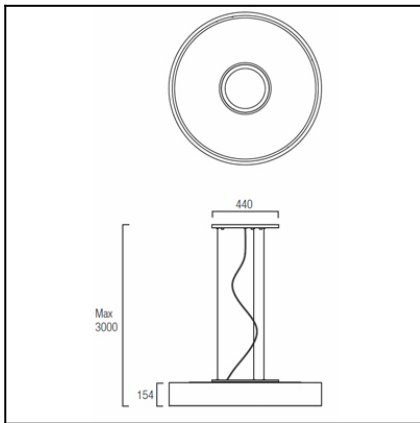
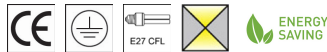


Design by Nahtrang Design


The photograph may not match the reference exactly. Please read the product description to identify the finish.

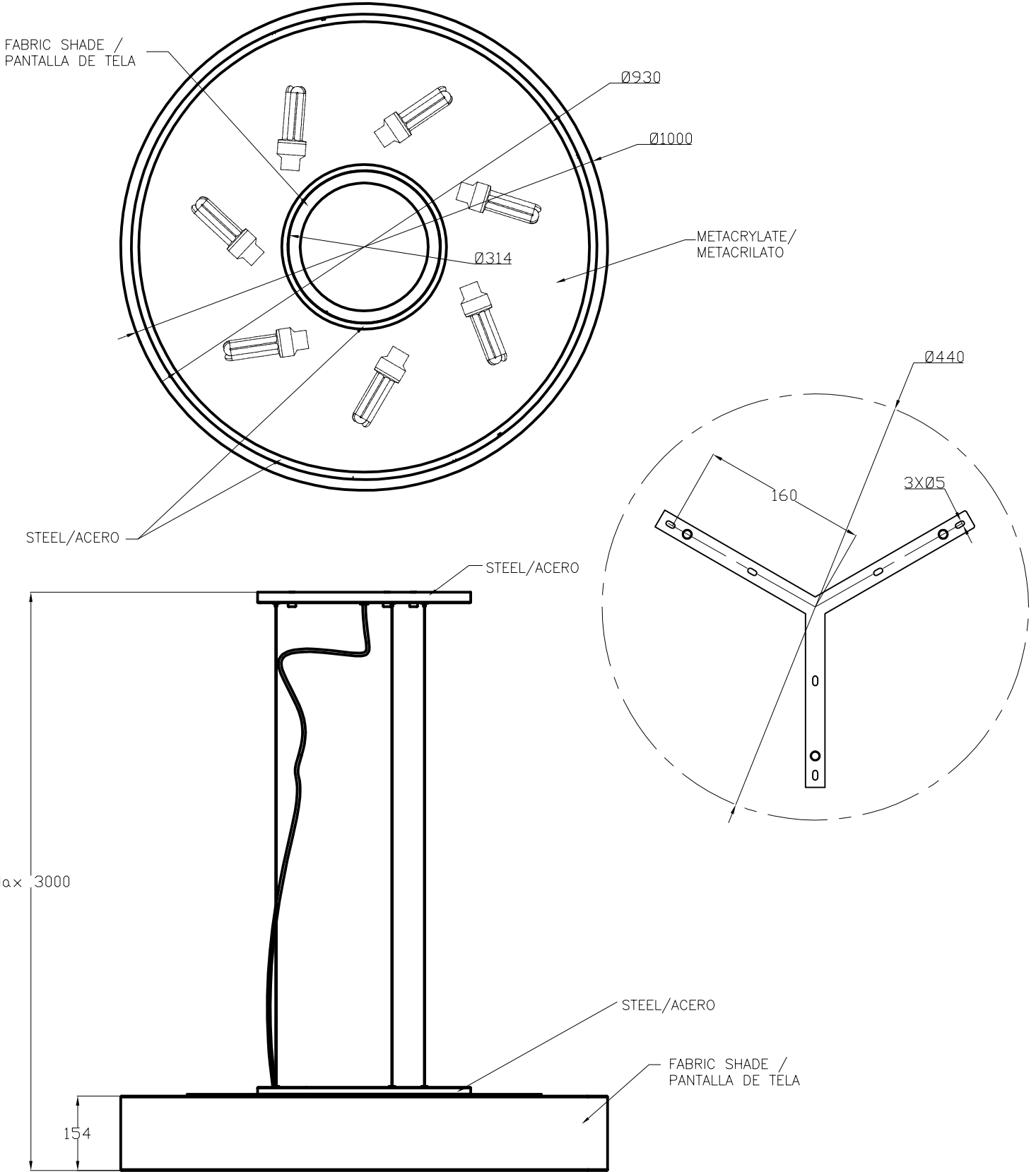

TECHNICAL CHARACTERISTICS

Type:	Pendant
IP Protection degrees:	IP20
Lampholder:	7 x E27
Power (W):	E27 max30W
Total power consumption (W):	210
Voltage / Frequency:	230V/50-60Hz
Warranty (Years):	2
Units per box:	1
Net Weight (Kg):	10.83
EAN:	0,00

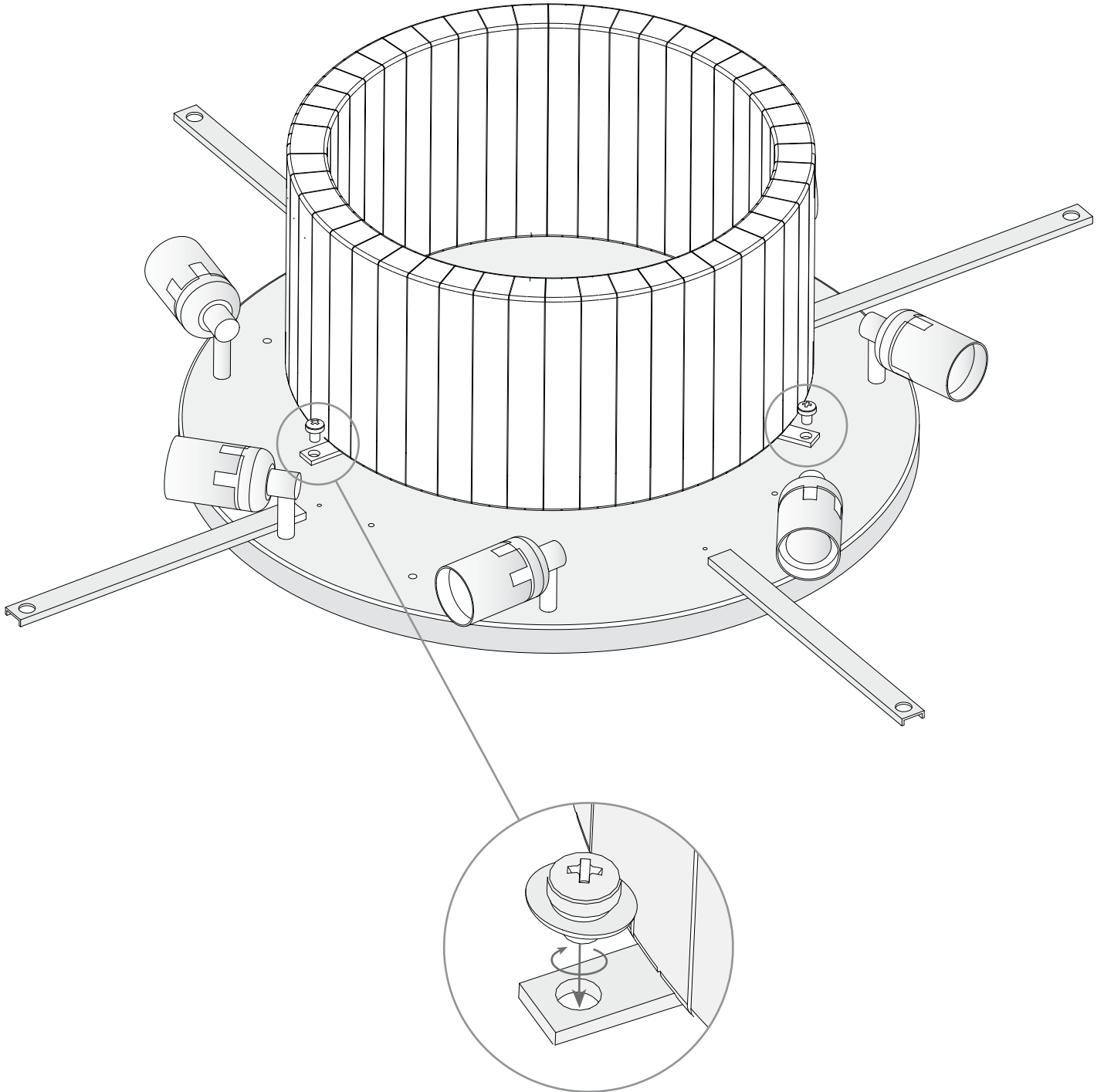

MATERIALS / FINISHES

Structure material: Steel	Diffuser material: Fabric shade Methacrylate
Structure finish: Chrome	Diffuser finish: White Opal

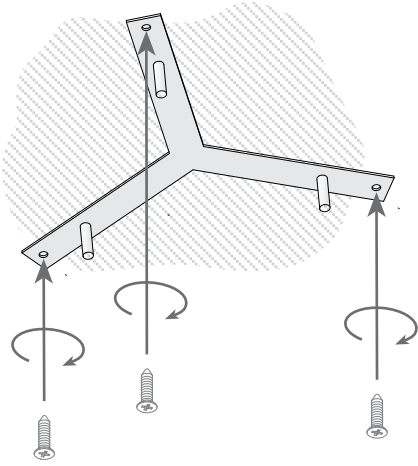
[Download photometric file .ldt / .ies](#)



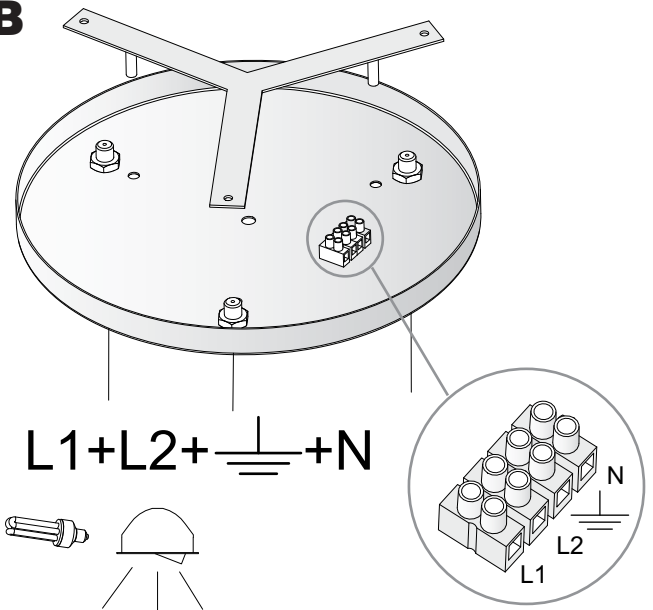
1



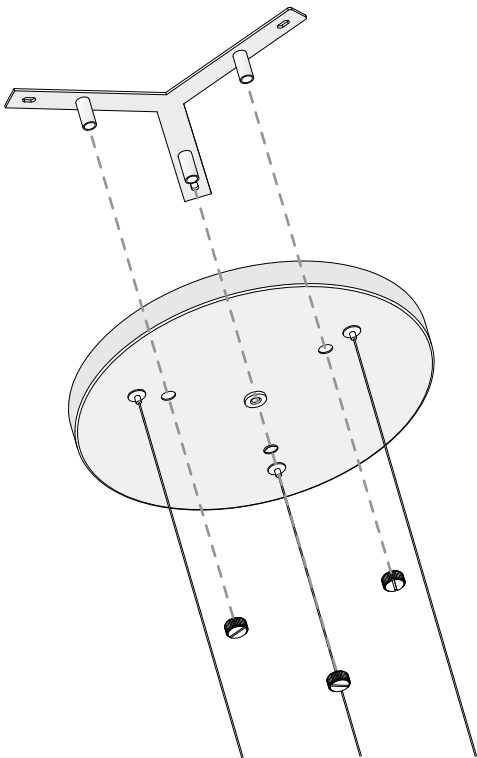
2A



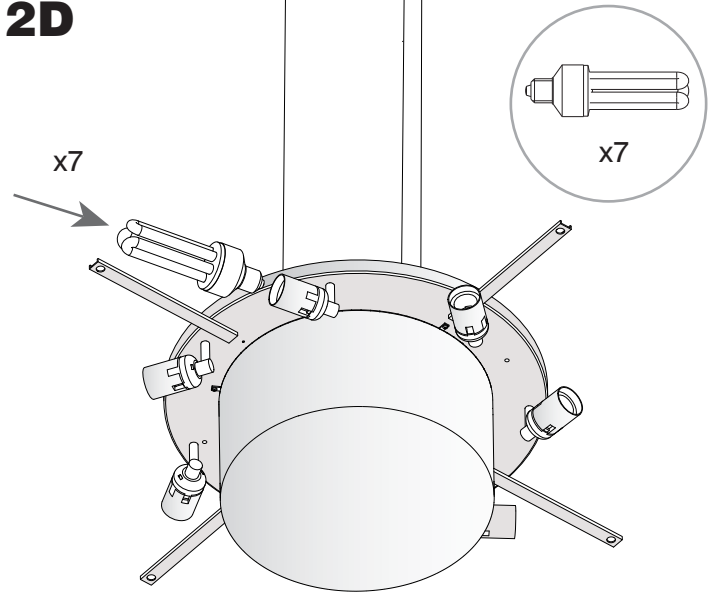
2B



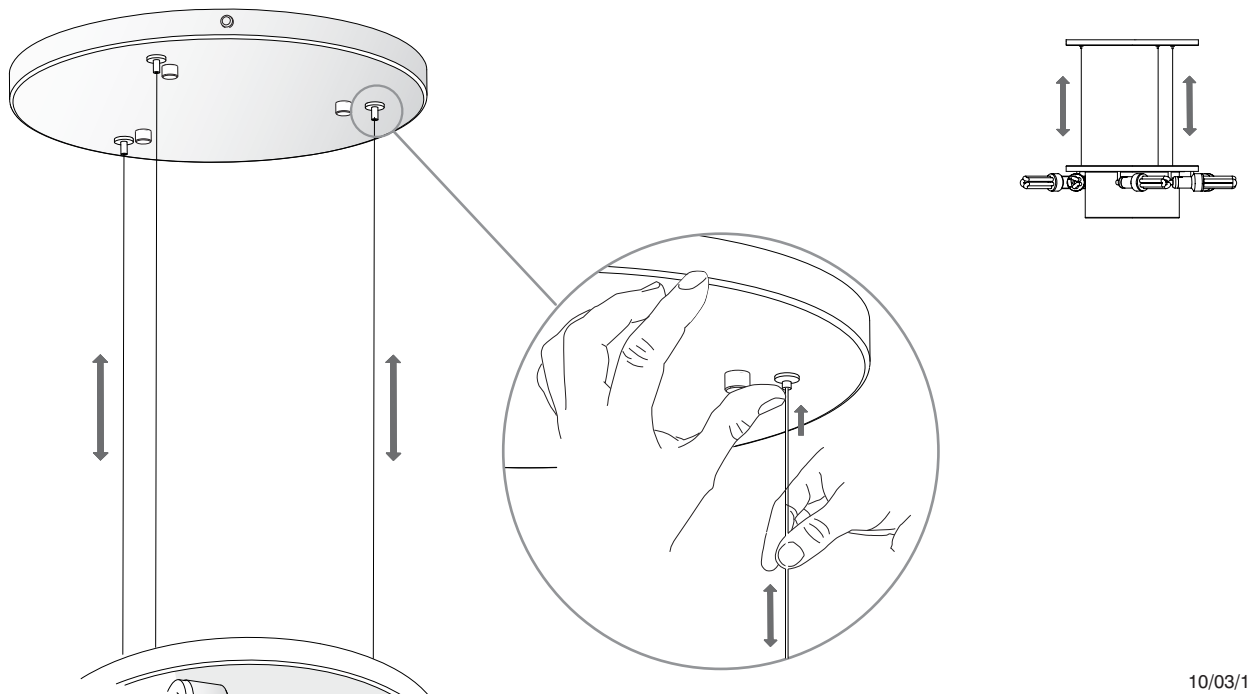
2C



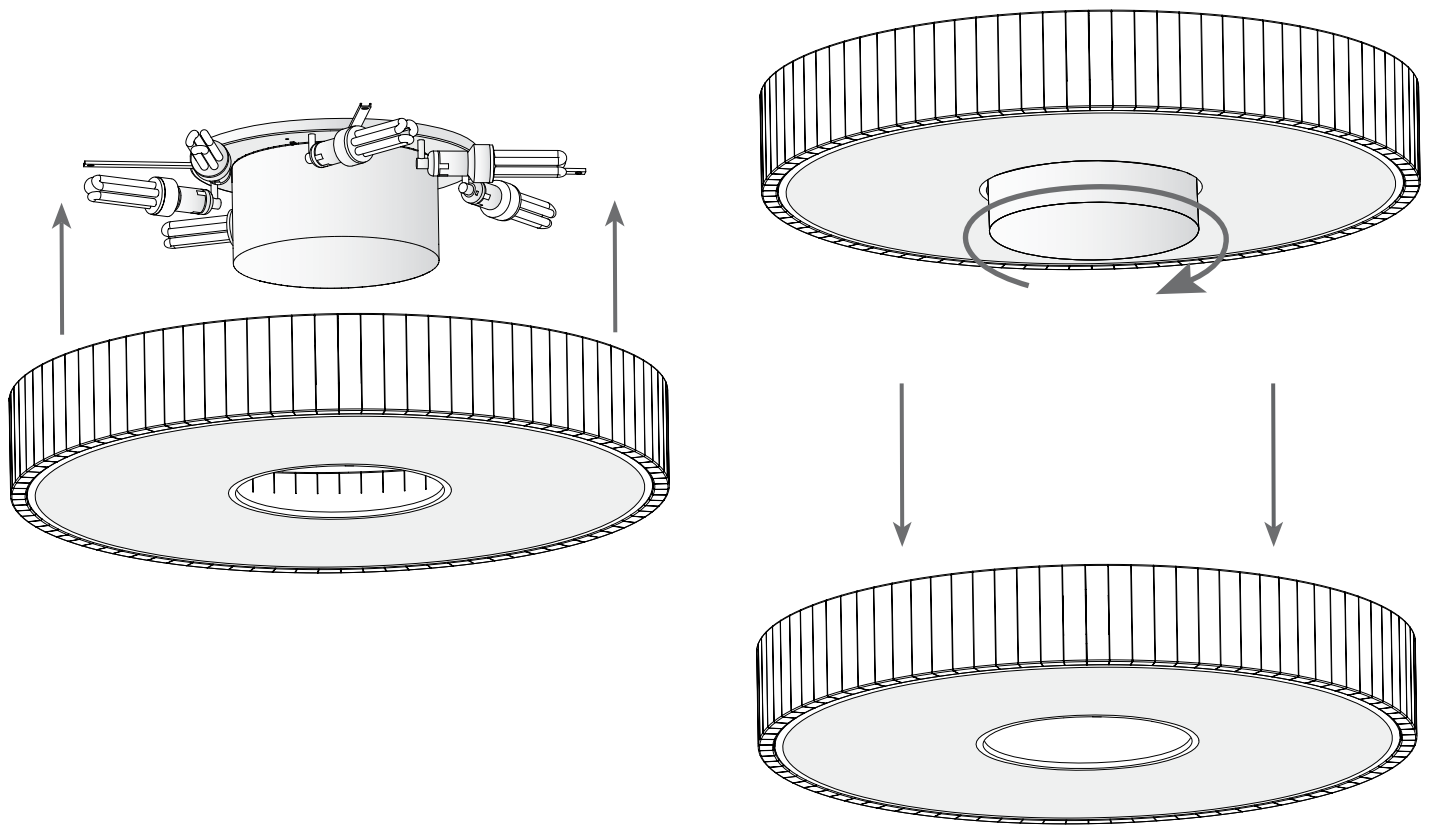
2D



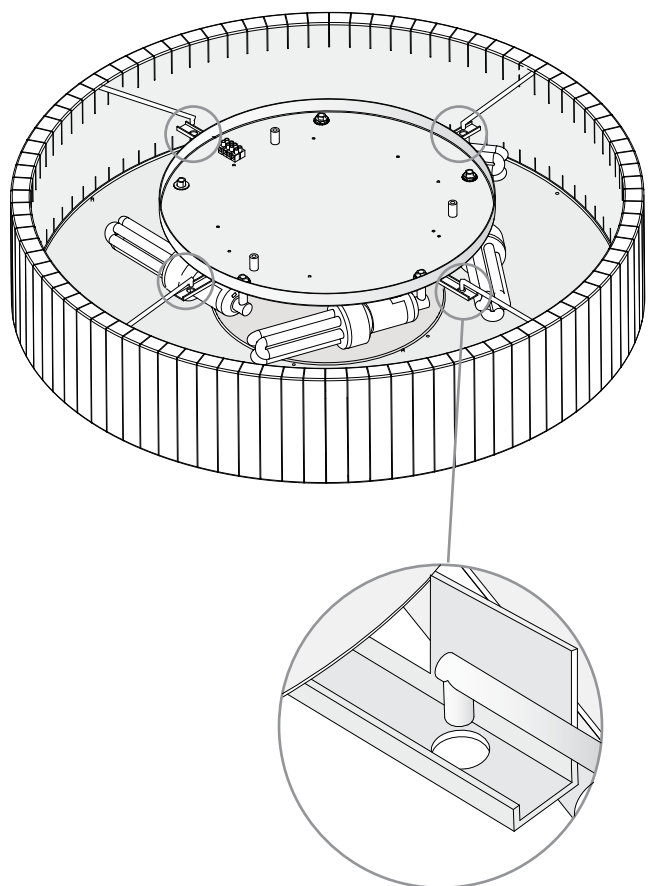
2E



3A



3B



3C

