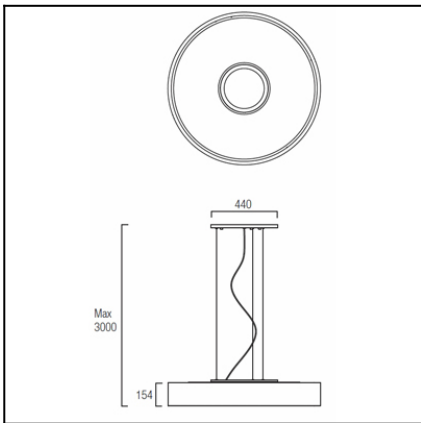


**Design by Nahtrang Design**


The photograph may not match the reference exactly. Please read the product description to identify the finish.



Download photometric file .ldt / .ies

**TECHNICAL CHARACTERISTICS**

Type:	Pendant
IP Protection degrees:	IP20
Lampholder:	7 x E27 3 x BA15d
Power (W):	E27 30W BA15d 50W
Voltage / Frequency:	230V/50-60Hz
Warranty (Years):	2
Units per box:	1
Net Weight (Kg):	13.765
EAN:	0,00

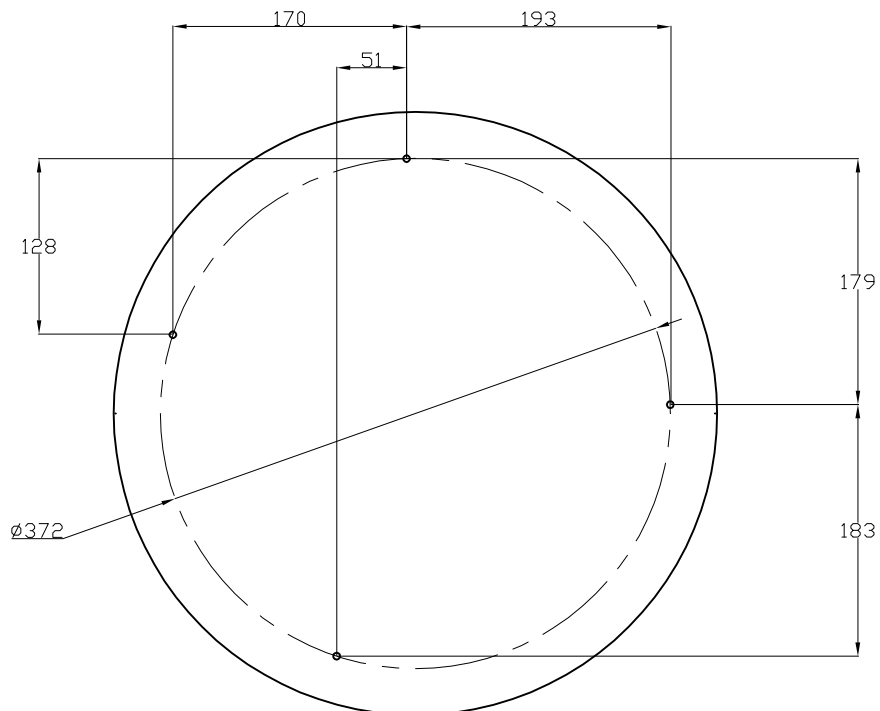
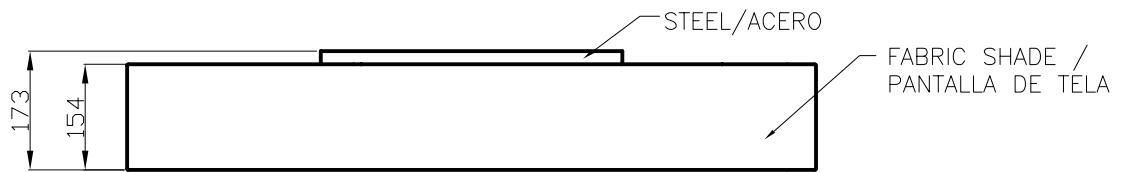
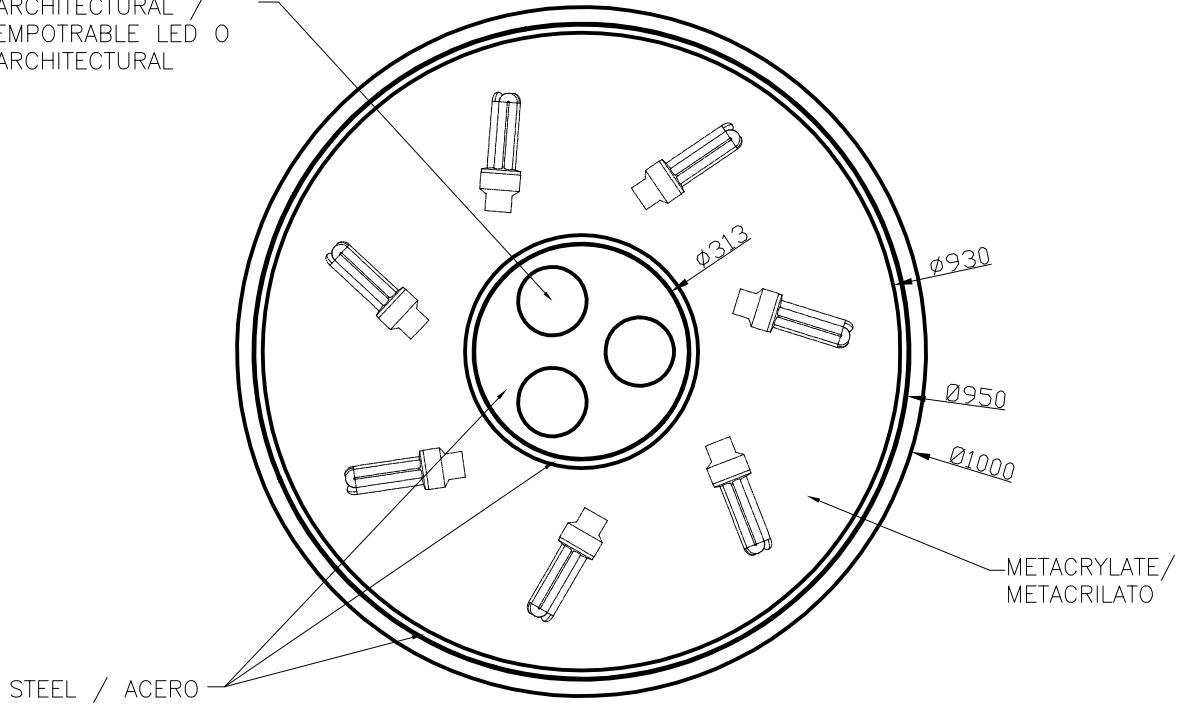

**MATERIALS / FINISHES**

<b>Structure material:</b> Steel	<b>Diffuser material:</b> Fabric shade Methacrylate
<b>Structure finish:</b> Chrome	<b>Diffuser finish:</b> Black Opal

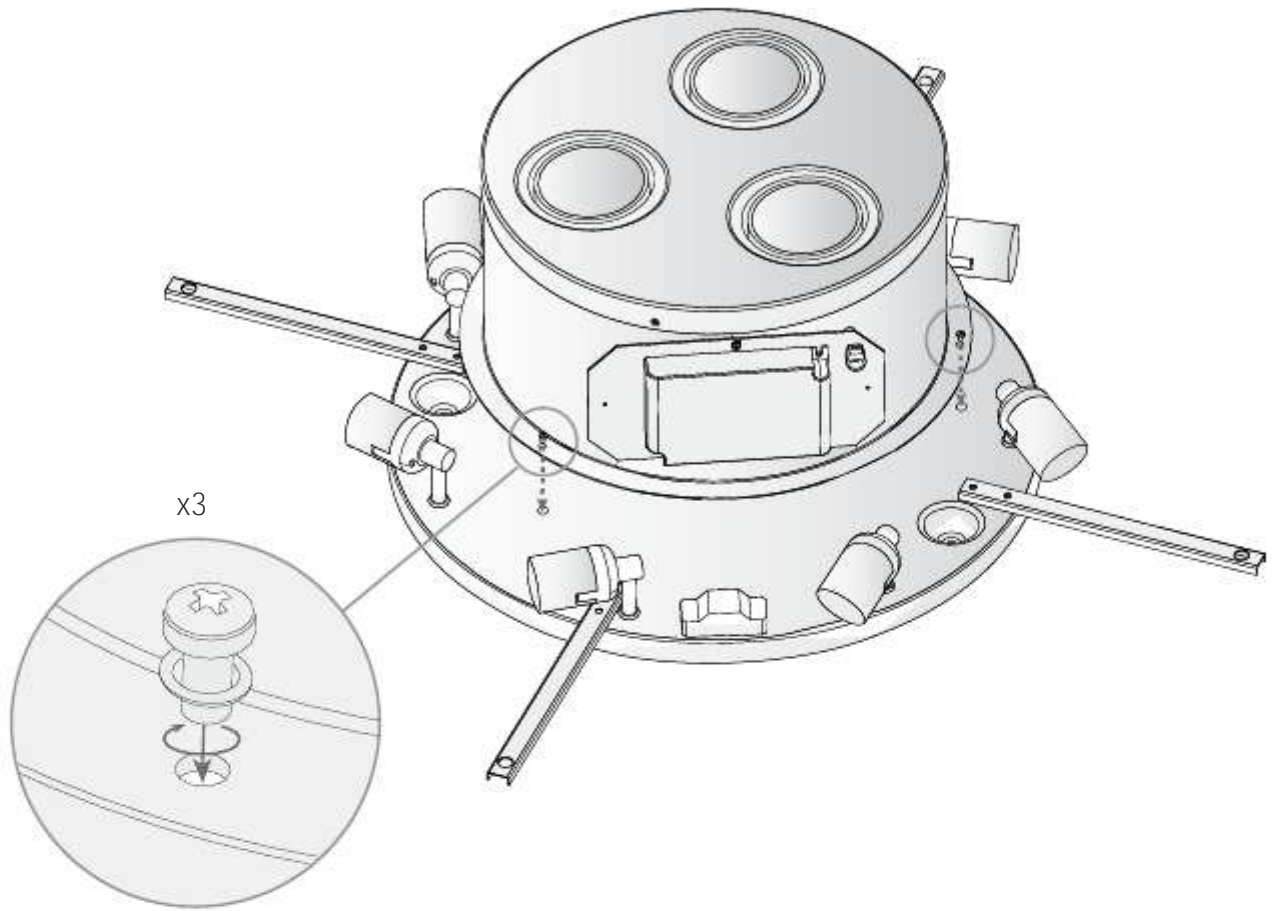
**GEAR**

Gear included: Yes, electronic

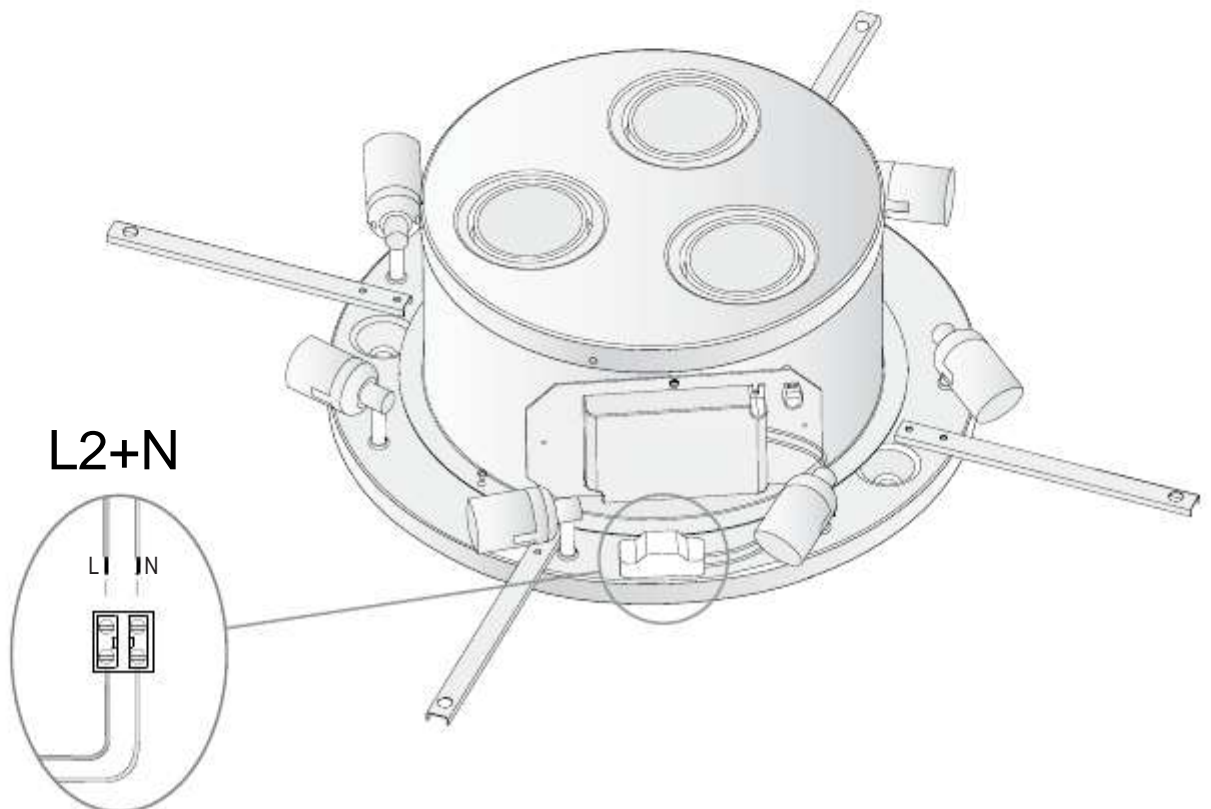
DOWNLIGHT LED OR  
ARCHITECTURAL /  
EMPOTRABLE LED O  
ARCHITECTURAL



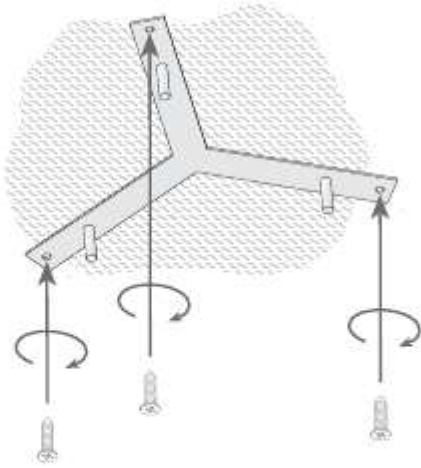
1A



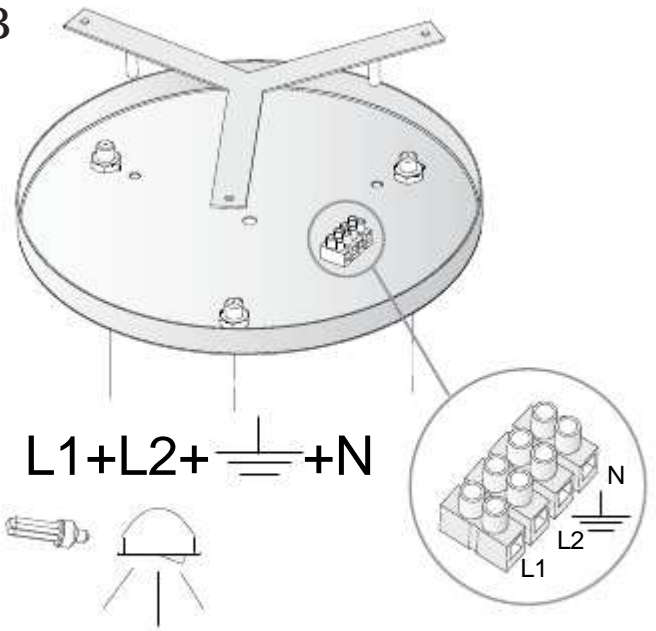
1B



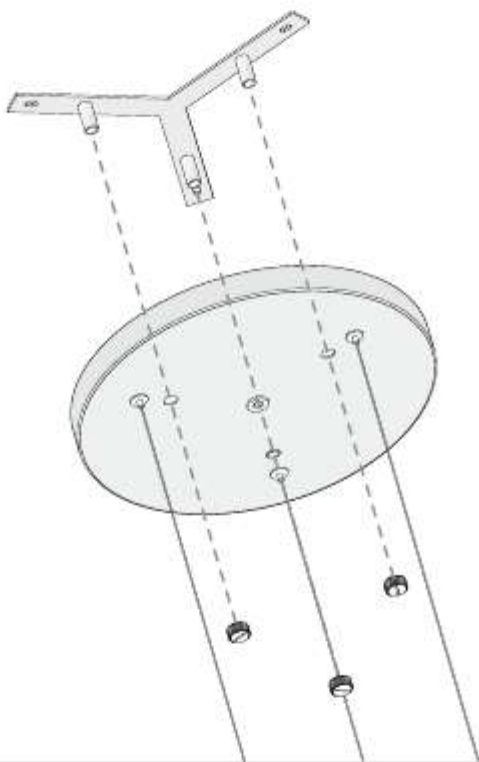
2A



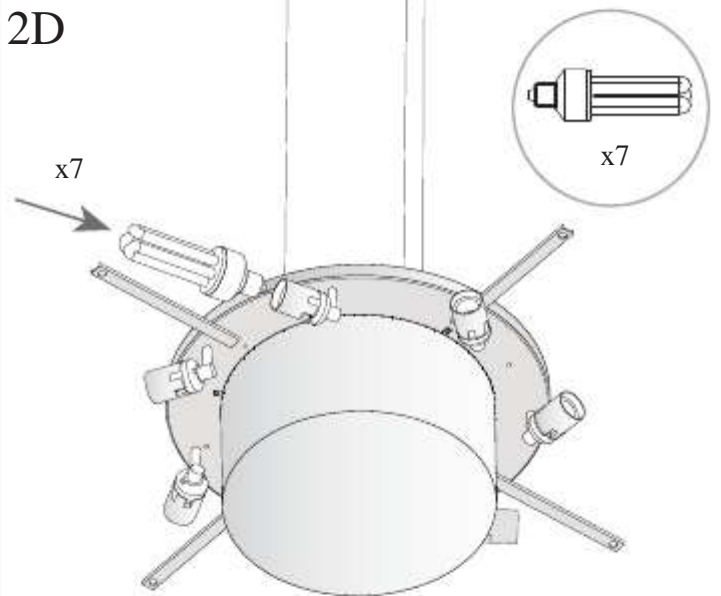
2B



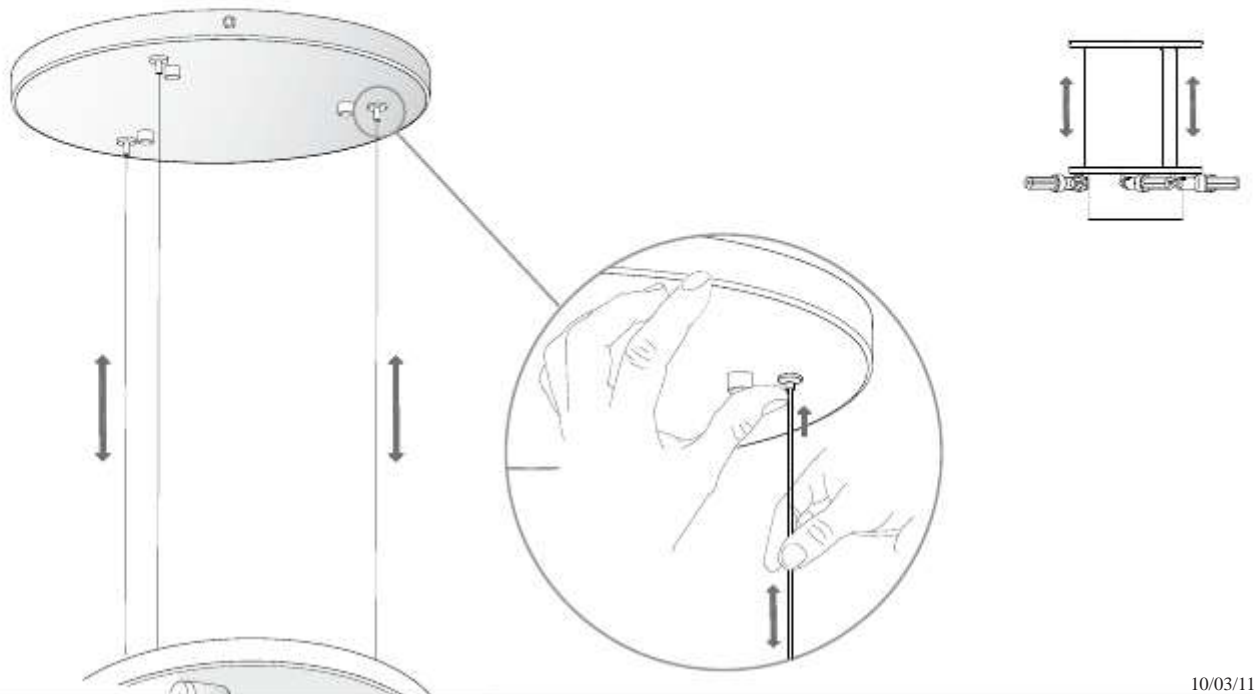
2C



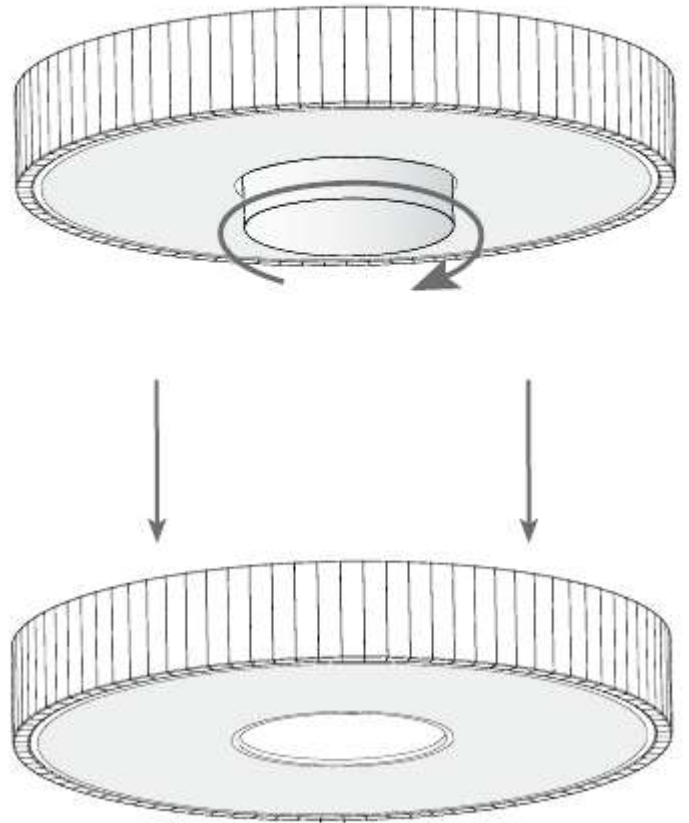
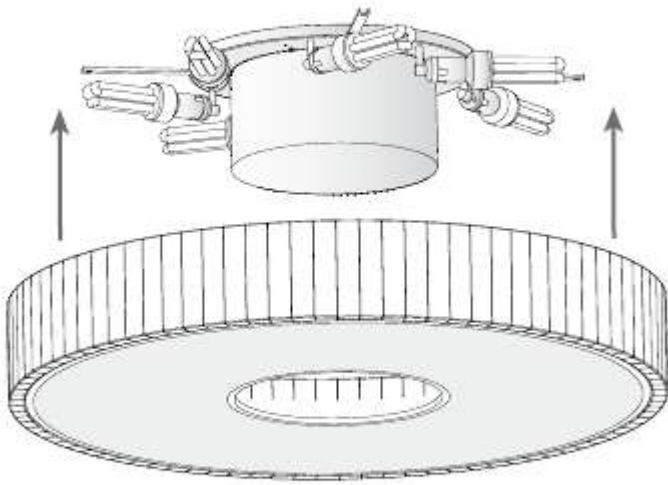
2D



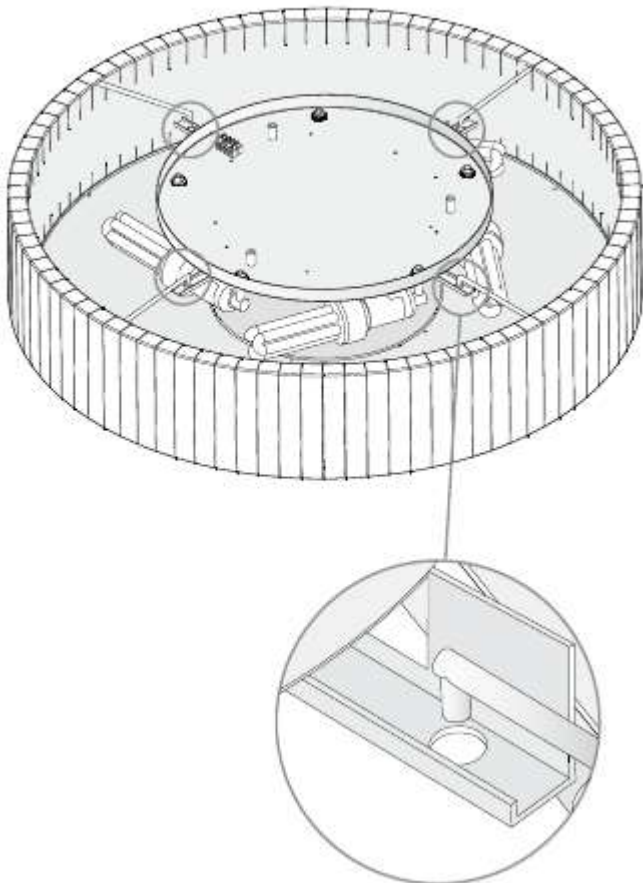
2E



3A



3B



3C

