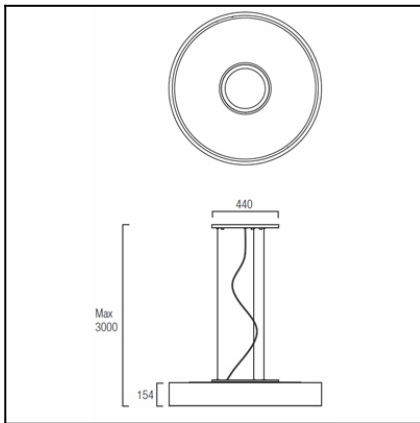
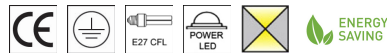


Design by Nahtrang Design


The photograph may not match the reference exactly. Please read the product description to identify the finish.


[Download photometric file .ldt / .ies](#)
TECHNICAL CHARACTERISTICS

Type:	Pendant
IP Protection degrees:	IP20
Lampholder:	7 x E27 3 x LED Cree. Warm white (<3700 K)
Power (W):	E27 30W 4W/350mA
Voltage / Frequency:	230V/50-60Hz
Warranty (Years):	2
Option to extend the guarantee:	Yes, 5 years
Units per box:	1
Net Weight (Kg):	13.69
EAN:	0,00

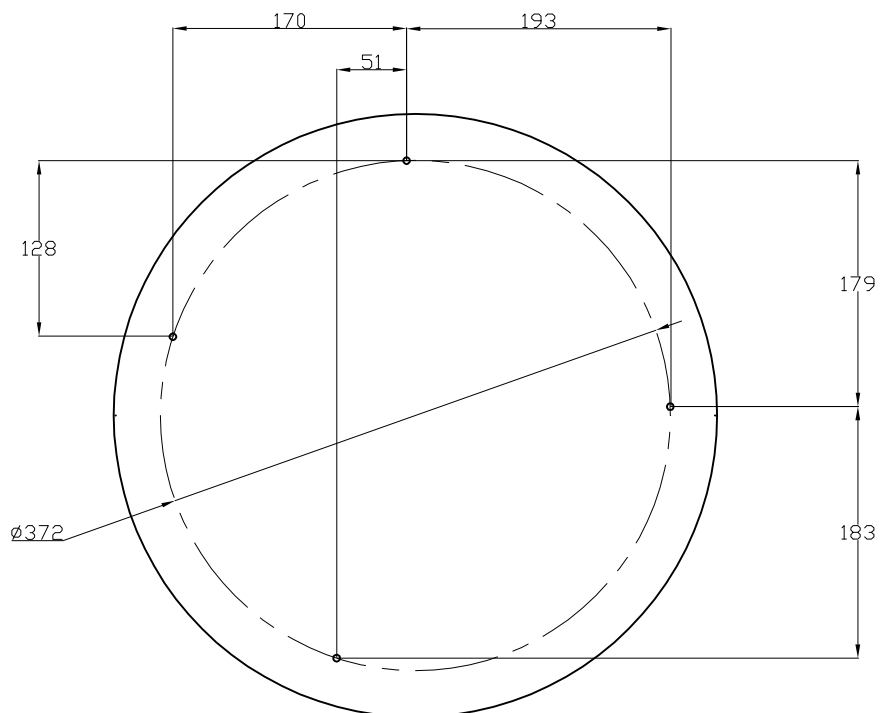
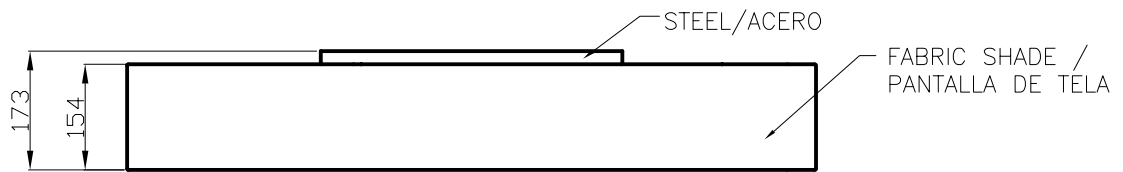
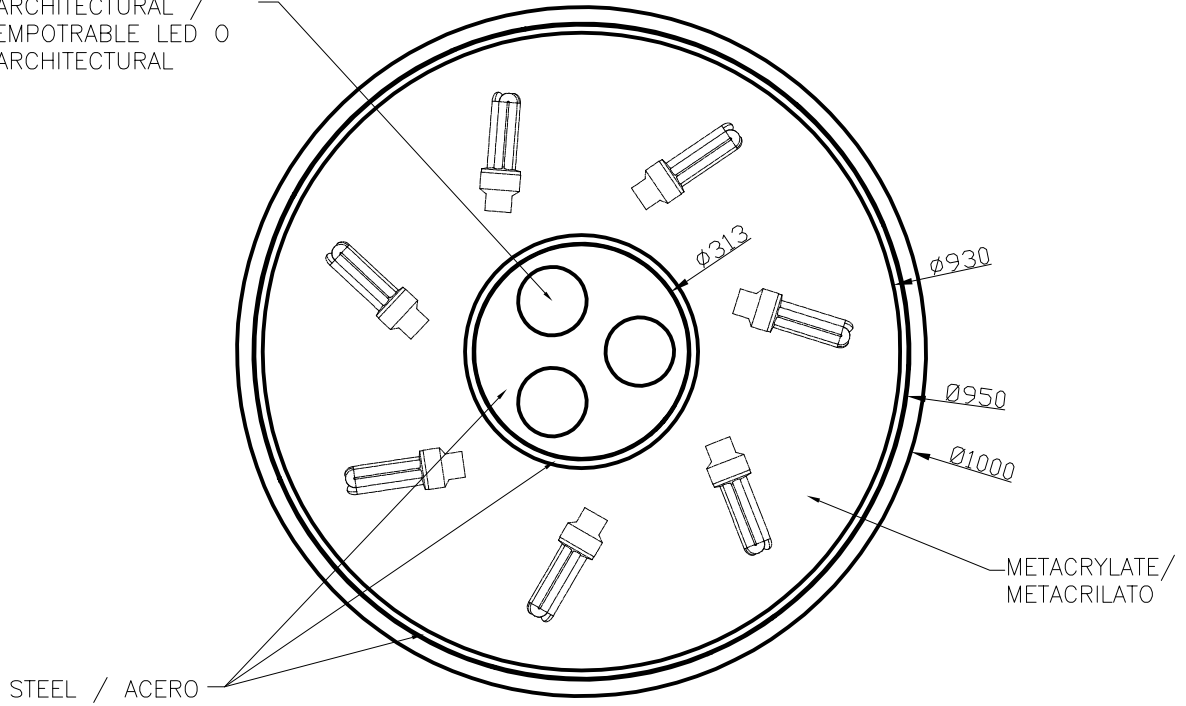

MATERIALS / FINISHES

Structure material: Steel	Diffuser material: Fabric shade Methacrylate
Structure finish: Chrome	Diffuser finish: Black Opal

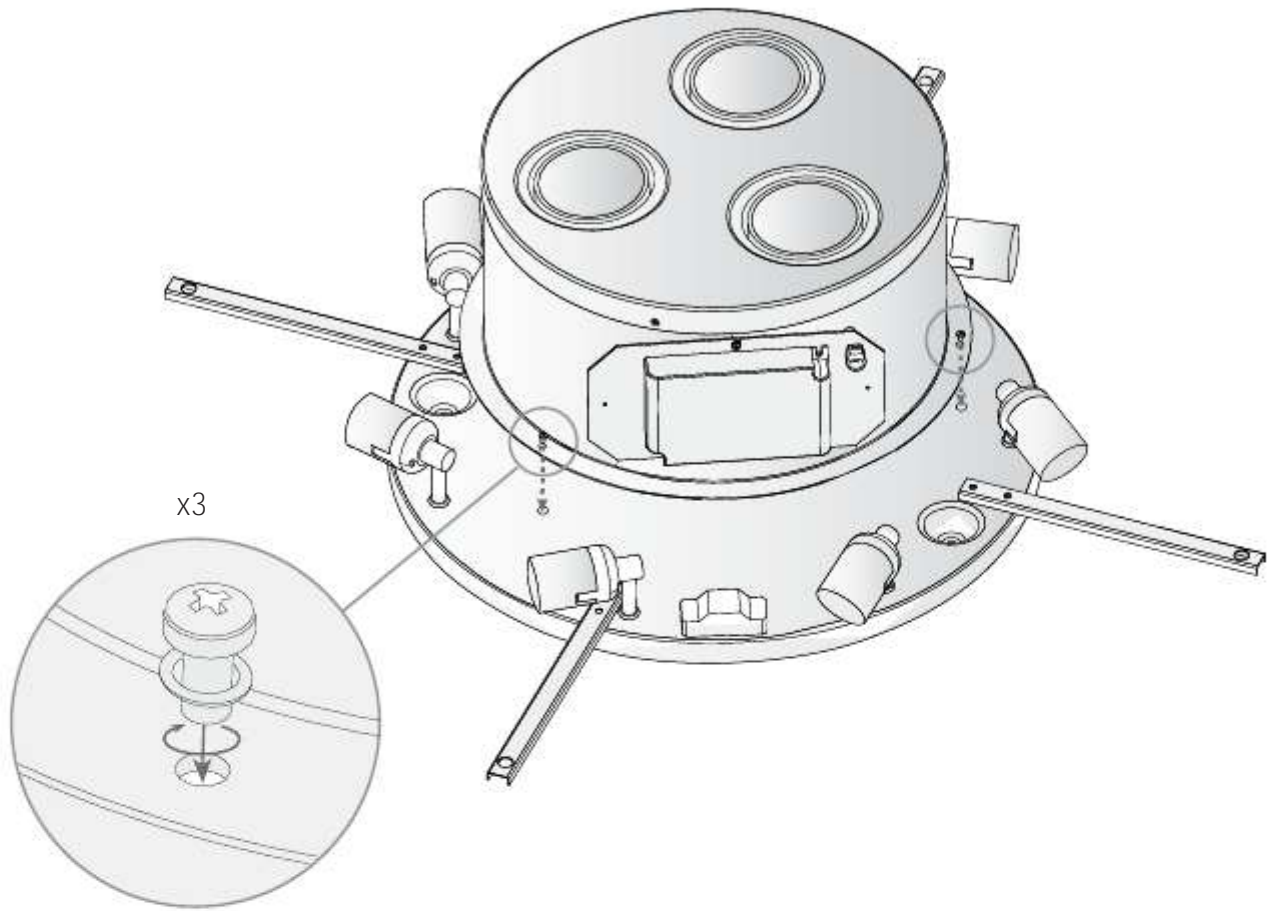
GEAR

Multi-voltage electronic gear included (110-240 V / 50-60 Hz)

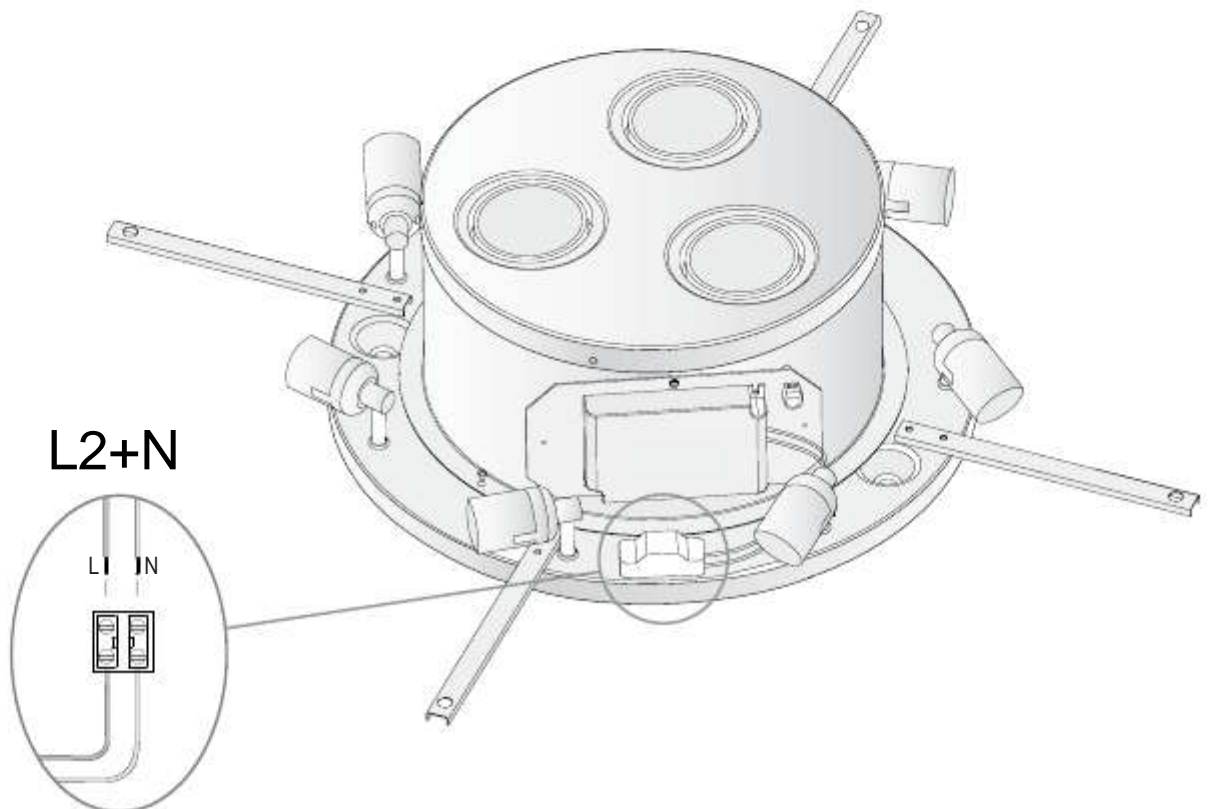
DOWNLIGHT LED OR
ARCHITECTURAL /
EMPOTRABLE LED O
ARCHITECTURAL



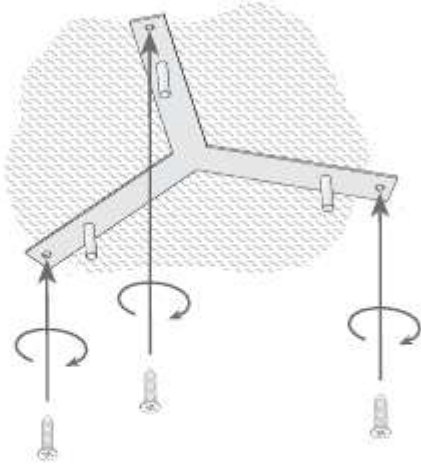
1A



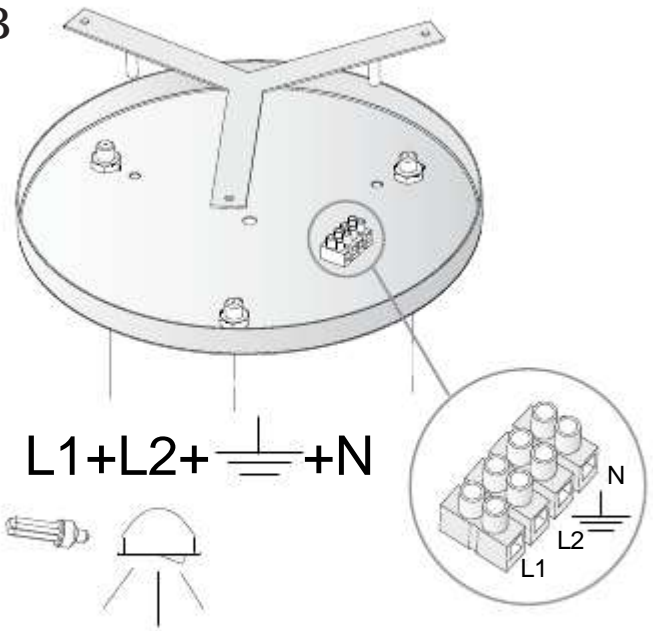
1B



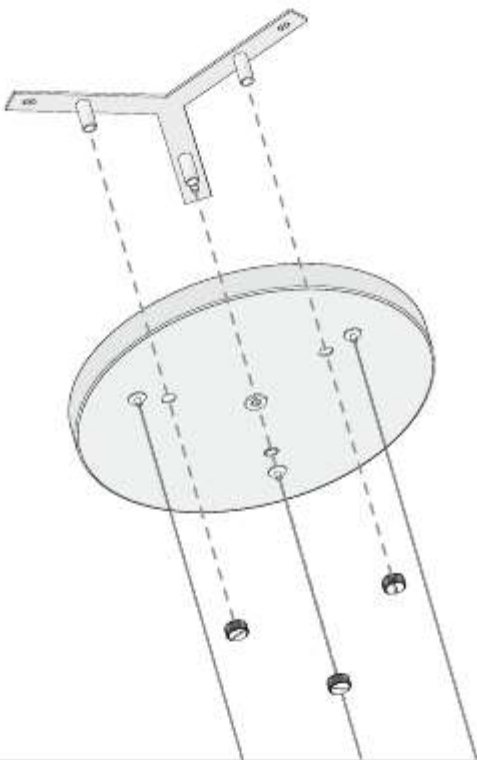
2A



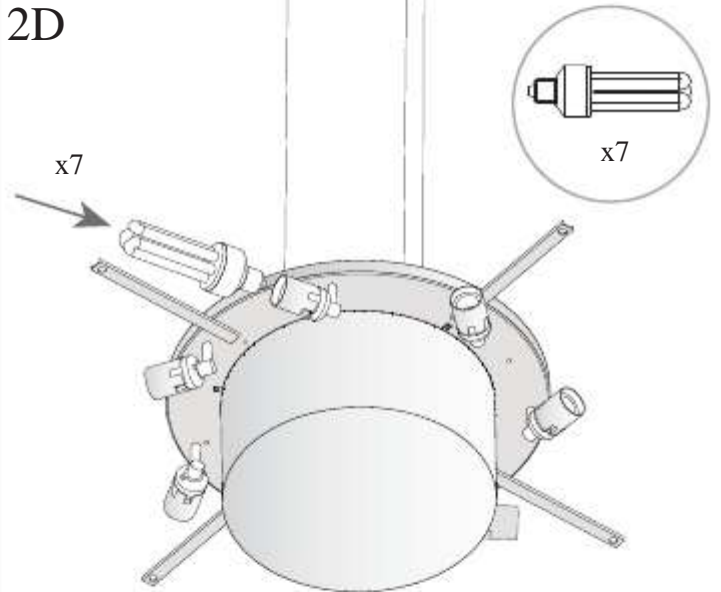
2B



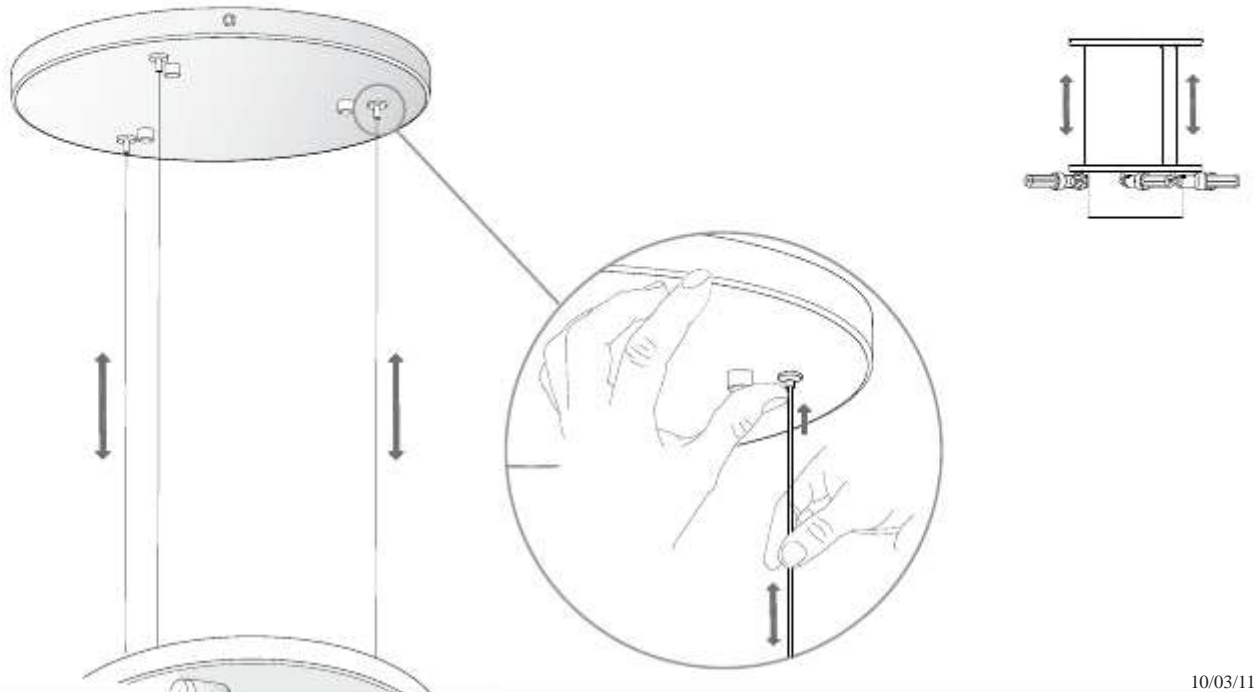
2C



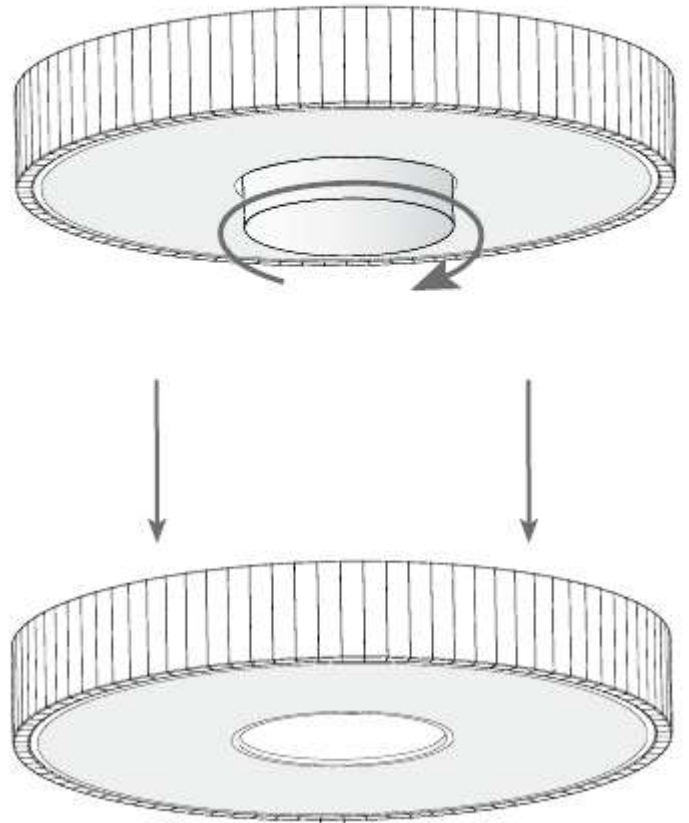
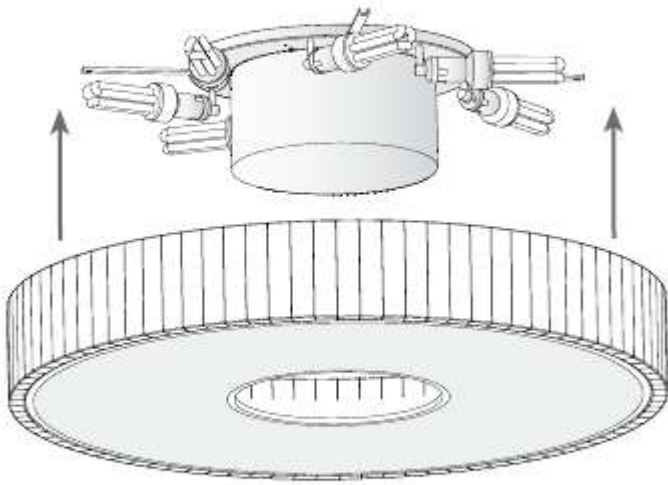
2D



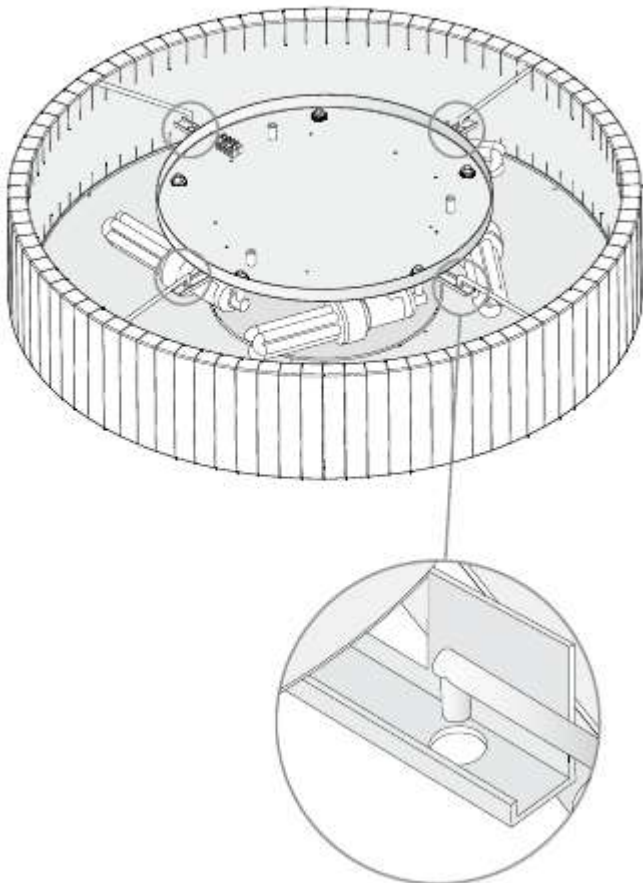
2E



3A



3B



3C

