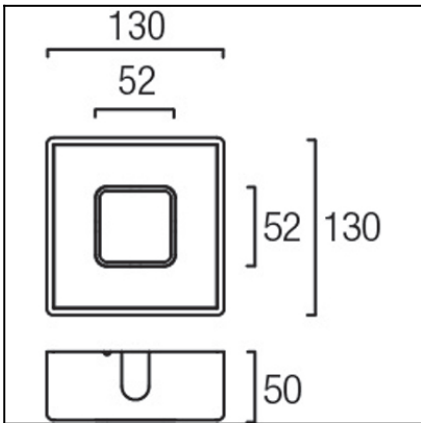
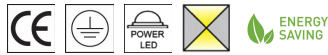


**Design by Nahtrang Design**


The photograph may not match the reference exactly. Please read the product description to identify the finish.


**TECHNICAL CHARACTERISTICS**

|                                 |                                     |
|---------------------------------|-------------------------------------|
| Type:                           | Wall fixture                        |
| IP Protection degrees:          | IP20                                |
| Bulb:                           | 2 x LED Samsung. Warm White - 3000K |
| Power (W):                      | 2x4W                                |
| Total power consumption (W):    | 8                                   |
| Luminous efficacy (Lm/W):       | 45                                  |
| Voltage / Frequency:            | 220-240V/50-60Hz                    |
| Possibilitat extensió garantia: | Si, 5 anys                          |
| Units per box:                  | 12                                  |
| Net Weight (Kg):                | 0.59                                |
| EAN:                            | 8435111091524                       |


**MATERIALS / FINISHES**

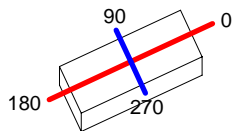
|   |  |
|---|--|
| <b>Structure material:</b> Aluminium<br>Steel | <b>Diffuser material:</b> Methacrylate |
| <b>Structure finish:</b> Matt white<br>Chrome | <b>Diffuser finish:</b> Transparent    |

Download photometric file .ldt / .ies

|                            |                       |                             |                       |              |               |        |
|----------------------------|-----------------------|-----------------------------|-----------------------|--------------|---------------|--------|
| <b>Luminaire</b>           |                       | <b>Measur.</b>              |                       | <b>Lamp</b>  |               |        |
| Code                       | 05-0047-BW-BW         | Code                        | 05-0047-BW-BW         | Code         | 05-0047-BW-BW |        |
| Name                       | Aplique LOW leds 2x4W | Name                        | Aplique leds LOW 2x4W | Number       | 1             |        |
| Line                       | - LEDS C4 LEDS        | Date                        | 18-03-2013            | Position     | Universal     |        |
| Efficiency                 | 100.00%               | Coordinate system           | CG                    | Total Flux   | 400.23 lm     |        |
| Maximum value              | 106.66 cd             | Position                    | C=90.00 G=10.00       | Asymmetrical |               |        |
| Rectangular Luminaire      | Length                | 50 mm                       | Width                 | 130 mm       | Height        | 130 mm |
| Rectangular Luminous Area  | Length                | 25 mm                       | Width                 | 30 mm        | Height        | 130 mm |
| Horizontal Luminous Area   | 0.000750 m2           | Emitting area on Plane 180° |                       | 0.003250 m2  |               |        |
| Emitting area on Plane 0°  | 0.003250 m2           | Emitting area on Plane 270° |                       | 0.003900 m2  |               |        |
| Emitting area on Plane 90° | 0.003900 m2           | Glare area at 76°           |                       | 0.003335 m2  |               |        |
| Symmetry Type              | Asymmetrical          | Maximum Gamma Angle         |                       | 180          |               |        |
| Measurement Distance       | 6.44                  | Measurement Flux            |                       | 400.23 lm    |               |        |
| Operator                   | Asselum T2            | Source voltage              |                       | 230.00 V     |               |        |
| Temperature                | 20.00 °C              | Source current              |                       | PRC          |               |        |
| Humidity                   | 48.00 %               | Photocell                   |                       |              |               |        |
| Notes                      |                       |                             |                       |              |               |        |

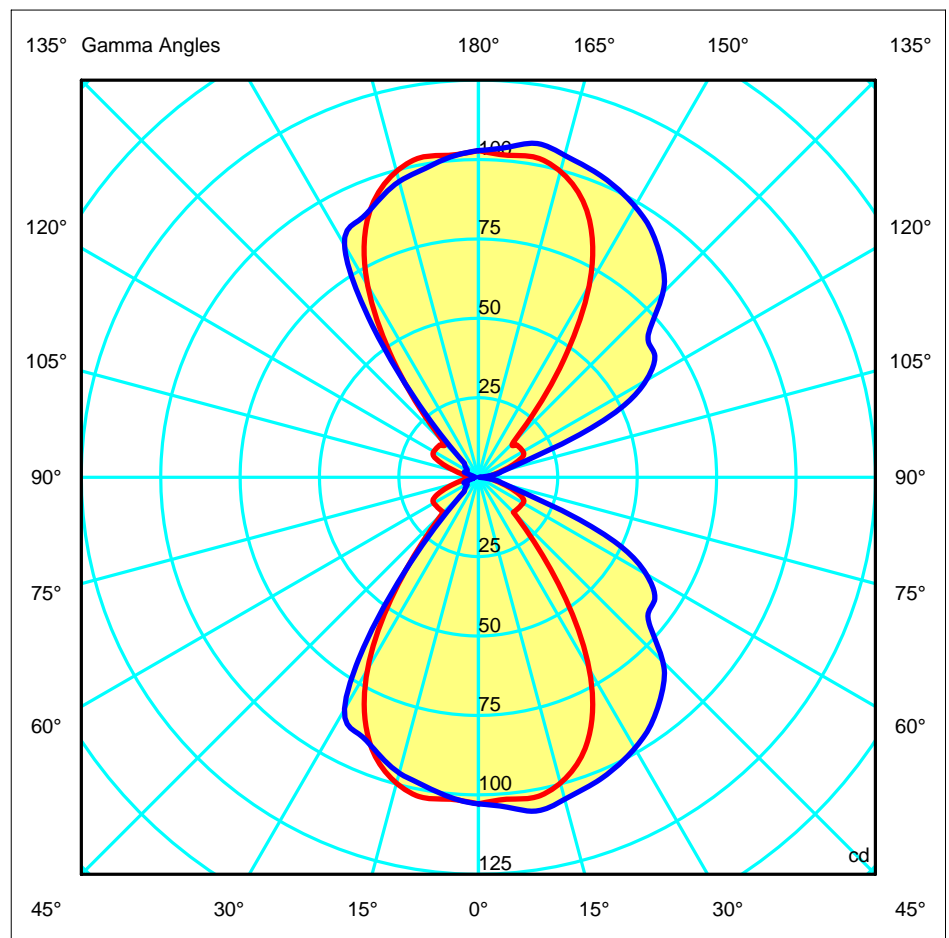
| Luminaire Lamps |                 |                              |           |          |      |                 |
|-----------------|-----------------|------------------------------|-----------|----------|------|-----------------|
| Line            | Code            | Name                         | Flux [lm] | Pow. [W] | Q.ty |                 |
| - LEDS C4 LEDS  | 05-0047-BW-BW   | Lámpara led blanco cálido 8W | 400.23    | 8.00     | 1    |                 |
| C.I.E.          | 62 83 95 50 100 | D DIN 5040                   |           |          |      | C51             |
| F UTE           | 0.50 C + 0.50 T | B NBN                        |           |          |      | BZ 3 / 4 / BZ 4 |

50mm x 130mm

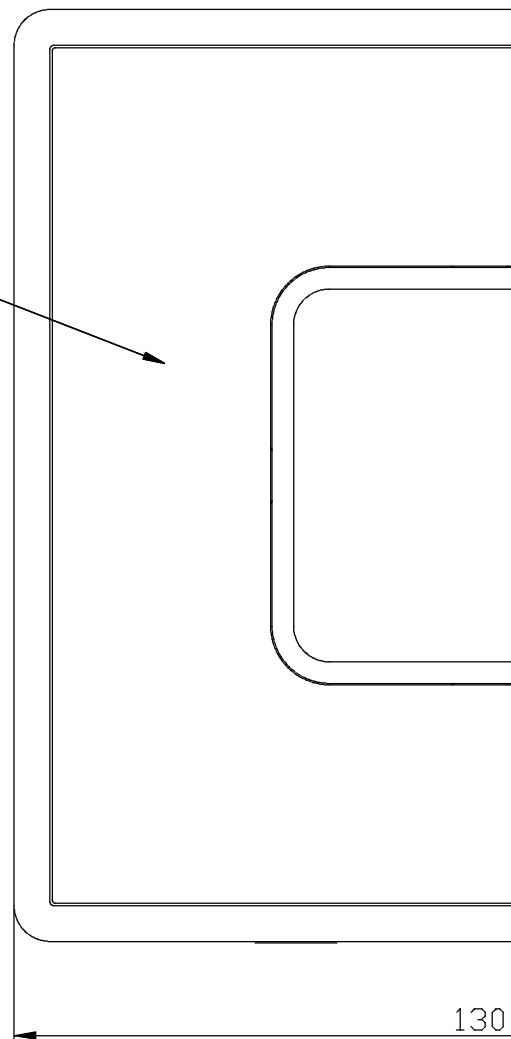


C Halfplanes  
 180.0 — 0.0  
 270.0 — 90.0

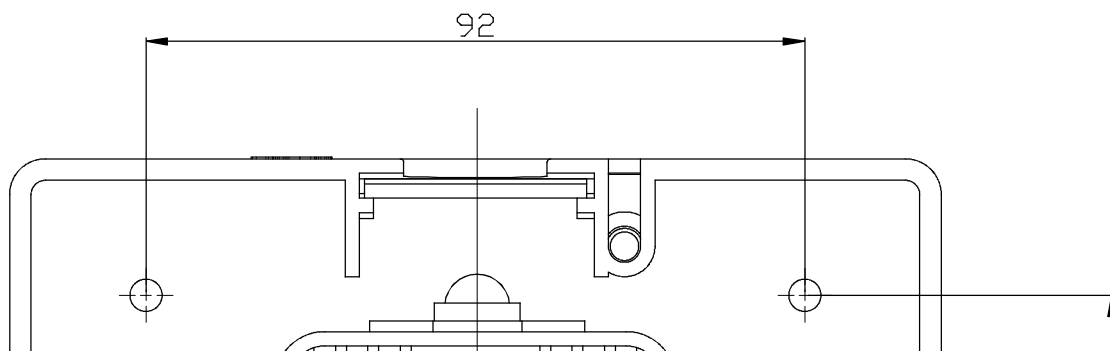
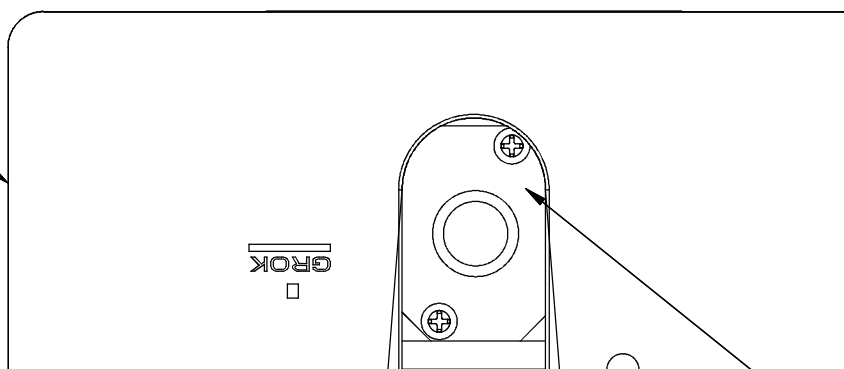
ULOR 50.00 %  
 DLOR 50.00 %  
 RN 50.00 %



steel (matt white/chrome) /  
acero (mate blanco/cromado)

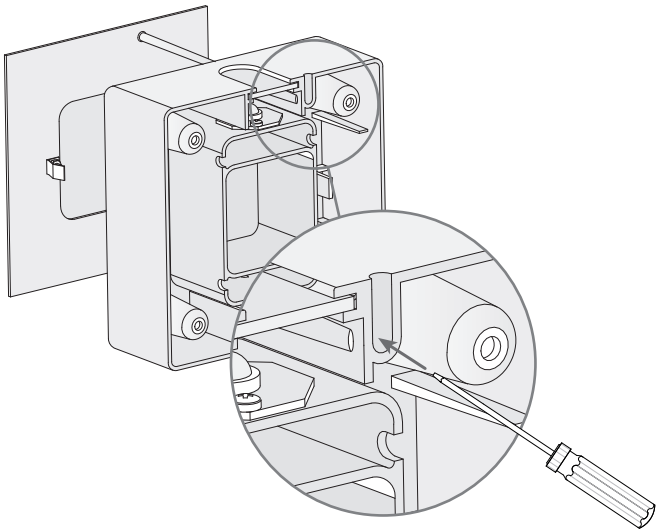


aluminum(matt white) /  
aluminio (mate blanco)

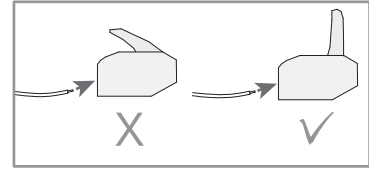
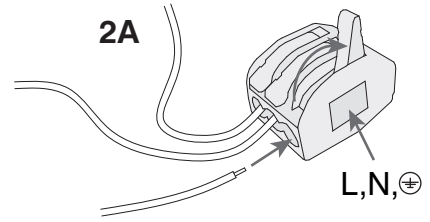


acr  
acr

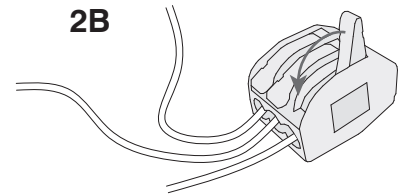
1



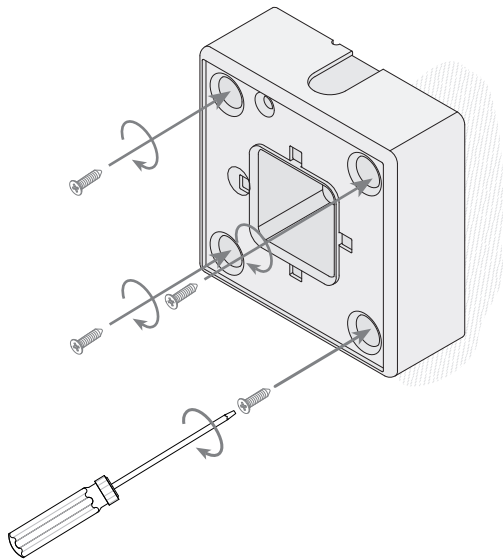
2



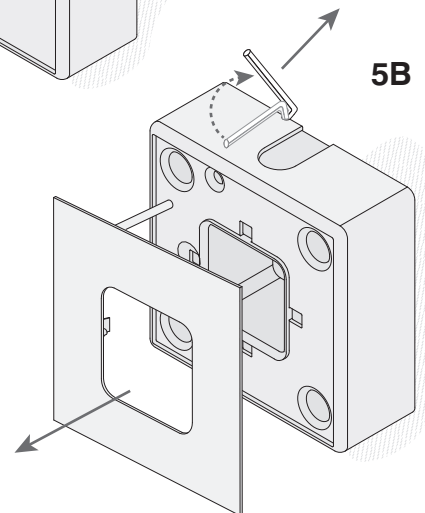
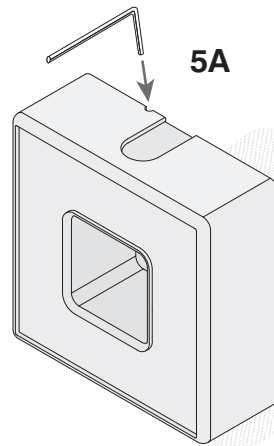
2B



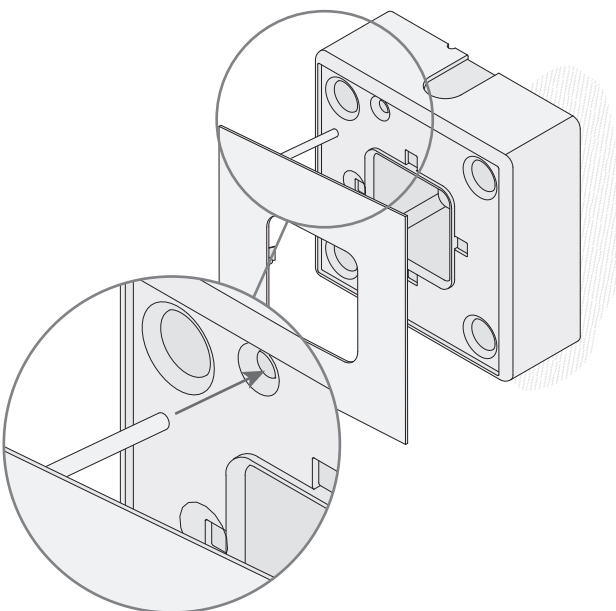
3



5



4



6

