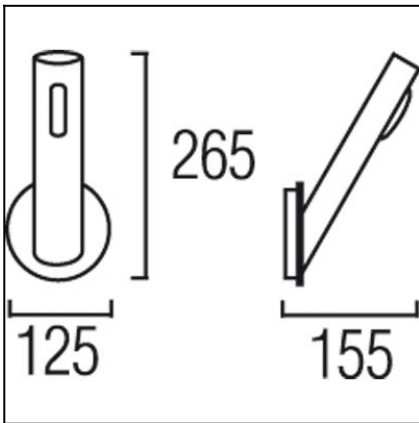


Design by Josep Patsí



The photograph may not match the reference exactly. Please read the product description to identify the finish.



TECHNICAL CHARACTERISTICS

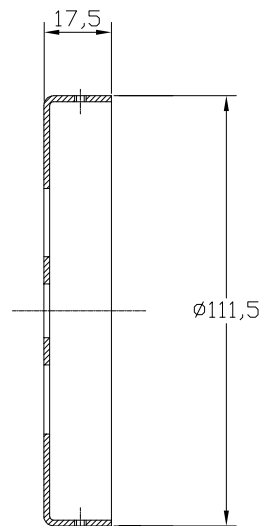
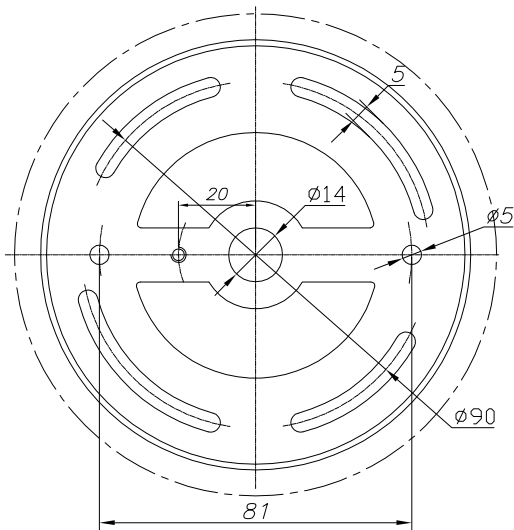
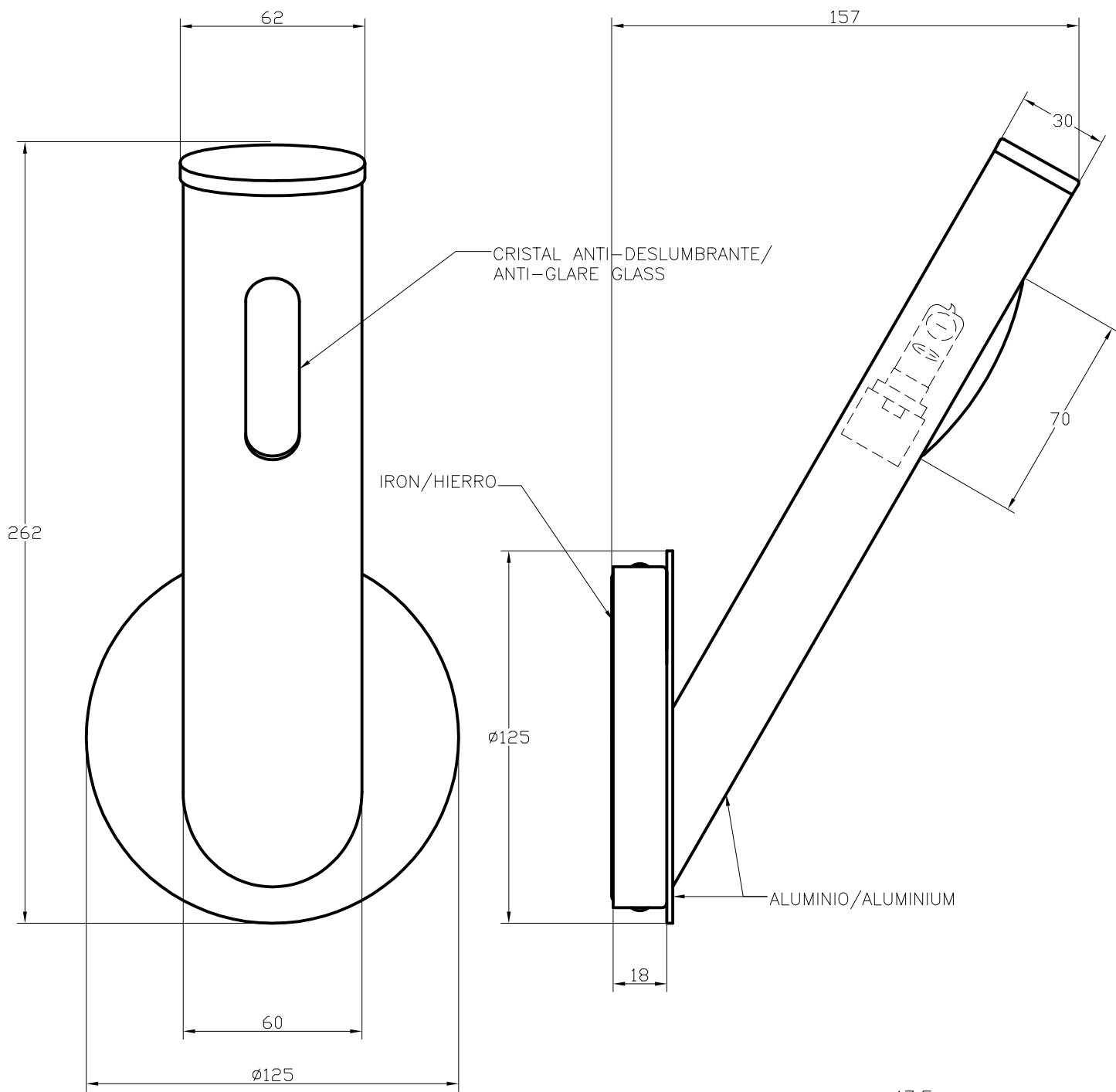
Type:	Wall fixture
IP Protection degrees:	IP20
Lampholder:	1 x G9
Power (W):	G9 MAX 75W
Bulb included:	1 x G9 60W
Total power consumption (W):	75
Voltage / Frequency:	220-240V/50-60Hz
Units per box:	6
Net Weight (Kg):	0.75
EAN:	8435071425414



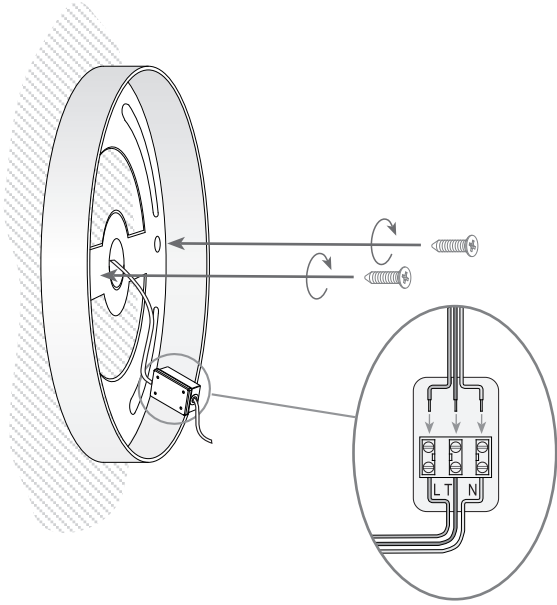
MATERIALS / FINISHES

Structure material:	Satin aluminium	Diffuser material:	Glass
		Diffuser finish:	Tinted

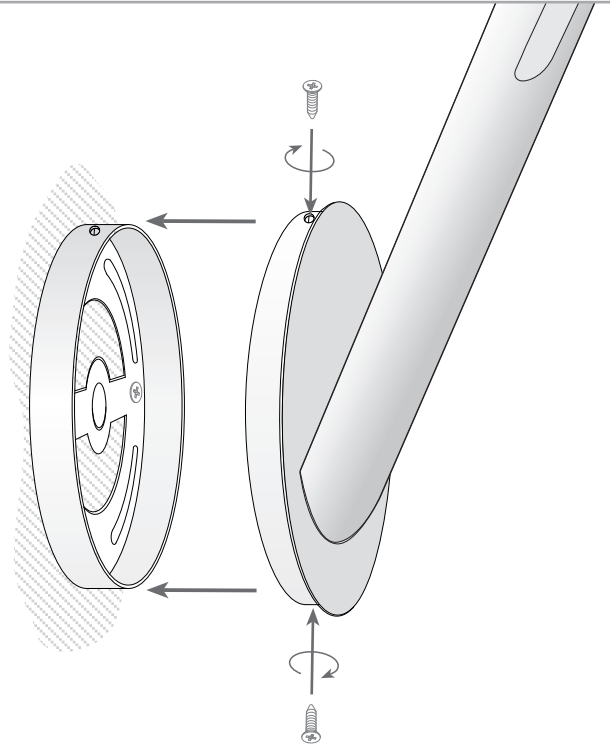
[Download photometric file .ldt / .ies](#)



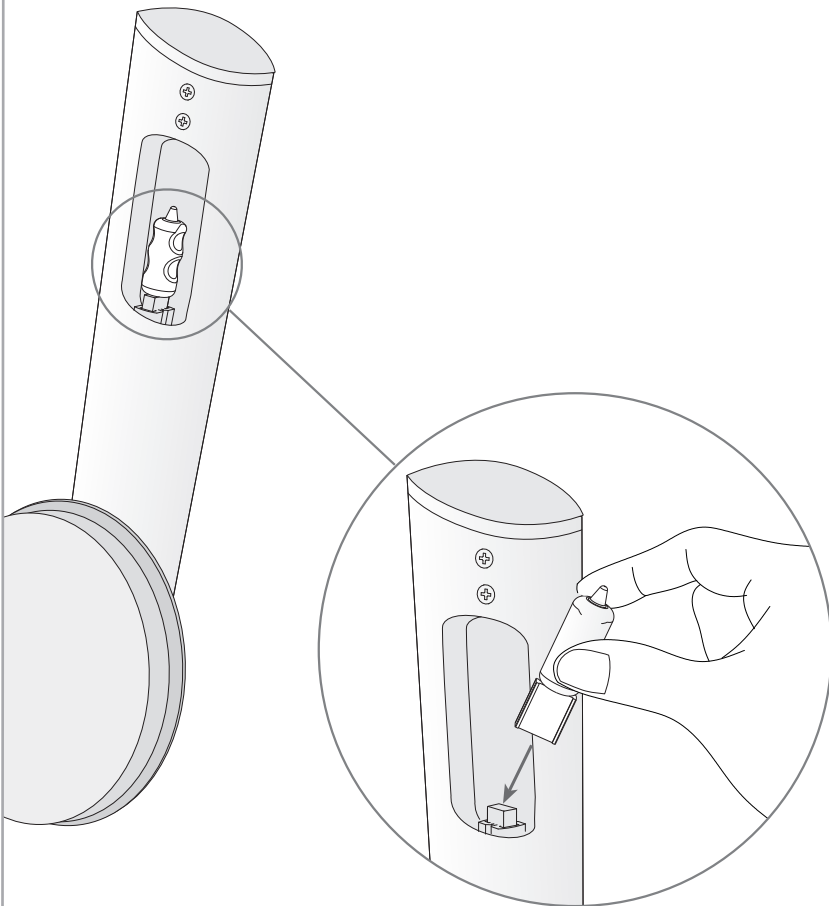
1



2



3



4

