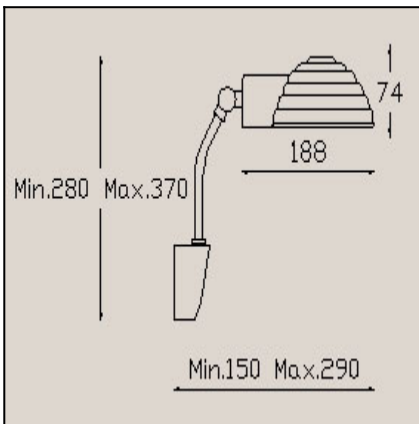


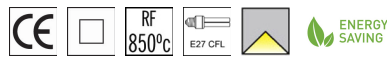


The photograph may not match the reference exactly. Please read the product description to identify the finish.



TECHNICAL CHARACTERISTICS

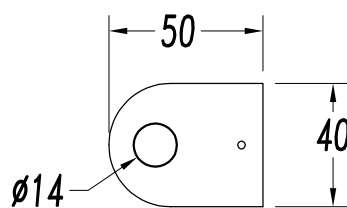
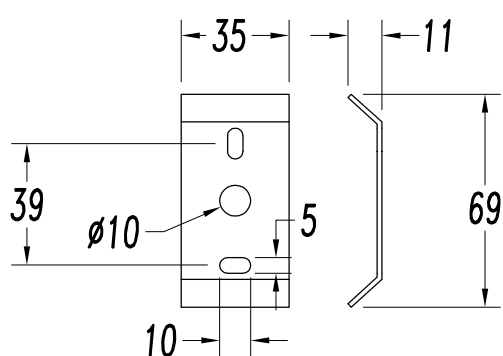
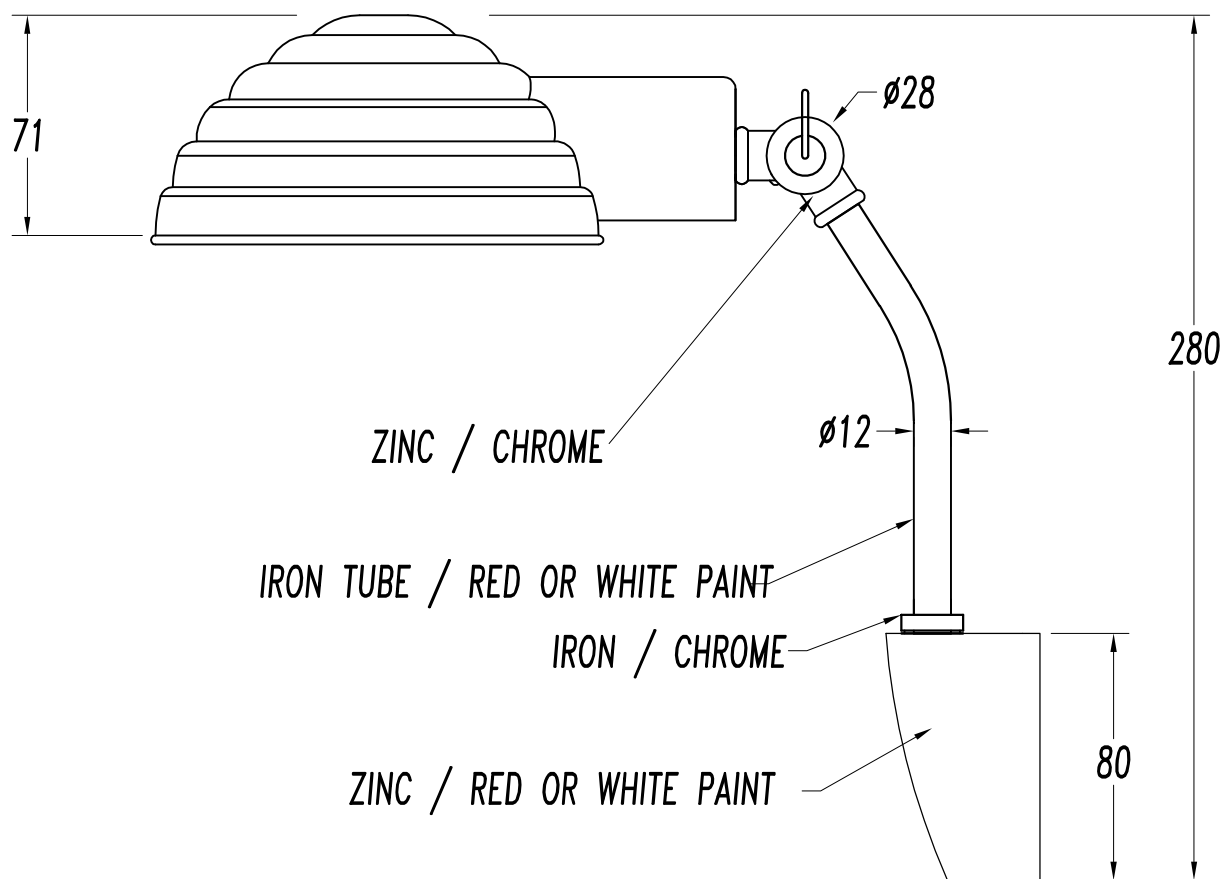
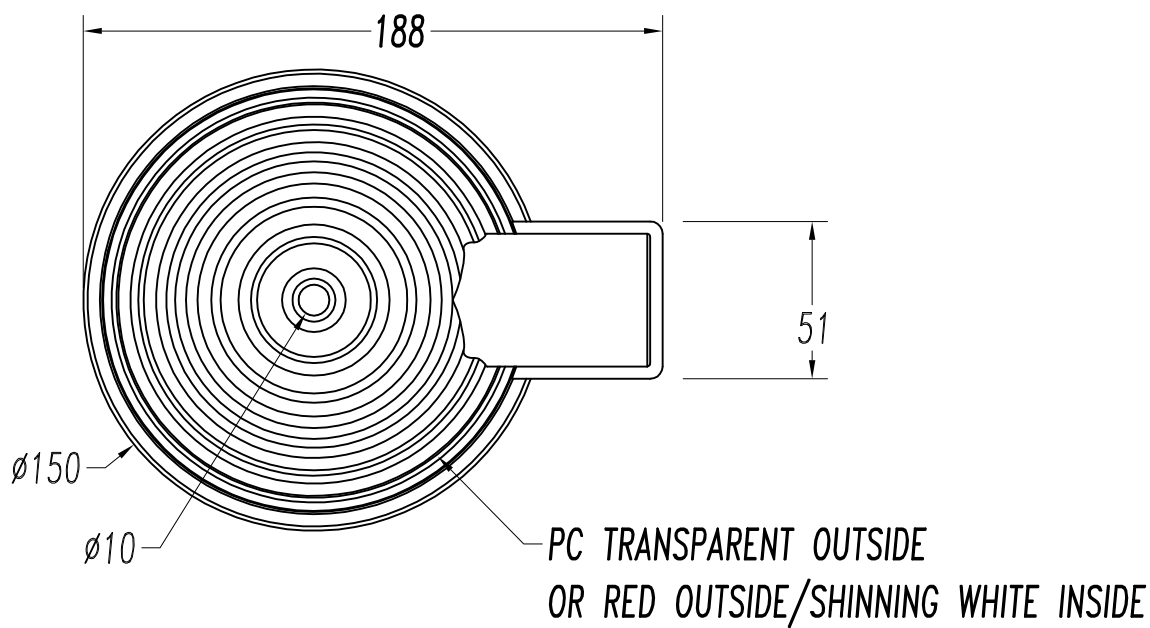
Type:	Wall fixture
Adjustable 355° on the horizontal axis.	
Adjustable ±180° on the horizontal axis.	
Adjustable ±180° on the vertical axis	
IP Protection degrees:	IP20
Lampholder:	1 x E27
Power (W):	E27 18
Voltage / Frequency:	220-240V/50-60Hz
Warranty (Years):	2
Units per box:	8
Net Weight (Kg):	0.6
EAN:	8435111092125,00



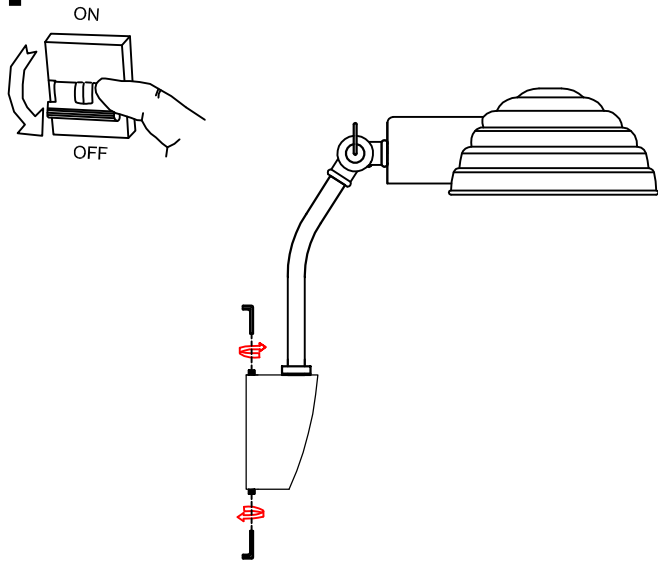
MATERIALS / FINISHES

Structure material: Steel Aluminium	Diffuser material: Polycarbonate
Structure finish: White Chrome	Diffuser finish: White Red

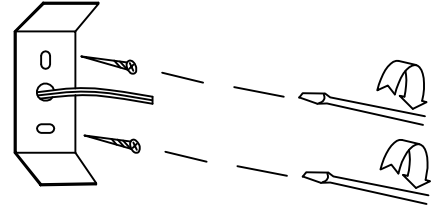
Download photometric file .ldt / .ies



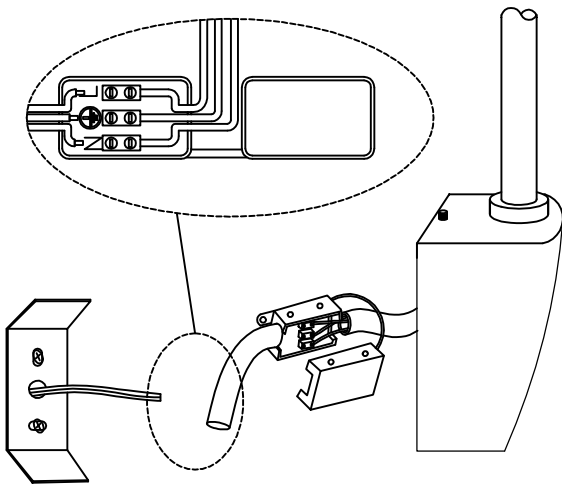
1



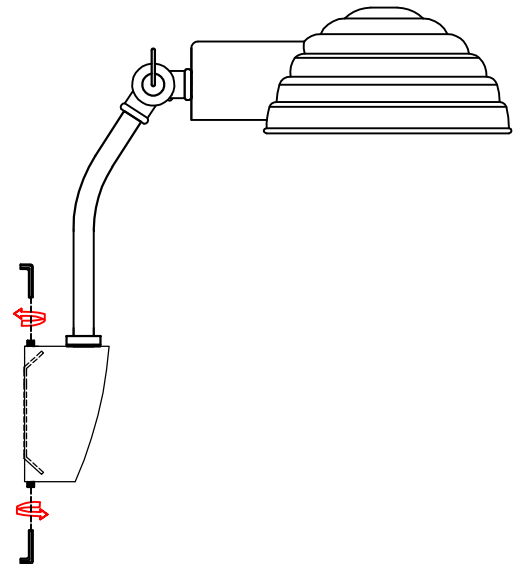
2



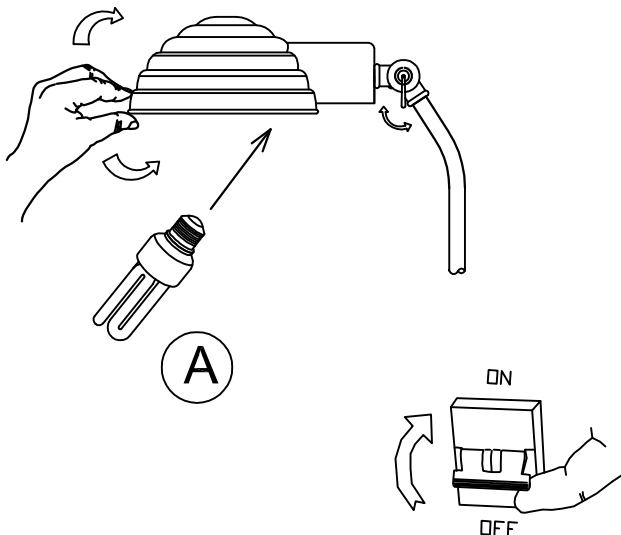
3



4



5



6

