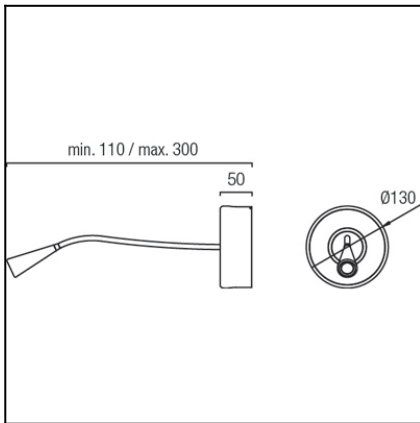


**Design by Nahtrang Design**

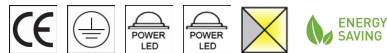

The photograph may not match the reference exactly. Please read the product description to identify the finish.



Download photometric file .ldt / .ies

**TECHNICAL CHARACTERISTICS**

Type:	Wall fixture
IP Protection degrees:	IP20
Bulb:	2 x LED Samsung. Warm White - 3000K 1 x LED Cree. Warm White - 3000K
Power (W):	8W 3W
Total power consumption (W):	12.5
Luminous efficacy (Lm/W):	45, 73
LED lifetime (h):	30000, 50.000
Voltage / Frequency:	220-240V/50-60Hz
Possibilitat extensió garantia:	Sí, 5 anys
Units per box:	8
Net Weight (Kg):	0.795
EAN:	8435111091784


**MATERIALS / FINISHES**

<b>Structure material:</b>	Injected aluminium Steel	<b>Diffuser material:</b>	Methacrylate
<b>Structure finish:</b>	Matt white Chrome	<b>Diffuser finish:</b>	Transparent

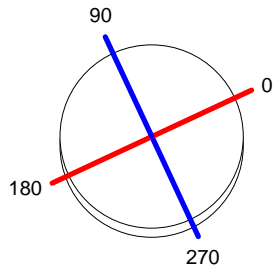
**GEAR**

Multi-voltage electronic gear included (220-240V / 50-60 Hz)

Luminaire		Measur.		Lamp	
Code	05-0658-BW-BW	Code	05-0658-BW-BW	Code	05-0658-BW-BW
Name	Aplique LOW leds 2x4W + 3W	Name	Aplique leds LOW 2x4W + 3W	Number	1
Line	- LEDS C4 LEDS	Date	18-03-2013	Position	Universal
Efficiency	100.00%	Coordinate system	CG	Total Flux	515.50 lm
Maximum value	924.41 cd	Position	C=270.00 G=40.00	Sym. on planes	270-90
Round Luminaire	Diam. 130 mm	Height	300 mm		
Round Luminous Area	Diam. 17 mm	Height	0 mm		
Horizontal Luminous Area	0.000227 m2	Emitting area on Plane 180°	0.000000 m2		
Emitting area on Plane 0°	0.000000 m2	Emitting area on Plane 270°	0.000000 m2		
Emitting area on Plane 90°	0.000000 m2	Glare area at 76°	0.000055 m2		
Symmetry Type	Sym. on planes 270-90	Maximum Gamma Angle	180		
Measurement Distance	6.44	Measurement Flux	515.50 lm		
Operator	Asselum T2	Source voltage	230.00 V		
Temperature	20.00 °C	Source current			
Humidity	49.00 %	Photocell	PRC		
Notes					

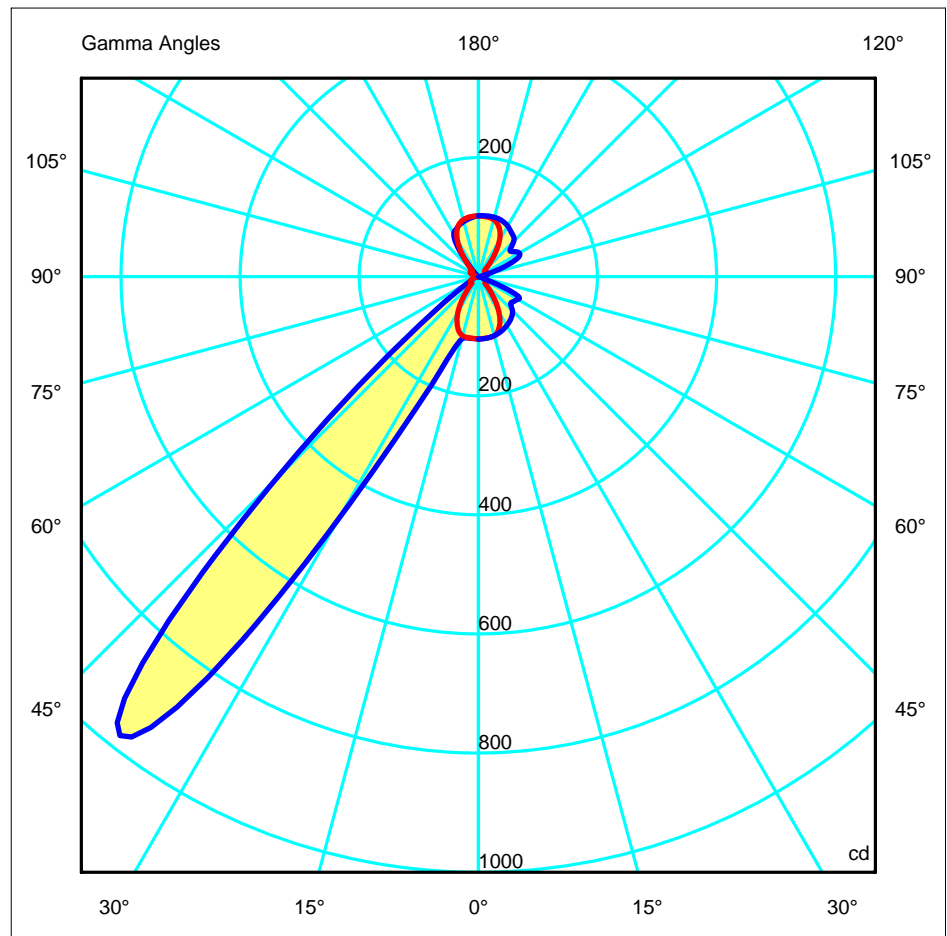
Luminaire Lamps					
Line	Code	Name	Flux [lm]	Pow. [W]	Q.ty
- LEDS C4 LEDS	05-0658-BW-BW	Lámpara led blanco cálido 11W	515.50	11.00	1
C.I.E.	59 87 97 59 100	D DIN 5040	C41		
F UTE	0.59 D + 0.41 T	B NBN	BZ 3 / 3 / BZ 4		

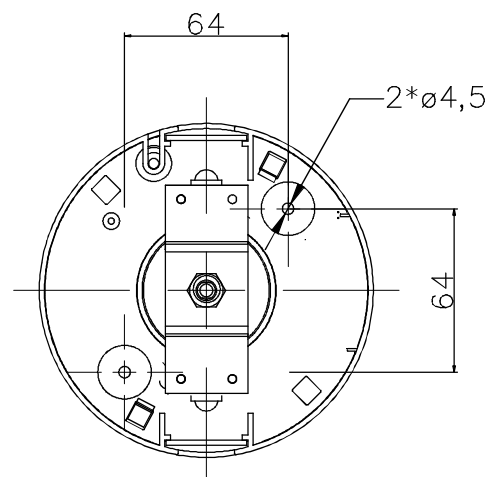
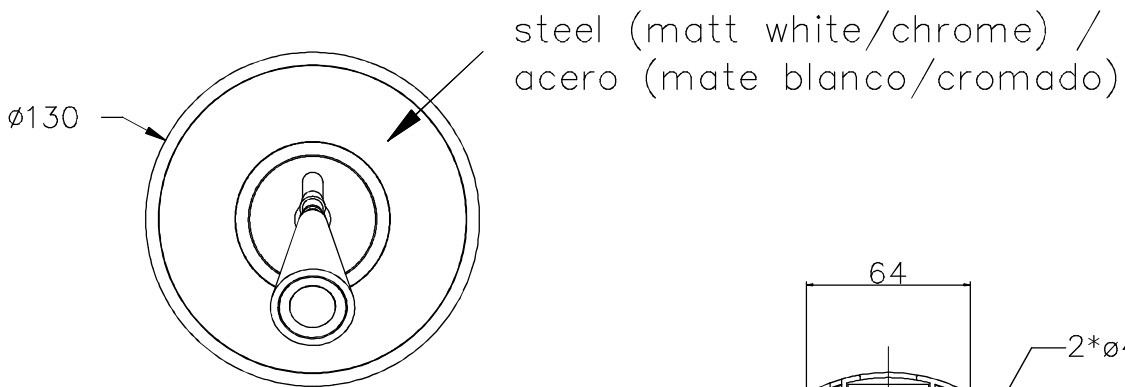
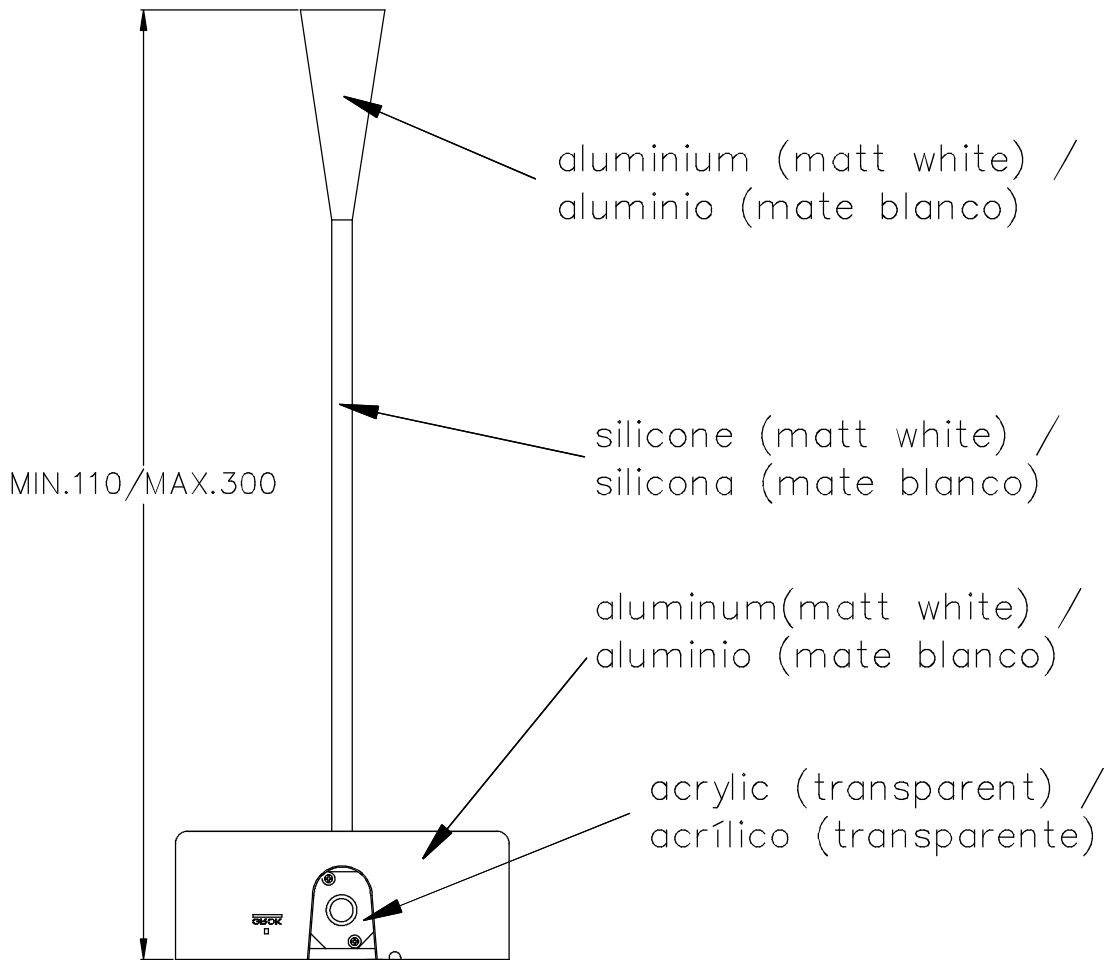
Diam=130mm



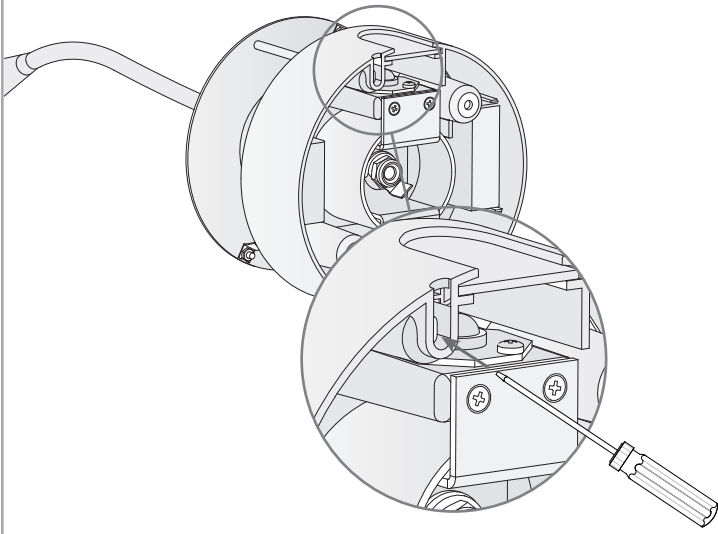
C Halfplanes  
 270.0 ————  
 180.0 ———— 0.0  
 ———— 90.0

ULOR 40.85 %  
 DLOR 59.15 %  
 RN 40.85 %

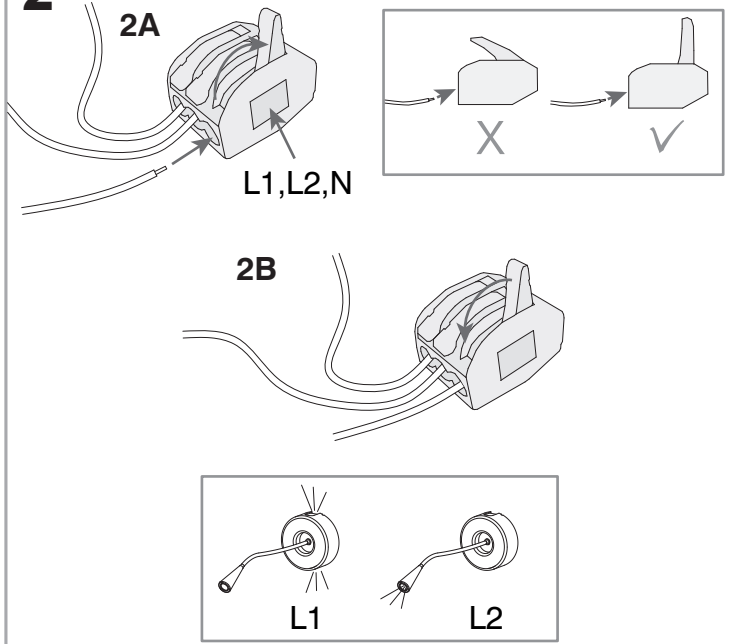




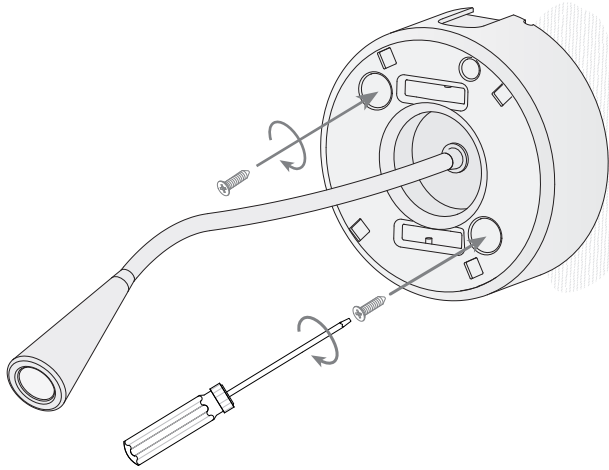
1



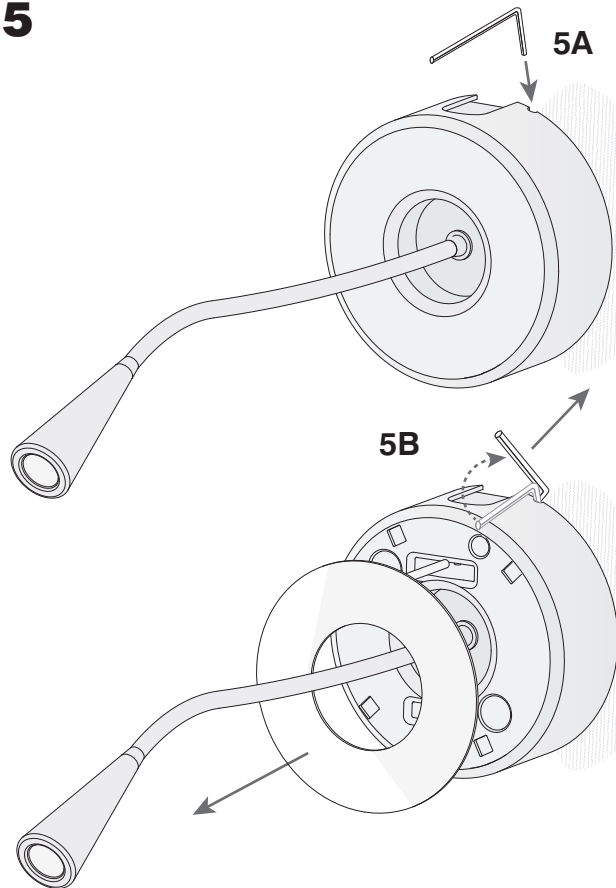
2



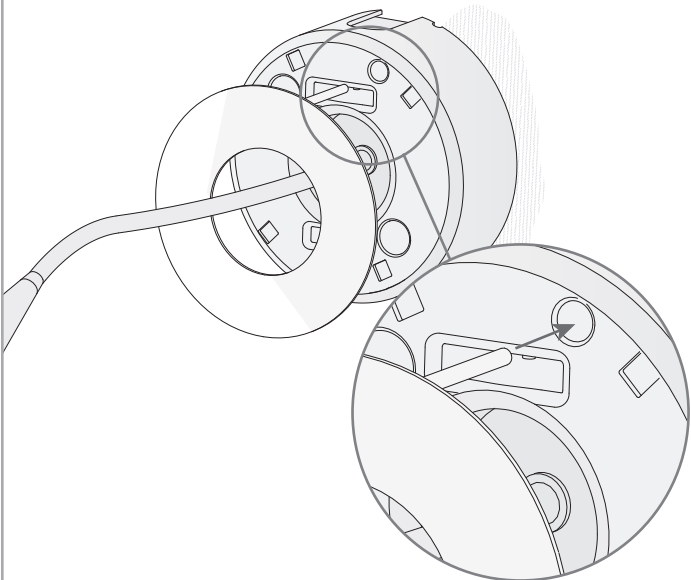
3



5



4



6

