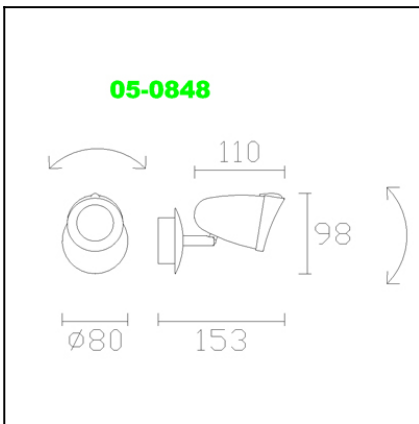




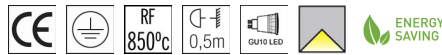
The photograph may not match the reference exactly. Please read the product description to identify the finish.



Download photometric file .ldt / .ies

TECHNICAL CHARACTERISTICS

Type:	Wall fixture
Adjustable from 0° to 90° on the horizontal axis	
Adjustable 355° on the horizontal axis.	
IP Protection degrees:	IP20
Lampholder:	1 x GU10
Power (W):	GU10 6
Total power consumption (W):	6
Voltage / Frequency:	220-240V/50-60Hz
Warranty (Years):	2
Units per box:	8
Net Weight (Kg):	0.355
EAN:	8435111098073,00



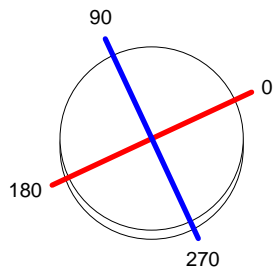
MATERIALS / FINISHES

Structure material:	Steel
	Injected aluminium
Structure finish:	Off-white
	Chrome

Luminaire		Measur.		Lamp	
Code	05-0848-16-21	Code	05-1513-21-21	Code	DICROICA LEDS 6W
Name	Aplique led 6W GU10	Name	Aplique led 6W GU10	Number	1
Line	- LEDS C4 LEDS	Date	18-01-2013	Position	Universal
Efficiency	98.70%	Coordinate system	C-G	Total Flux	400.00 lm
Maximum value	553.97 cd	Position	C=0.00 G=0.00	Double Symmetrical	
Round Luminaire	Diam.	72 mm	Height	140 mm	
Round Luminous Area	Diam.	32 mm	Height	0 mm	
Horizontal Luminous Area	0.000804 m2	Emitting area on Plane 180°	0.000000 m2		
Emitting area on Plane 0°	0.000000 m2	Emitting area on Plane 270°	0.000000 m2		
Emitting area on Plane 90°	0.000000 m2	Glare area at 76°	0.000195 m2		
Symmetry Type	Double Symmetrical	Maximum Gamma Angle	90		
Measurement Distance	0.51	Measurement Flux	400.01 lm		
Operator	Asselum T3	Source voltage	230.00 V		
Temperature	20.00 °C	Source current			
Humidity	50.00 %	Photocell	Czibula Grundmann		
Notes					

Luminaire Lamps						
Line	Code	Name	Fluxlm	Pow.W	Qta	
- LEDS C4 LEDS	DICROICA LEDS 6W	Lámpara led blanco 6W	400.00	6.00	1	
C.I.E.	75 89 97 100 99	D DIN 5040				A60
F UTE	0.99 B	B NBN				BZ 1 / 2 / BZ 2

Diam=72mm



C Halfplanes

180.0 — 0.0
270.0 — 90.0

ULOR 0.00 %
DLOR 98.70 %
RN 0.00 %

