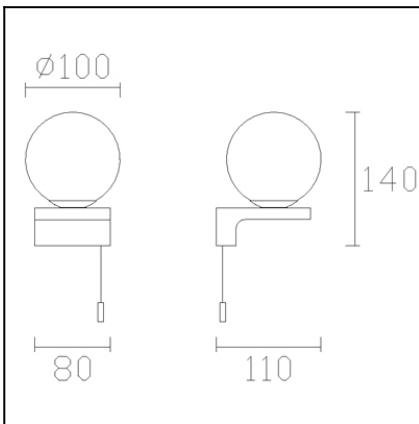


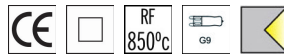


The photograph may not match the reference exactly. Please read the product description to identify the finish.



TECHNICAL CHARACTERISTICS

Type:	Wall fixture
IP Protection degrees:	IP44
Lampholder:	1 x G9
Power (W):	G9 40
Total power consumption (W):	40
Voltage / Frequency:	220-240V/50-60Hz
Warranty (Years):	2
Units per box:	6
Net Weight (Kg):	0.5
EAN:	8435111097465,00



MATERIALS / FINISHES

Structure material: Zamak
Steel

Structure finish: Chrome

Diffuser material: Tempered glass

Diffuser finish: Opal white

[Download photometric file .ldt / .ies](#)

Report No.: 05-1380

Test Time: 2012-12-7 15:58

Luminaire Property

Luminaire Manufacturer: LEDS-C4
 Luminaire Category: 05-1380
 Lamp Catalog: HALOGEN
 Number of Lamps: 1
 Luminous Length (mm): 100
 Luminous Height (mm): 140
 Current: 0.159 A
 Power Factor: 0.999

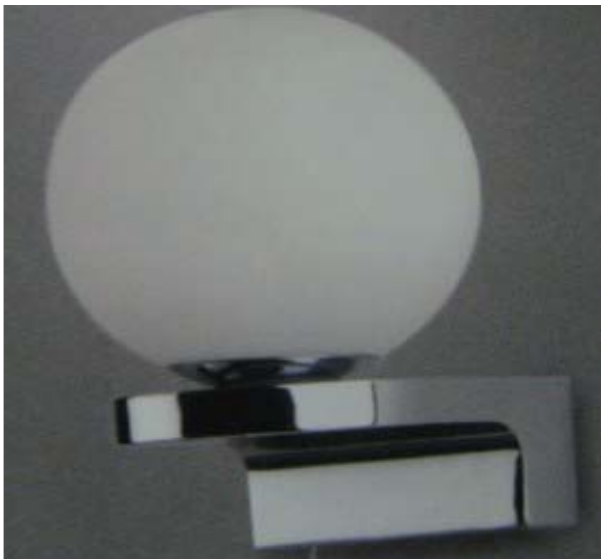
Luminaire Description: ORION
 Lamp Description: G9 40W
 Lumens per Lamp: 450
 Luminous Width (mm): 110
 Voltage: 220.9 V
 Power: 35.10 W

Photometric Results

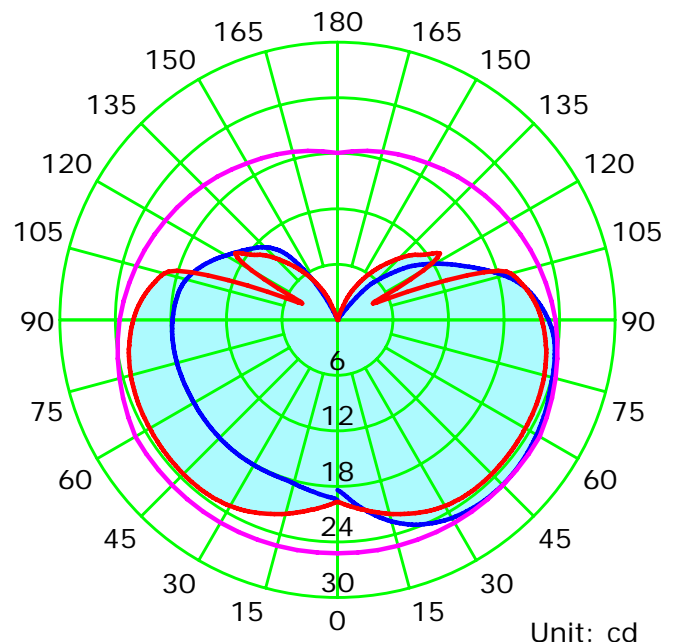
CIE Class: Semi-Direct
 Measurement Flux: 208.6 lm
 Downward Ratio: 31.13%
 Horizontal Diffuse Angle(10%,20%,50%,75%): H293.4,H287.4,H259,H221.5
 Vertical Diffuse Angle(10%,20%,50%,75%): V313.6,V299.1,V253.6,V214.7
 Luminaire Efficacy Rating (LER): 6
 Max. Intensity: 25.31 cd

Total Rated Lamp Lumens: 450.0 lm
 Efficiency: 46.35%
 Upward Ratio: 15.22%
 Central Intensity: 18.39 cd
 Pos of Max. Intensity: H30 V43

Picture Of Luminaire



Luminous Intensity Distribution Curve



Average Diffuse Angle(50%): 256.3°

— C0-C180 — C90-C270 — G43

C Plane (°):0.0-180.0: 30.0

Test Lab:

Test Type: TYPE C

Temperature:

Operator:

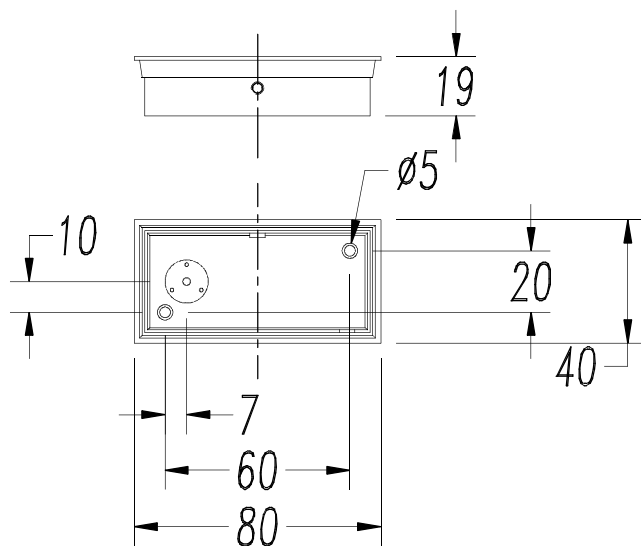
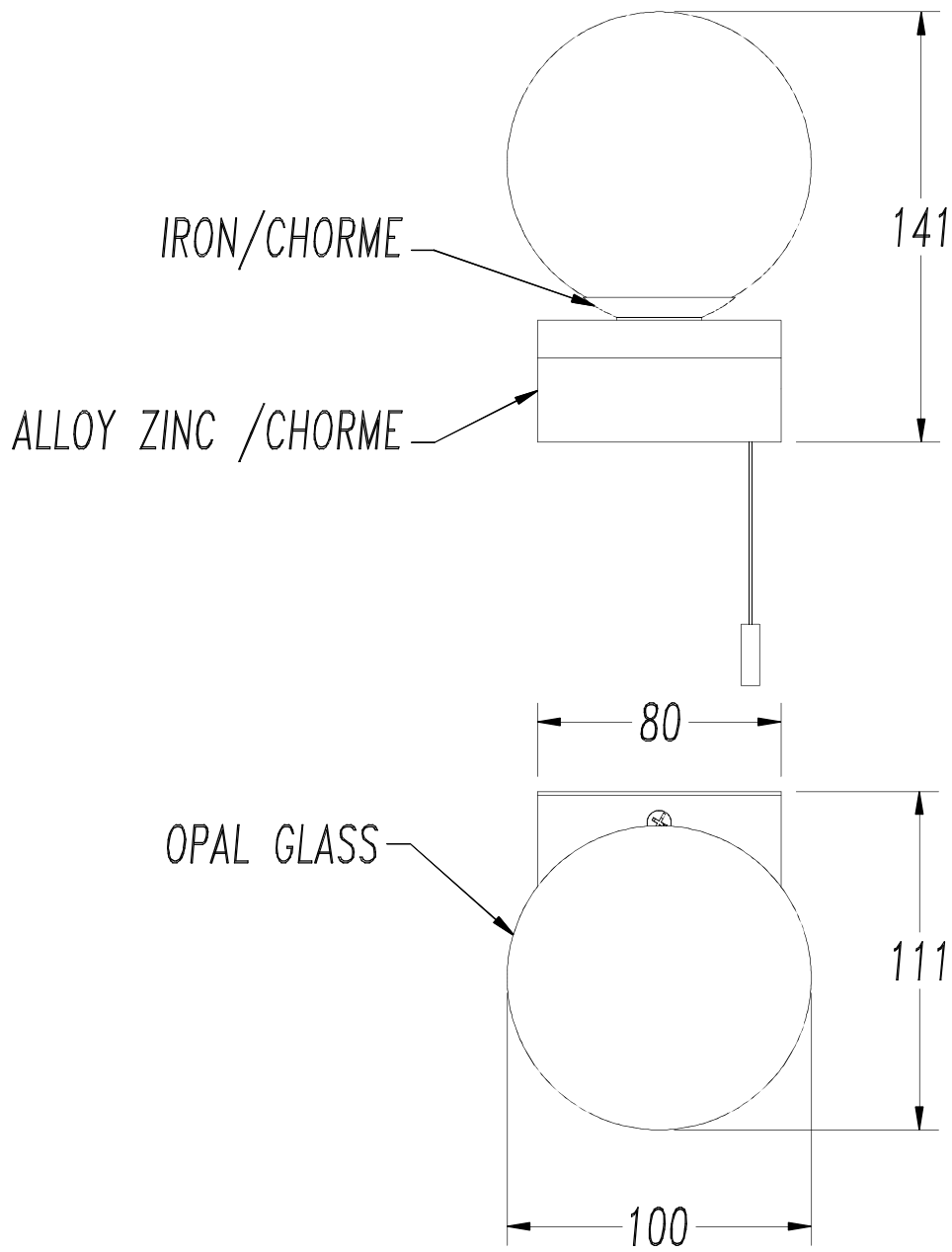
Gamma Plane (°):0.0-180.0:1.0

Test Device: GPM-1800B

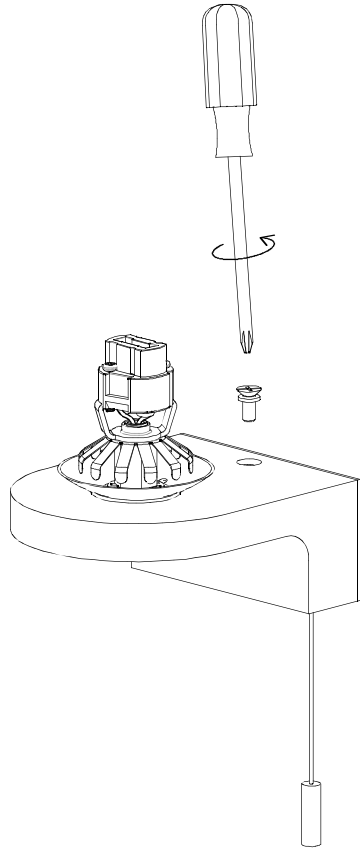
Distance: 5.107 m

Humidity:

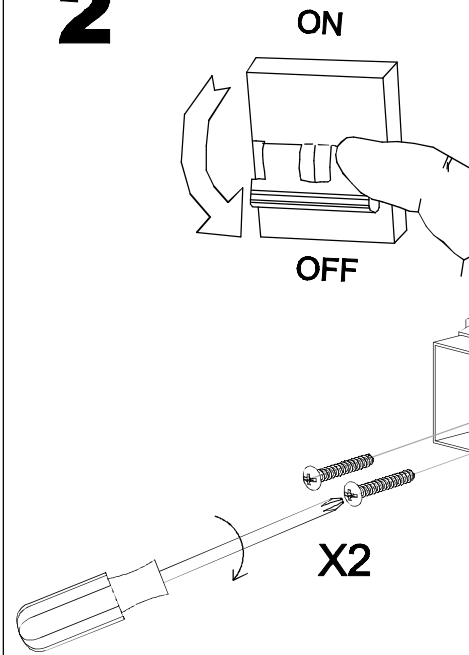
Inspector:



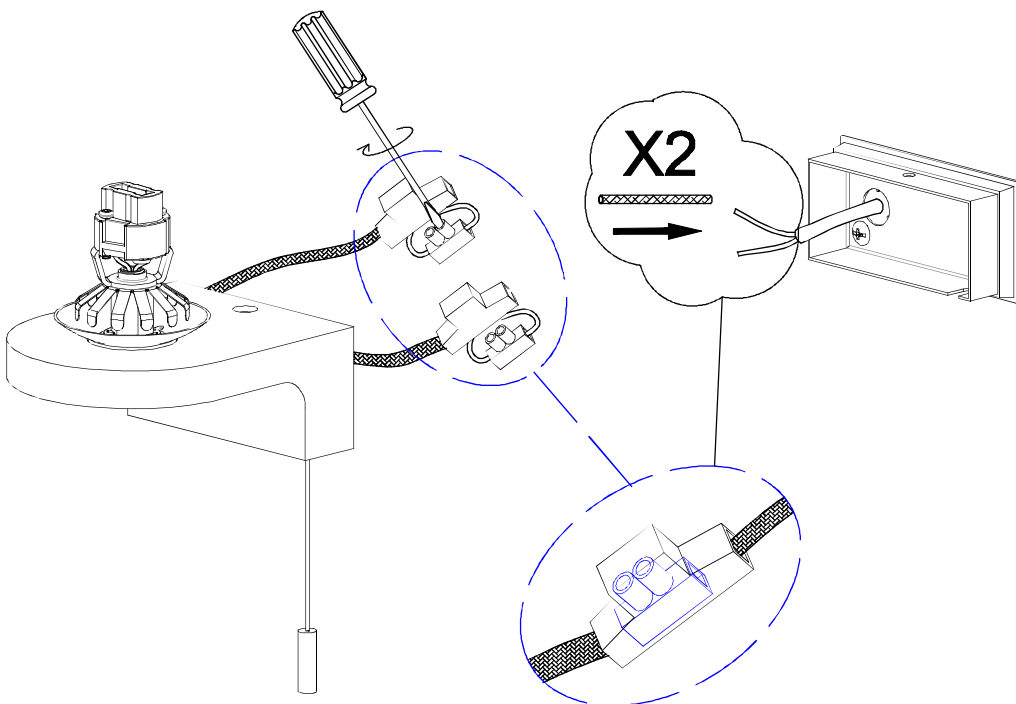
1



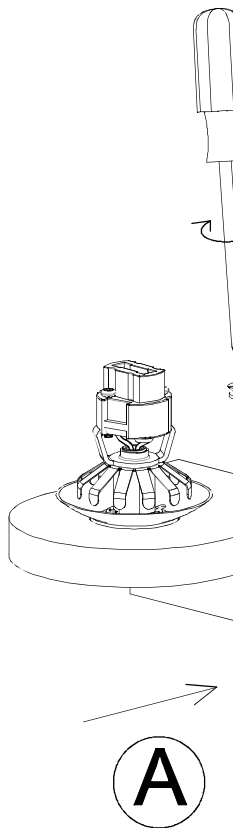
2



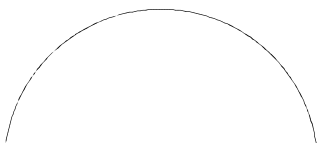
3



4



5



6