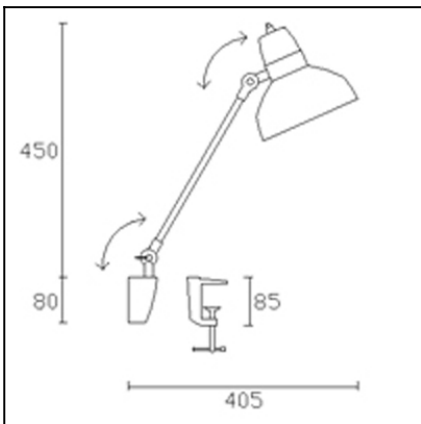




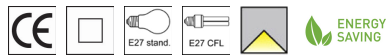
The photograph may not match the reference exactly. Please read the product description to identify the finish.



Download photometric file .ldt /.ies

TECHNICAL CHARACTERISTICS

| | |
|---|--------------------|
| Type: | Wall fixture |
| Adjustable $\pm 180^\circ$ on the vertical axis | |
| Adjustable $\pm 90^\circ$ on the horizontal axis. | |
| Lampholder: | 1 x E27 1 x E27 |
| Power (W): | E27 60 E27 14 |
| Voltage / Frequency: | 220-240V/50-60Hz |
| Warranty (Years): | 2 |
| Units per box: | 1 |
| Net Weight (Kg): | 1.16 |

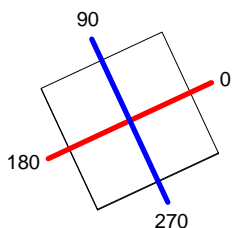

MATERIALS / FINISHES

| | |
|----------------------------|-----------------|
| Structure material: | Steel |
| Structure finish: | Black Chrome |

| | | | | | | |
|----------------------------|--------------|-----------------------------|-----------------|--------------|--------------|------|
| Luminaire | | Measur. | | Lamp | | |
| Code | 05-1530 | Code | 05-1530 | Code | INCANDESCENT | |
| Name | DESK LAMP | Name | DESK LAMP | Number | 1 | |
| Line | Eulumdat | Date | 16-11-2013 | Position | | |
| Efficiency | 64.77% | Coordinate system | CG | Total Flux | 710.00 lm | |
| Maximum value | 170.12 cd | Position | C=270.00 G=2.00 | Asymmetrical | | |
| Rectangular Luminaire | Length | 180 mm | Width | 180 mm | Height | 1 mm |
| Rectangular Luminous Area | Length | 180 mm | Width | 180 mm | Height | 0 mm |
| Horizontal Luminous Area | 0.032400 m2 | Emitting area on Plane 180° | | 0.000000 m2 | | |
| Emitting area on Plane 0° | 0.000000 m2 | Emitting area on Plane 270° | | 0.000000 m2 | | |
| Emitting area on Plane 90° | 0.000000 m2 | Glare area at 76° | | 0.007838 m2 | | |
| Symmetry Type | Asymmetrical | Maximum Gamma Angle | | 90 | | |
| Measurement Distance | 0.00 | Measurement Flux | | 710.00 lm | | |
| Operator | | Source voltage | | | | |
| Temperature | 25.00 °C | Source current | | | | |
| Humidity | 60.00 % | Photocell | | | | |
| Notes | | | | | | |

| Luminaire Lamps | | | | | | |
|-----------------|-----------------|------------------------|-----------|----------|------|--|
| Line | Code | Name | Flux [lm] | Pow. [W] | Q.ty | |
| Eulumdat | INCANDESCENT | INCANDESCENT - 57.40 W | 710.00 | 57.40 | 1 | |
| C.I.E. | 48 83 97 100 65 | D DIN 5040 | | A30 | | |
| F UTE | 0.65 E | B NBN | | BZ 4 | | |

180mm x 180mm



C Halfplanes

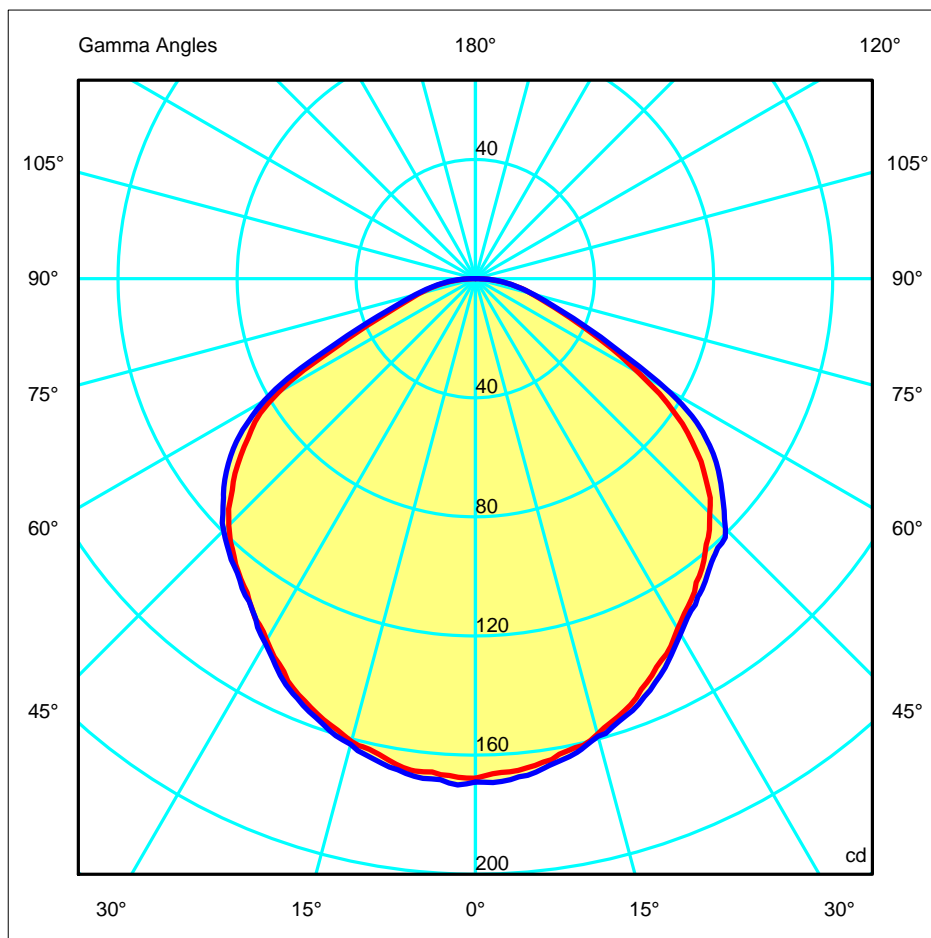
180.0 — 0.0

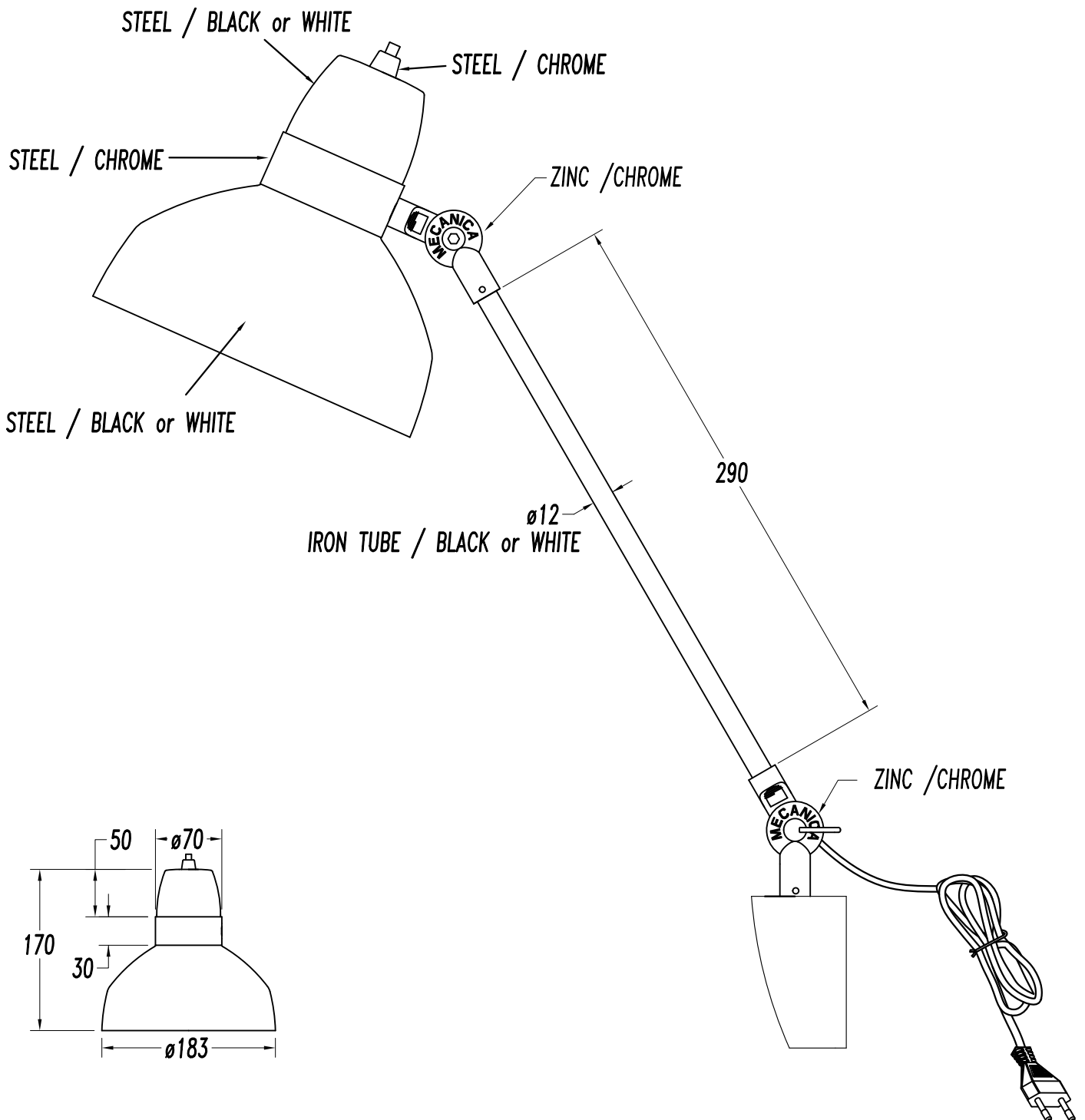
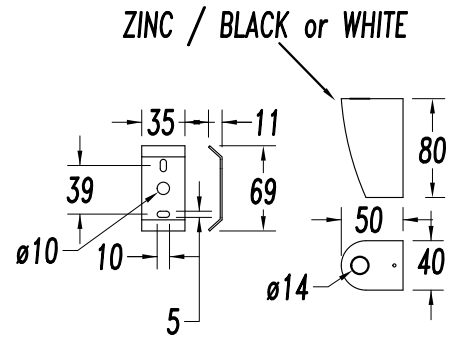
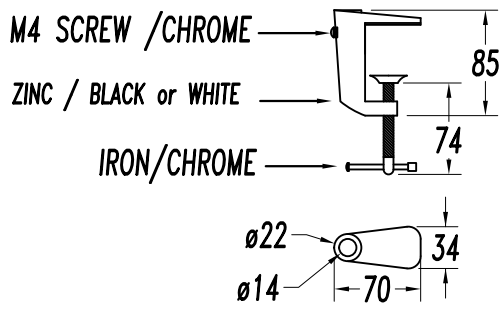
270.0 — 90.0

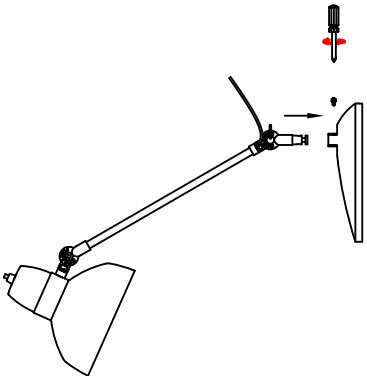
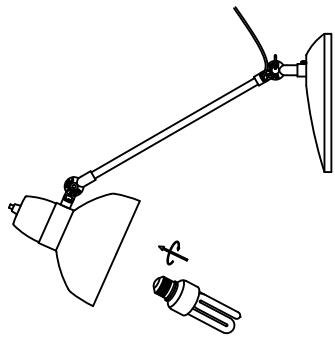
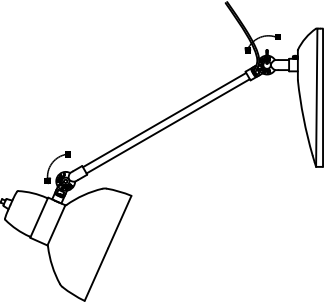
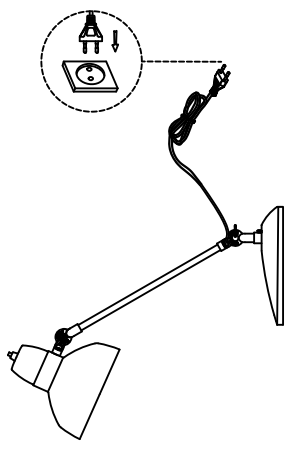
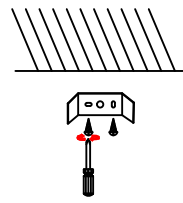
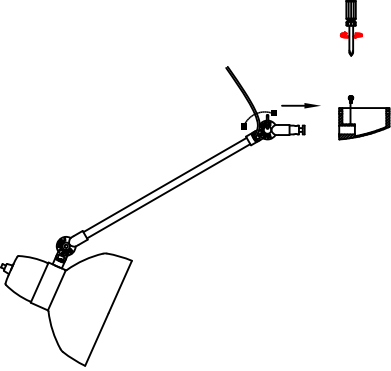
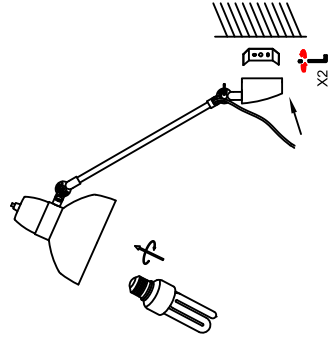
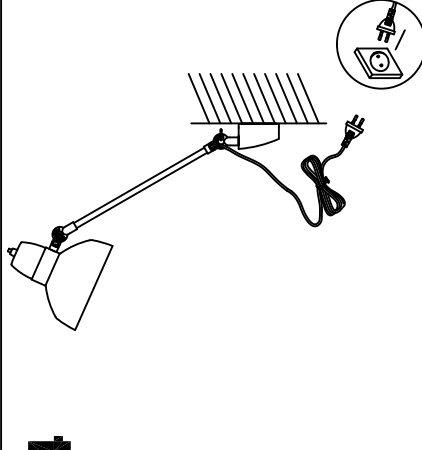
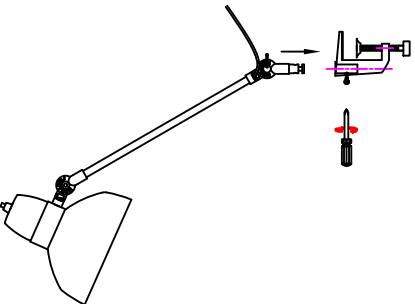
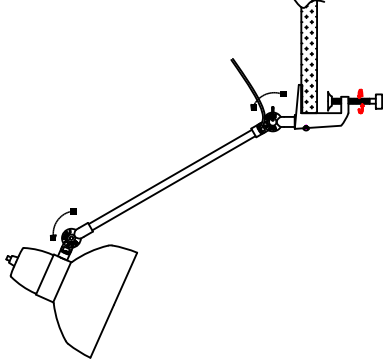
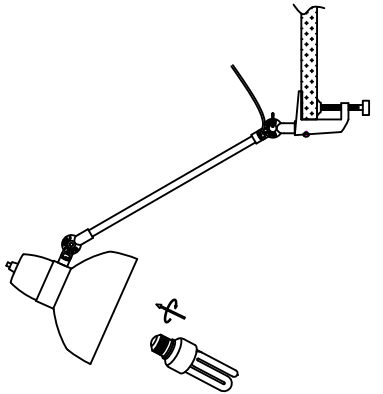
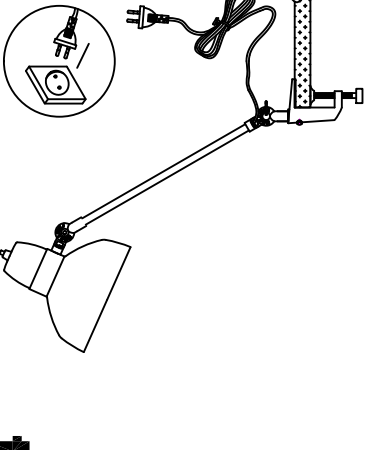
ULOR 0.00 %

DLOR 64.77 %

RN 0.00 %





| | | | |
|---|---|--|---|
| <p>1</p>  | <p>2</p>  | <p>3</p>  | <p>4</p>  |
| <p>1</p>  | <p>2</p>  | <p>3</p>  | <p>4</p>  |
| <p>1</p>  | <p>2</p>  | <p>3</p>  | <p>4</p>  |