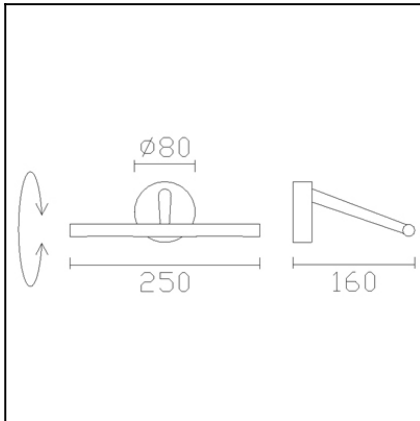




The photograph may not match the reference exactly. Please read the product description to identify the finish.



Download photometric file .ldt /.ies

### TECHNICAL CHARACTERISTICS

Type:	Wall fixture
Adjustable 355° on the horizontal axis.	
IP Protection degrees:	IP20
Bulb:	12 x LED. Warm White - 3000K
Power (W):	2.4
Total power consumption (W):	3.7
Luminous efficacy (Lm/W):	110
Voltage / Frequency:	110-240V/50-60Hz
Warranty (Years):	2
Option to extend the guarantee:	Yes, 5 years
Units per box:	12
Net Weight (Kg):	0.31
EAN:	8435111098905,00



### MATERIALS / FINISHES

<b>Structure material:</b>	Steel Extruded aluminium	<b>Diffuser material:</b>	Polycarbonate
<b>Structure finish:</b>	Chrome	<b>Diffuser finish:</b>	Bended and transparent

### GEAR

Multi-voltage electronic gear included (110-240 V / 50-60 Hz)

Report No.: 05-1577

Test Time: 2012-12-7 14:19

## Luminaire Property

Luminaire Manufacturer: LEDS-C4  
 Luminaire Category: 05-1577  
 Lamp Catalog: LEDS  
 Number of Lamps: 12  
 Luminous Length (mm): 250  
 Luminous Height (mm): 80  
 Current: 0.027 A  
 Power Factor: 0.400

Luminaire Description: SIENA LED  
 Lamp Description: 12LEDX0.2W  
 Lumens per Lamp: 15  
 Luminous Width (mm): 160  
 Voltage: 220.9 V  
 Power: 2.40 W

## Photometric Results

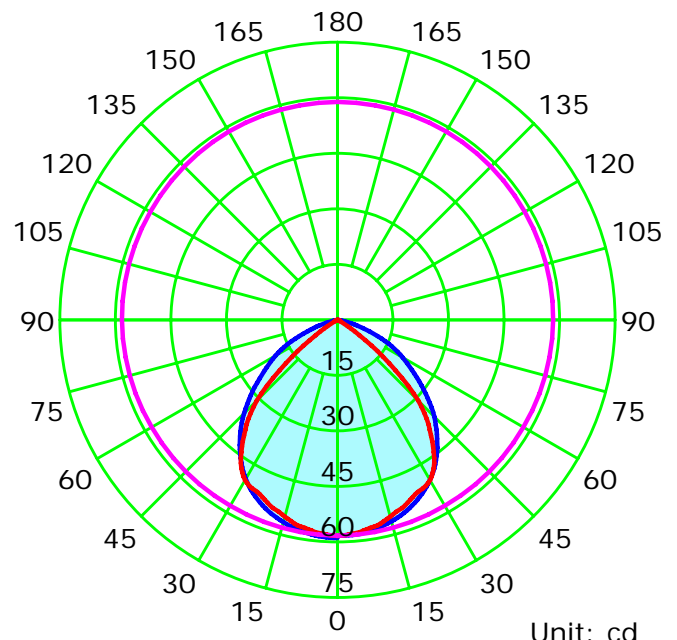
CIE Class: Direct  
 Measurement Flux: 125.2 lm  
 Downward Ratio: 69.53%  
 Horizontal Diffuse Angle(10%,20%,50%,75%): H145.8,H134.6,H102.1,H74.8  
 Vertical Diffuse Angle(10%,20%,50%,75%): V111.8,V105.9,V91.5,V72.6  
 Luminaire Efficacy Rating (LER): 52  
 Max. Intensity: 58.91 cd

Total Rated Lamp Lumens: 180.0 lm  
 Efficiency: 69.53%  
 Upward Ratio: 0.00%  
 Horizontal Diffuse Angle(10%,20%,50%,75%): H145.8,H134.6,H102.1,H74.8  
 Vertical Diffuse Angle(10%,20%,50%,75%): V111.8,V105.9,V91.5,V72.6  
 Central Intensity: 58.3 cd  
 Pos of Max. Intensity: H180 V1

Picture Of Luminaire



Luminous Intensity Distribution Curve



Average Diffuse Angle(50%): 96.8°

— C0-C180 — C90-C270 — G1

C Plane (°):0.0-180.0: 30.0

Test Lab:

Test Type: TYPE C

Temperature:

Operator:

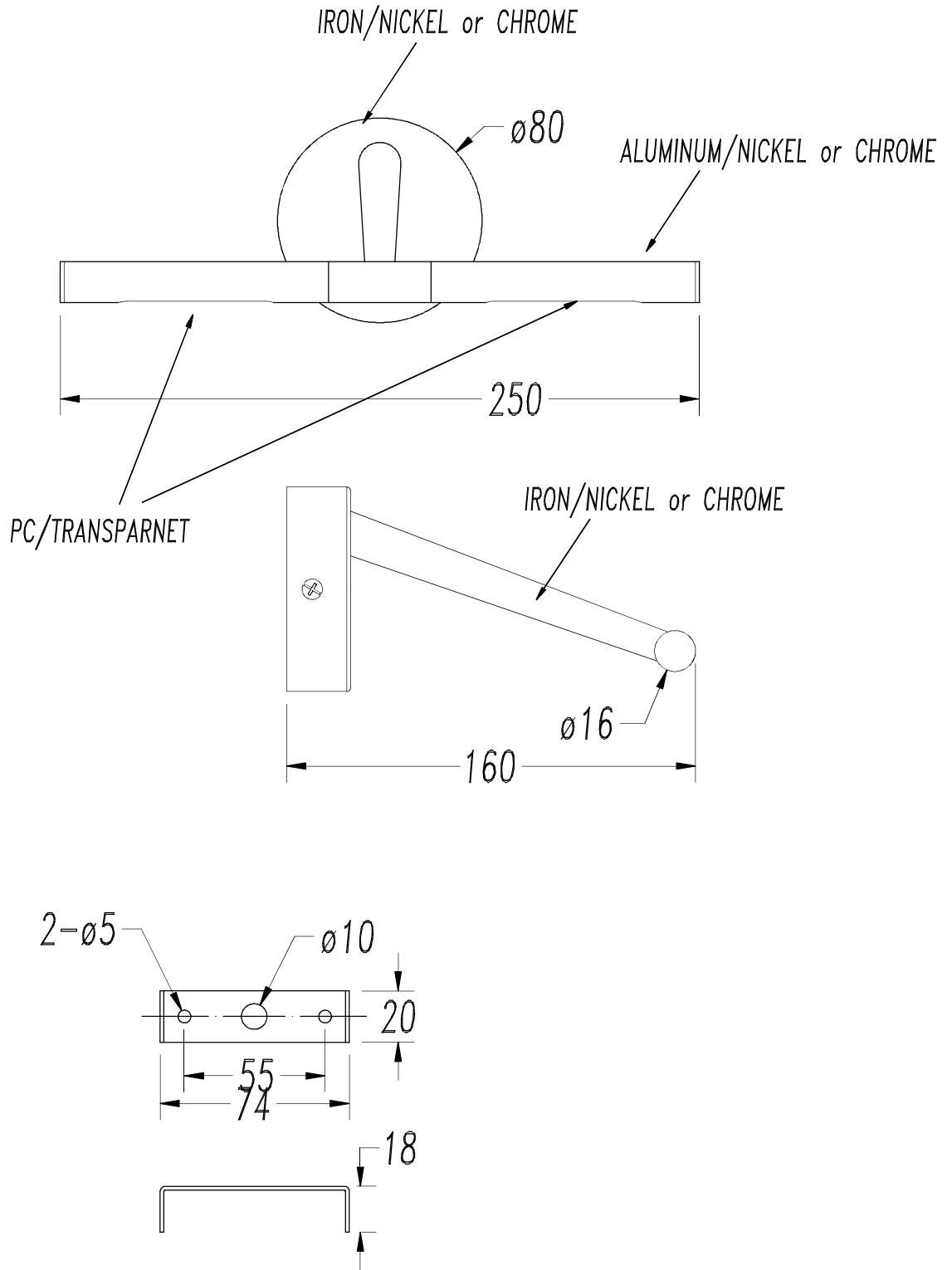
Gamma Plane (°):0.0-180.0:1.0

Test Device: GPM-1800B

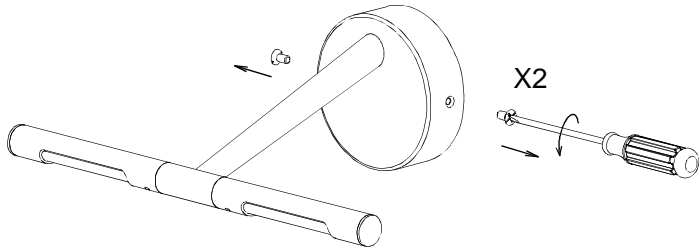
Distance: 5.107 m

Humidity:

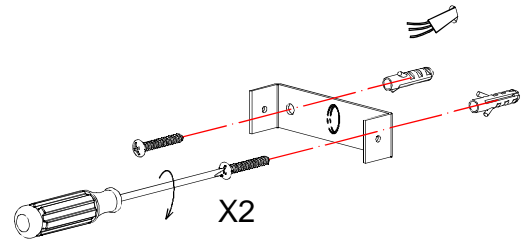
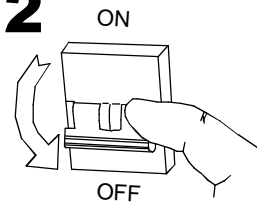
Inspector:



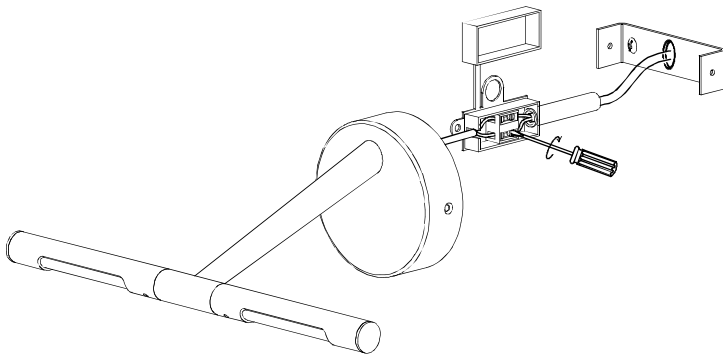
**1**



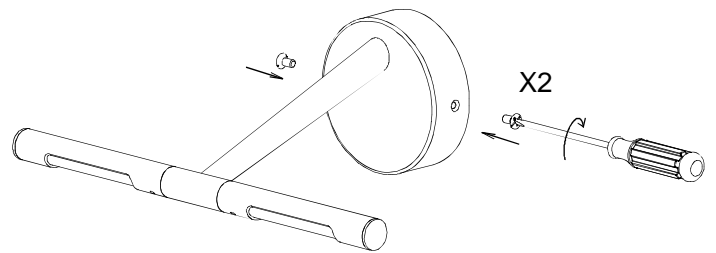
**2**



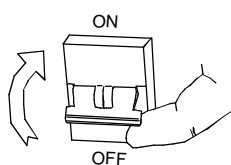
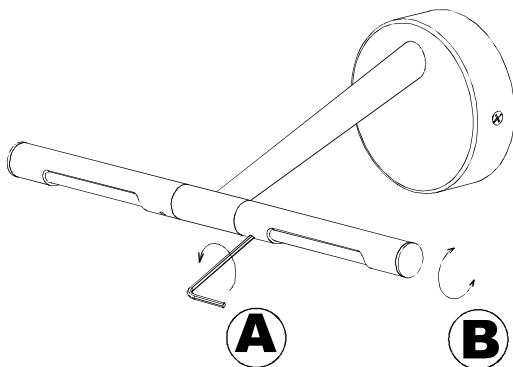
**3**



**4**



**5**



**6**

