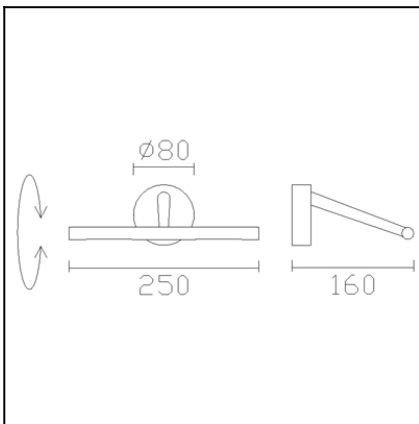




The photograph may not match the reference exactly. Please read the product description to identify the finish.



Download photometric file .ldt /.ies

TECHNICAL CHARACTERISTICS

Type:	Wall fixture
Adjustable 355° on the horizontal axis.	
IP Protection degrees:	IP20
Bulb:	12 x LED. Warm White - 3000K
Power (W):	2.4
Total power consumption (W):	3.7
Luminous efficacy (Lm/W):	110
Voltage / Frequency:	110-240V/50-60Hz
Warranty (Years):	2
Option to extend the guarantee:	Yes, 5 years
Units per box:	12
Net Weight (Kg):	0.31
EAN:	8435111098912,00



MATERIALS / FINISHES

Structure material:	Steel Extruded aluminium	Diffuser material:	Polycarbonate
Structure finish:	Satin nickel	Diffuser finish:	Bended and transparent

GEAR

Multi-voltage electronic gear included (110-240 V / 50-60 Hz)

Report No.: 05-1577

Test Time: 2012-12-7 14:19

Luminaire Property

Luminaire Manufacturer: LEDS-C4
 Luminaire Category: 05-1577
 Lamp Catalog: LEDS
 Number of Lamps: 12
 Luminous Length (mm): 250
 Luminous Height (mm): 80
 Current: 0.027 A
 Power Factor: 0.400

Luminaire Description: SIENA LED
 Lamp Description: 12LEDX0.2W
 Lumens per Lamp: 15
 Luminous Width (mm): 160
 Voltage: 220.9 V
 Power: 2.40 W

Photometric Results

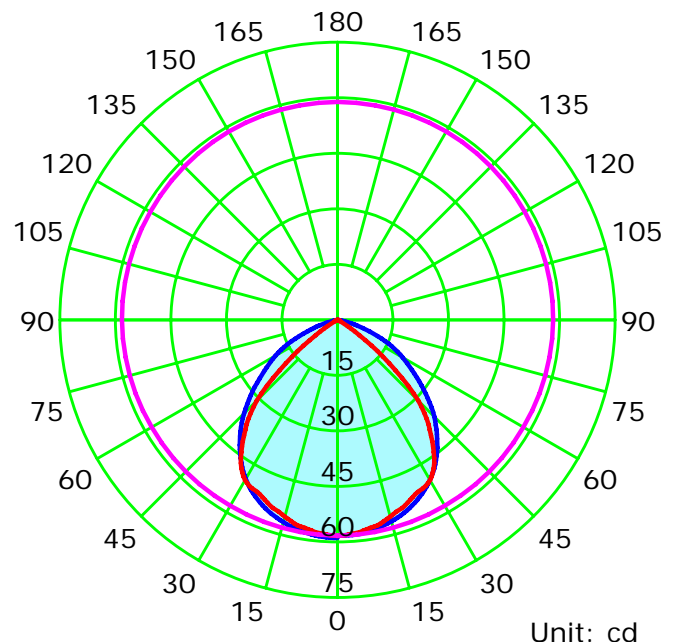
CIE Class: Direct
 Measurement Flux: 125.2 lm
 Downward Ratio: 69.53%
 Horizontal Diffuse Angle(10%,20%,50%,75%): H145.8,H134.6,H102.1,H74.8
 Vertical Diffuse Angle(10%,20%,50%,75%): V111.8,V105.9,V91.5,V72.6
 Luminaire Efficacy Rating (LER): 52
 Max. Intensity: 58.91 cd

Total Rated Lamp Lumens: 180.0 lm
 Efficiency: 69.53%
 Upward Ratio: 0.00%
 Horizontal Diffuse Angle(10%,20%,50%,75%): H145.8,H134.6,H102.1,H74.8
 Vertical Diffuse Angle(10%,20%,50%,75%): V111.8,V105.9,V91.5,V72.6
 Central Intensity: 58.3 cd
 Pos of Max. Intensity: H180 V1

Picture Of Luminaire



Luminous Intensity Distribution Curve



Average Diffuse Angle(50%): 96.8°

— C0-C180 — C90-C270 — G1

C Plane (°):0.0-180.0: 30.0

Test Lab:

Test Type: TYPE C

Temperature:

Operator:

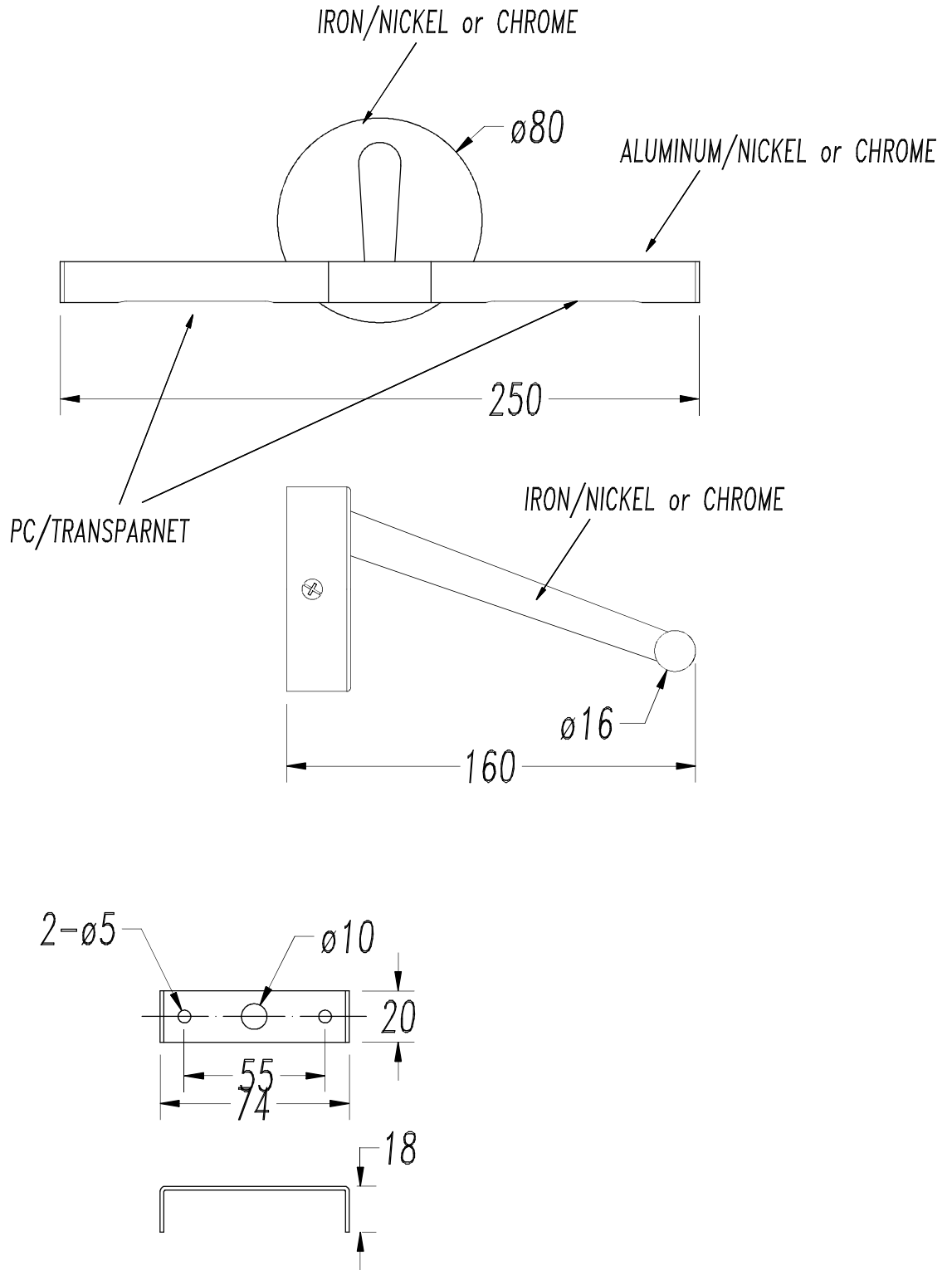
Gamma Plane (°):0.0-180.0:1.0

Test Device: GPM-1800B

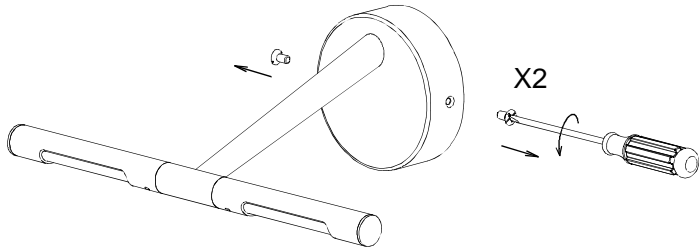
Distance: 5.107 m

Humidity:

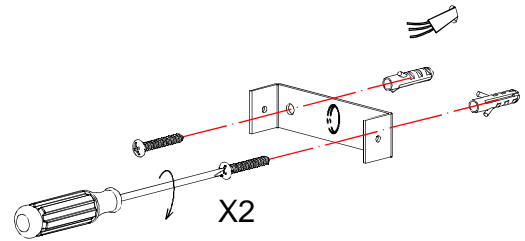
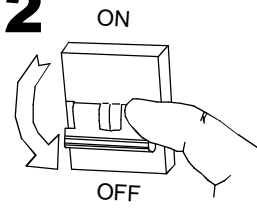
Inspector:



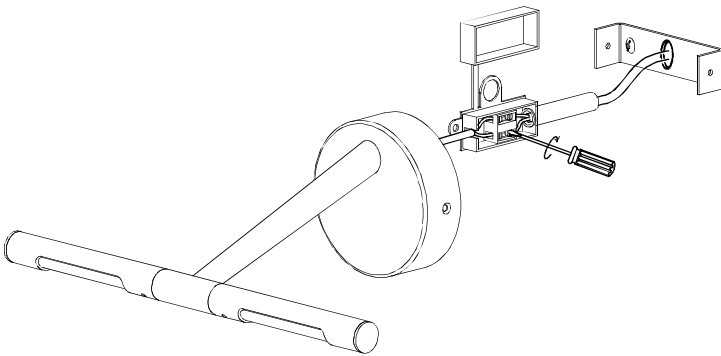
1



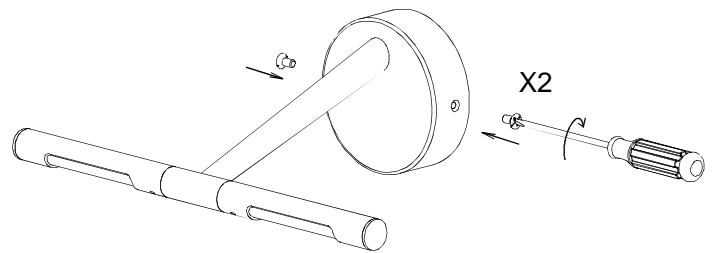
2



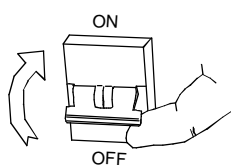
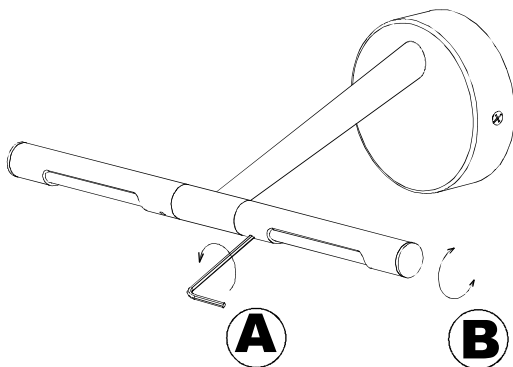
3



4



5



6

