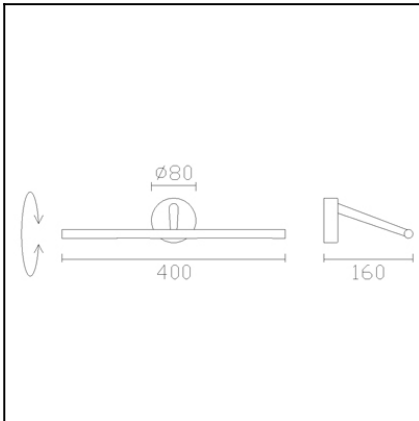


The photograph may not match the reference exactly. Please read the product description to identify the finish.



Download photometric file .ldt /.ies

TECHNICAL CHARACTERISTICS

Type:	Wall fixture
Adjustable 355° on the horizontal axis.	
IP Protection degrees:	IP20
Bulb:	18 x LED. Warm White - 3000K
Power (W):	3.6
Luminous efficacy (Lm/W):	110
Voltage / Frequency:	110-240V/50-60Hz
Warranty (Years):	2
Option to extend the guarantee:	Yes, 5 years
Units per box:	6
Net Weight (Kg):	0.32
EAN:	8435111098943,00



MATERIALS / FINISHES

Structure material:	Steel Extruded aluminium	Diffuser material:	Polycarbonate
Structure finish:	Satin nickel	Diffuser finish:	Bended and transparent

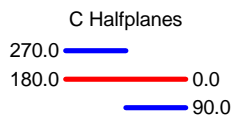
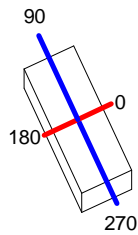
GEAR

Multi-voltage electronic gear included (110-240 V / 50-60 Hz)

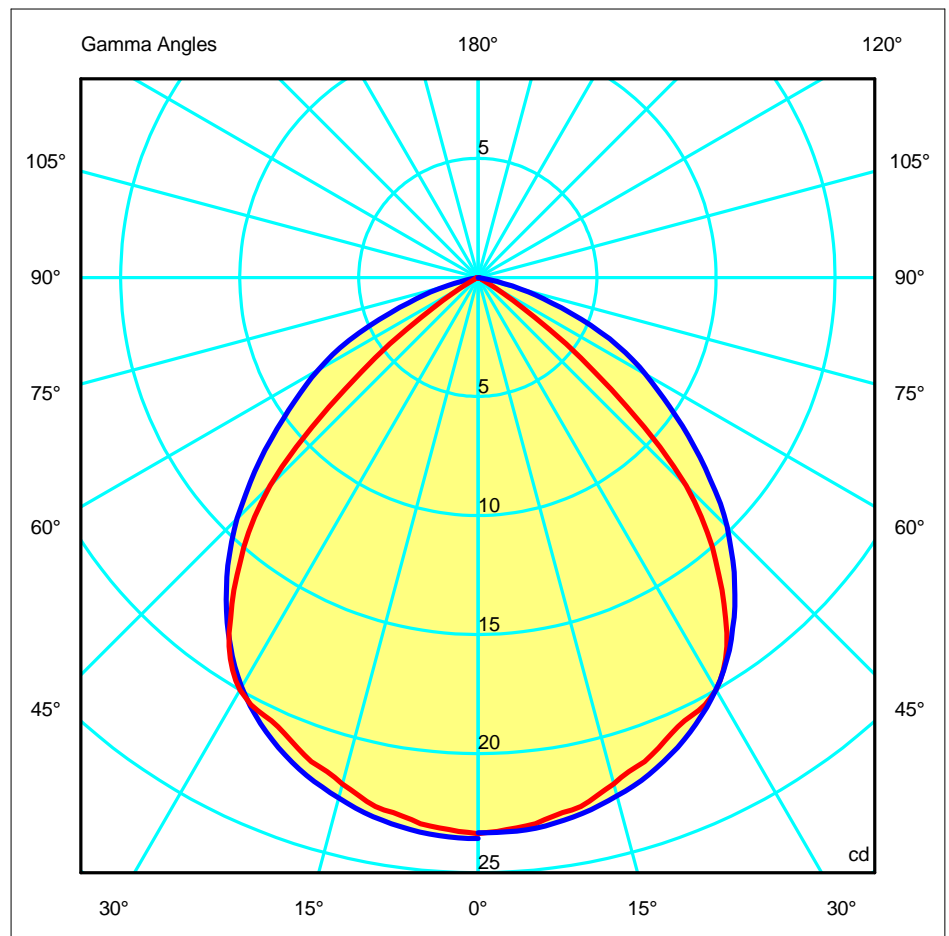
Luminaire		Measur.		Lamp		
Code	05-1611	Code	05-1611	Code	LEDS	
Name	SIENA LED	Name	SIENA LED	Number	6	
Line	IESNA-1995	Date	07-12-2012	Position		
Efficiency	46.35%	Coordinate system	CG	Total Flux	108.00 lm	
Maximum value	23.56 cd	Position	C=270.00 G=1.00	Sym. on planes	270-90	
Rectangular Luminaire	Length	400 mm	Width	160 mm	Height	80 mm
Rectangular Luminous Area	Length	400 mm	Width	160 mm	Height	80 mm
Horizontal Luminous Area	0.064000 m ²	Emitting area on Plane 180°		0.032000 m ²		
Emitting area on Plane 0°	0.032000 m ²	Emitting area on Plane 270°		0.012800 m ²		
Emitting area on Plane 90°	0.012800 m ²	Glare area at 76°		0.046532 m ²		
Symmetry Type	Sym. on planes 270-90	Maximum Gamma Angle		180		
Measurement Distance	0.00	Measurement Flux		270.00 lm		
Operator		Source voltage				
Temperature	25.00 °C	Source current				
Humidity	60.00 %	Photocell				
Notes						

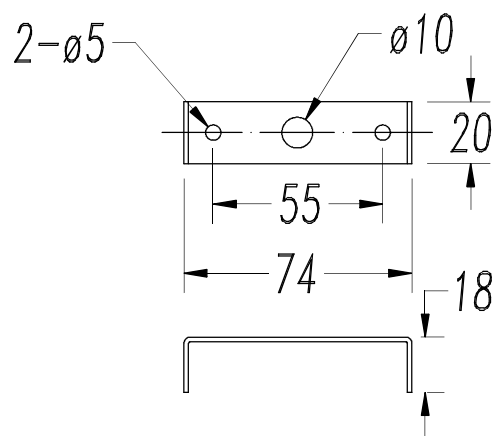
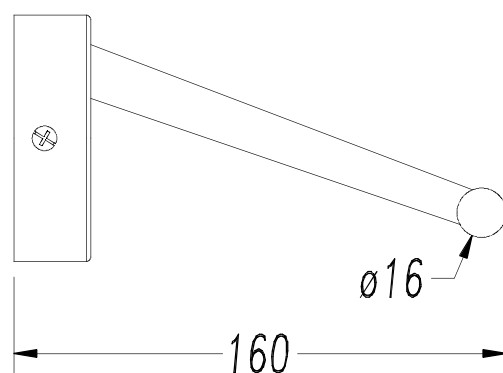
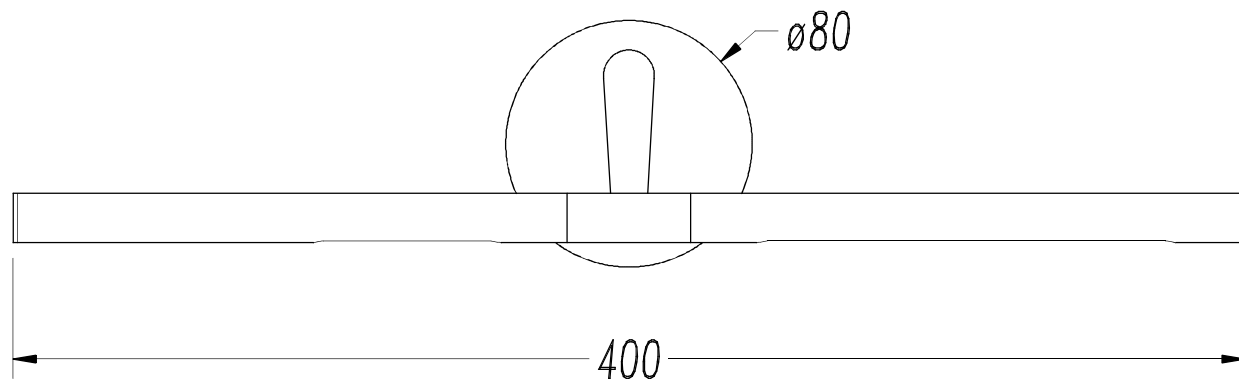
Luminaire Lamps						
Line	Code	Name	Flux [lm]	Pow. [W]	Q.ty	
IESNA-1995	LEDS	18LEDX0.2W - 3,6 W	18.00	3.00	6	
C.I.E.	62 94 100 100 46	D DIN 5040	A50			
F UTE	0.46 C	B NBN	BZ 3 / 1.25 / BZ 2			

400mm x 160mm

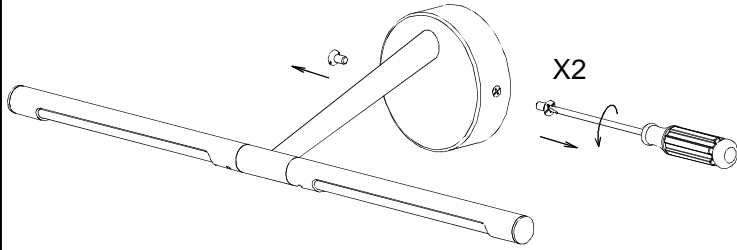


ULOR 0.00 %
DLOR 46.35 %
RN 0.00 %

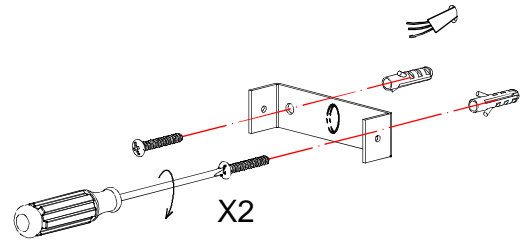
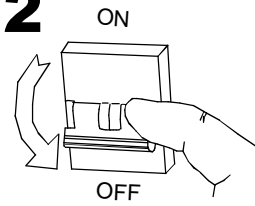




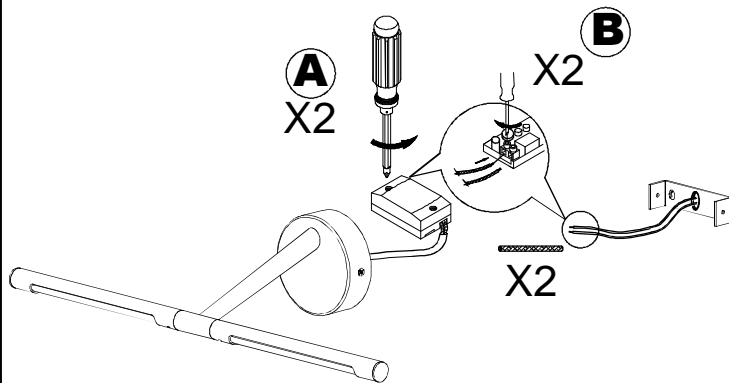
1



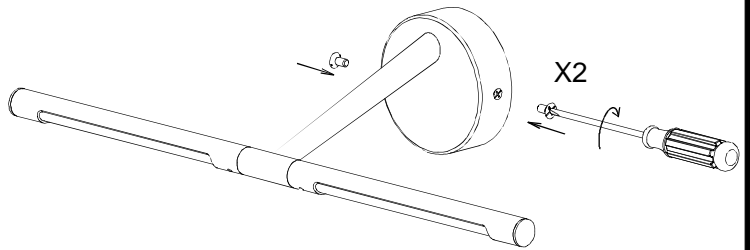
2



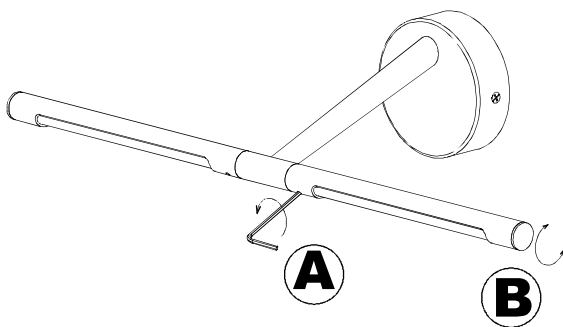
3



4



5



6

