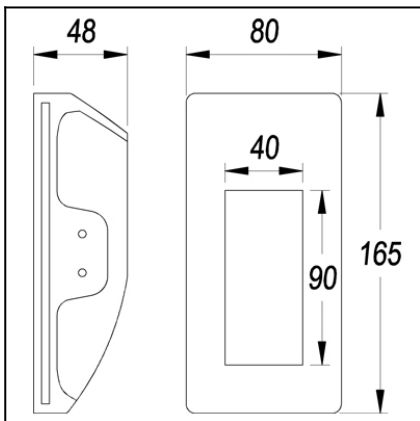




The photograph may not match the reference exactly. Please read the product description to identify the finish.

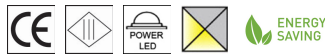


DESCRIPTION

LED light bulb suitable for flush mounted wall installation. Casing made of gypsum with steel fixation clips. LED in warm white colour temperature. Available in two different sizes according to the width of the light beam. Complete architecture integration with the use of thermoplastic paint.

TECHNICAL CHARACTERISTICS

Type:	Wall fixture
IP Protection degrees:	IP20
Bulb:	1 x LED Cree. Warm White - 2900K
Power (W):	1
Total power consumption (W):	2.4
Voltage / Frequency:	100-240V/50-60Hz
Warranty (Years):	2
Option to extend the guarantee:	Yes, 5 years
Units per box:	8
Net Weight (Kg):	0.52
EAN:	8,43538E+12



MATERIALS / FINISHES

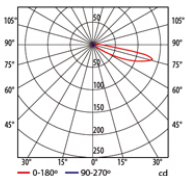
Structure material: Plaster

Structure finish: White

GEAR

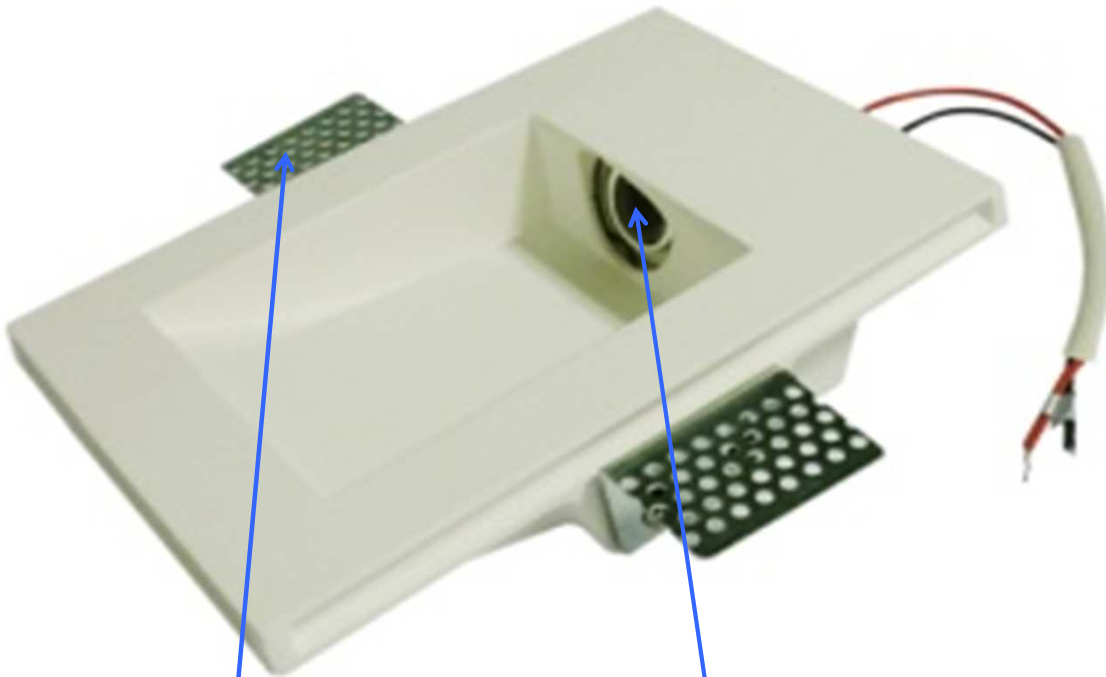
Necessary equipment not included. For more information check website / catalogs / sales organization.

LED Blanco cálido / Warm white - 350mA



Download photometric file .ldt / .ies

SPARE PARTS



1

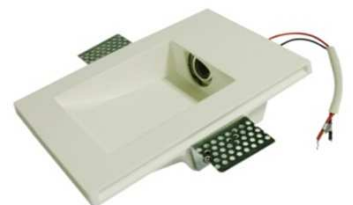
Adjustable recess system
Sistema de empotrado ajustable
R-0518041400-01



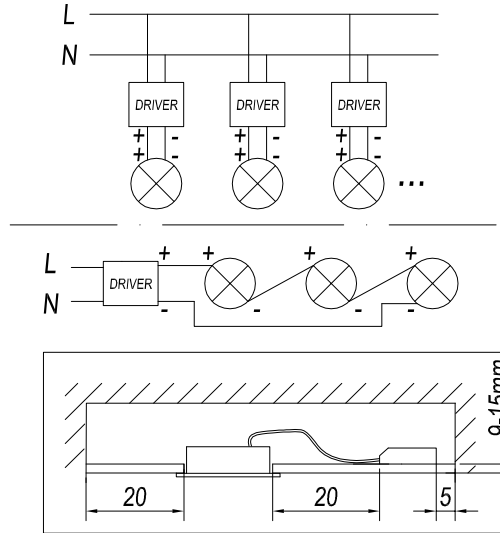
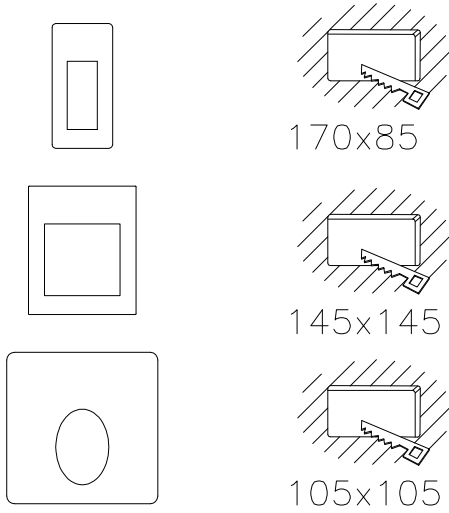
2

LED module CREE XBD +
fixation ring / Modul LED
CREE XBD + anella fixació
R-0518041400-02

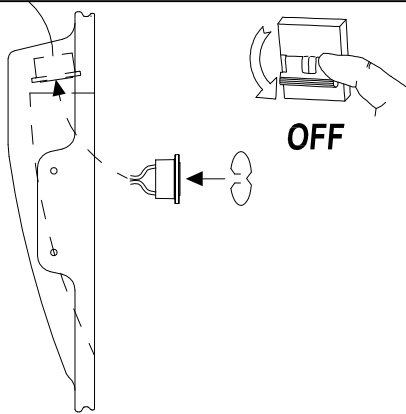
	NOM	DATA	PROVEIDOR	REFERENCIA
REVISAT:	F.CODINA	14/ago/2013		05-1804
APROVAT:	J. BALCELLS	14/ago/2013		SERIE SECRET



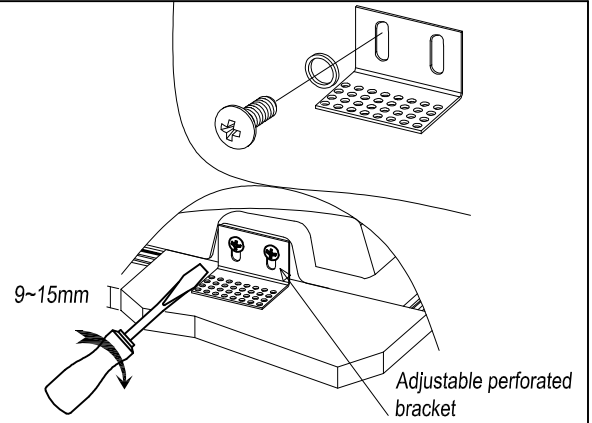
1



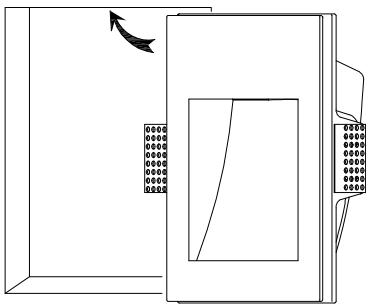
2



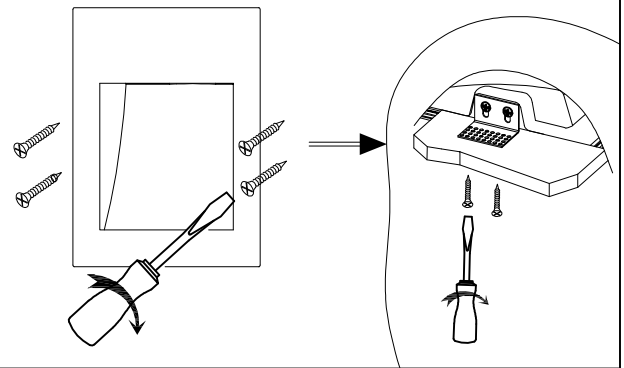
3



4



5



6

