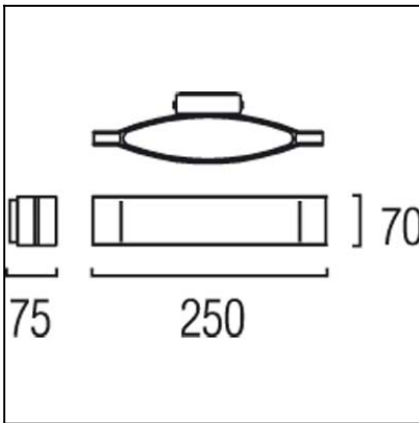


Design by Estudi Ribaudí



The photograph may not match the reference exactly. Please read the product description to identify the finish.



Download photometric file .ldt / .ies

TECHNICAL CHARACTERISTICS

| | |
|------------------------------|------------------|
| Type: | Wall fixture |
| IP Protection degrees: | IP20 |
| Lampholder: | 1 x R7s |
| Power (W): | R7s MAX 150W |
| Bulb included: | 1 x R7s 120W |
| Total power consumption (W): | 150 |
| Voltage / Frequency: | 220-240V/50-60Hz |
| Warranty (Years): | 2 |
| Units per box: | 6 |
| Net Weight (Kg): | 1.25 |
| EAN: | 8435111045343,00 |



MATERIALS / FINISHES

Structure material: Steel
Structure finish: Chrome

Diffuser material: Glass
Diffuser finish: Tinted

| Luminaria | | Ensayo | | Lámpara | |
|------------------|---------------------------------|-------------------|---------------------------------|----------------|--------------------|
| Código | 05-2397-21-E9 | Código | 05-2397-21-E9 | Código | 150T3 Q/CL/CP 230V |
| Nombre | Aplicador 150W R7s difusor opal | Nombre | Aplicador 150W R7s difusor opal | Número | 1 |
| Familia | - LEDS-C4 | Fecha | 16-03-2010 | Posición | |
| Eficiencia | 57.26% | Sist. de Coorden. | C-G | Flujo Total | 2400.00 lm |
| Valor Máximo | 391.70 cd | Posición | C=0.00 G=145.00 | Bisimétrico | |

60mm x 270mm

Semiplanos C

180.0 ——— 0.0
270.0 ——— 90.0

