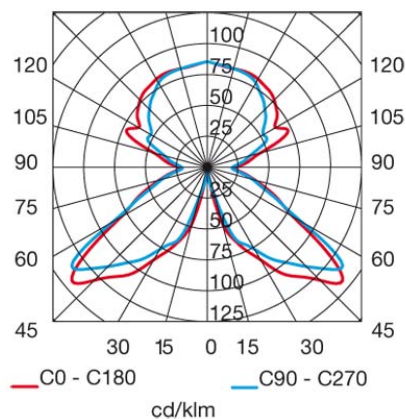
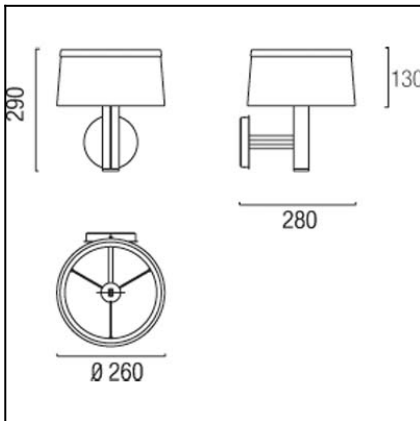


Design by Benedito Design



The photograph may not match the reference exactly. Please read the product description to identify the finish.



Download photometric file .ldt /.ies

### TECHNICAL CHARACTERISTICS

Type:	Wall fixture
IP Protection degrees:	IP20
Lampholder:	1 x G9
Power (W):	G9 MAX 75W
Bulb included:	1 x G9 60W
Total power consumption (W):	75
Voltage / Frequency:	220-240V/50-60Hz
Units per box:	1
Net Weight (Kg):	1.75
EAN:	8435111046005



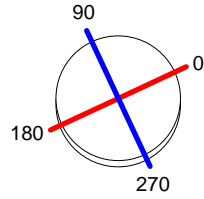
### MATERIALS / FINISHES

<b>Structure material:</b> Steel	<b>Diffuser material:</b> Fabric shade
Satin aluminium	
<b>Structure finish:</b> Chrome	<b>Diffuser finish:</b> White

<b>Luminaria</b>		<b>Ensayo</b>		<b>Lámpara</b>	
Código	05-2407-AG-14	Código	05-2407-AG-14	Código	66675AM
Nombre	Aplique SUITE 60W E27 tela	Nombre	Aplique LEILA 75W G9 halogen	Número	1
Familia	- LEDS-C4	Fecha	23-09-2010	Posición	Universal
Eficiencia	73.60%	Sist. de Coorden.	C-G	Flujo Total	1050.00 lm
Valor Máximo	143.05 cd	Posición	C=0.00 G=50.00	Bisimétrico	

Diam=230mm

Semiplanos C



180.0 ——— 0.0  
270.0 ——— 90.0

