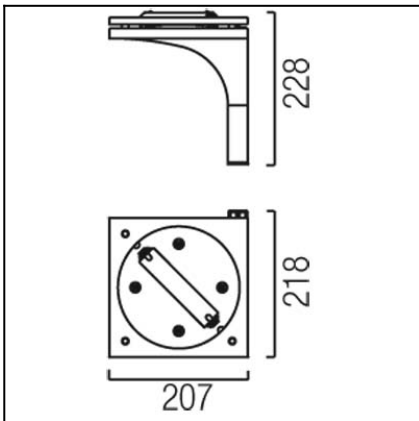
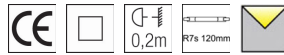


Design by Estudi Ribaudí


The photograph may not match the reference exactly. Please read the product description to identify the finish.


TECHNICAL CHARACTERISTICS

Type:	Wall fixture
IP Protection degrees:	IP20
Lampholder:	1 x R7s
Power (W):	R7s MAX 150W
Bulb included:	1 x R7s 120W
Total power consumption (W):	150
Voltage / Frequency:	220-240V/50-60Hz
Warranty (Years):	2
Units per box:	1
Net Weight (Kg):	1.32
EAN:	8435111063477,00


MATERIALS / FINISHES

Structure material: Aluminium
Structure finish: Ecobright

Diffuser material: Methacrylate
Diffuser finish: Tinted

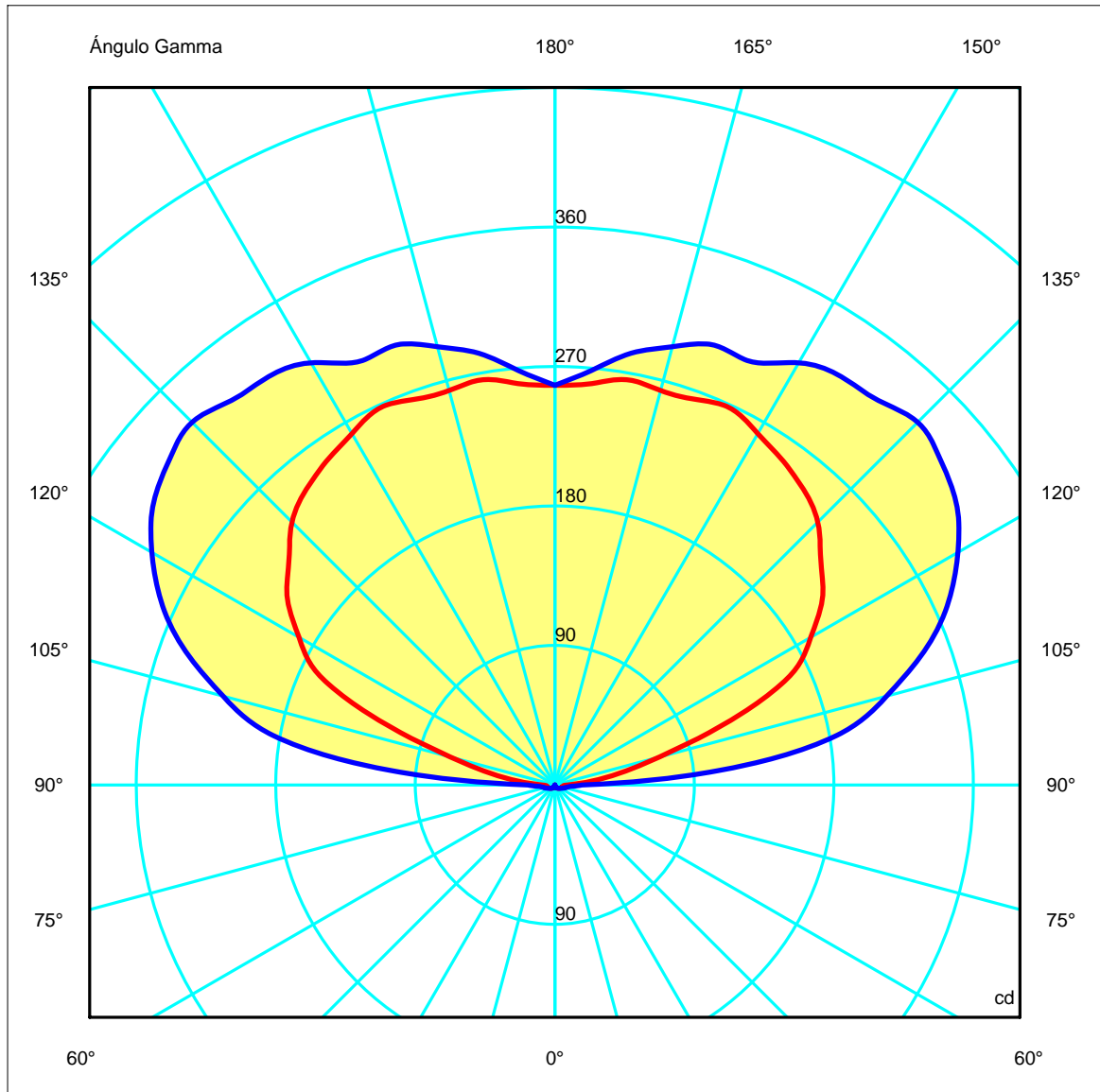
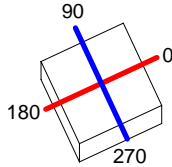
[Download photometric file .ldt / .ies](#)

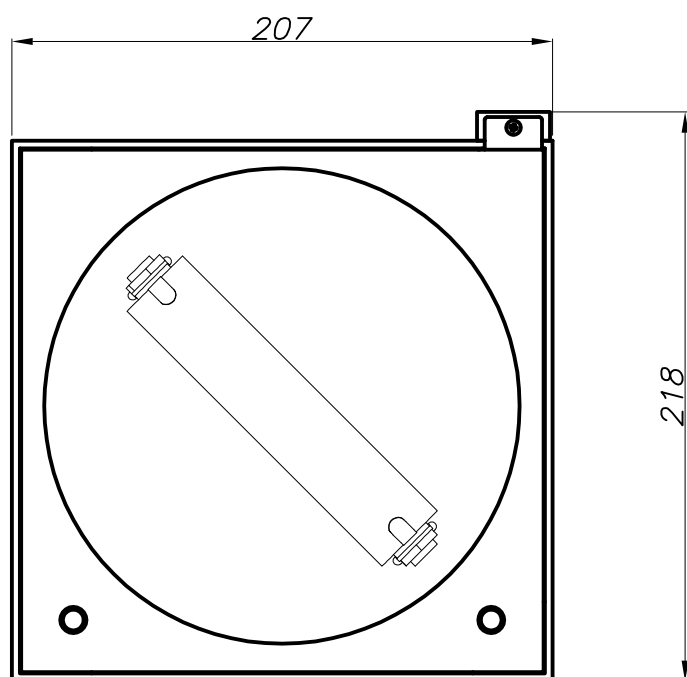
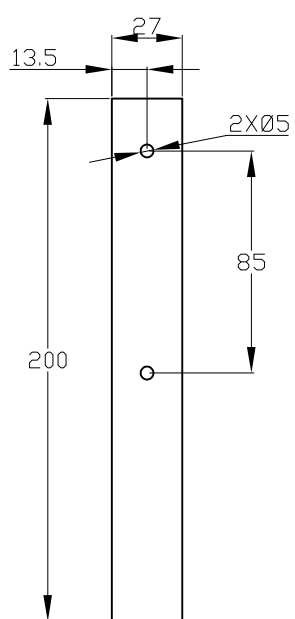
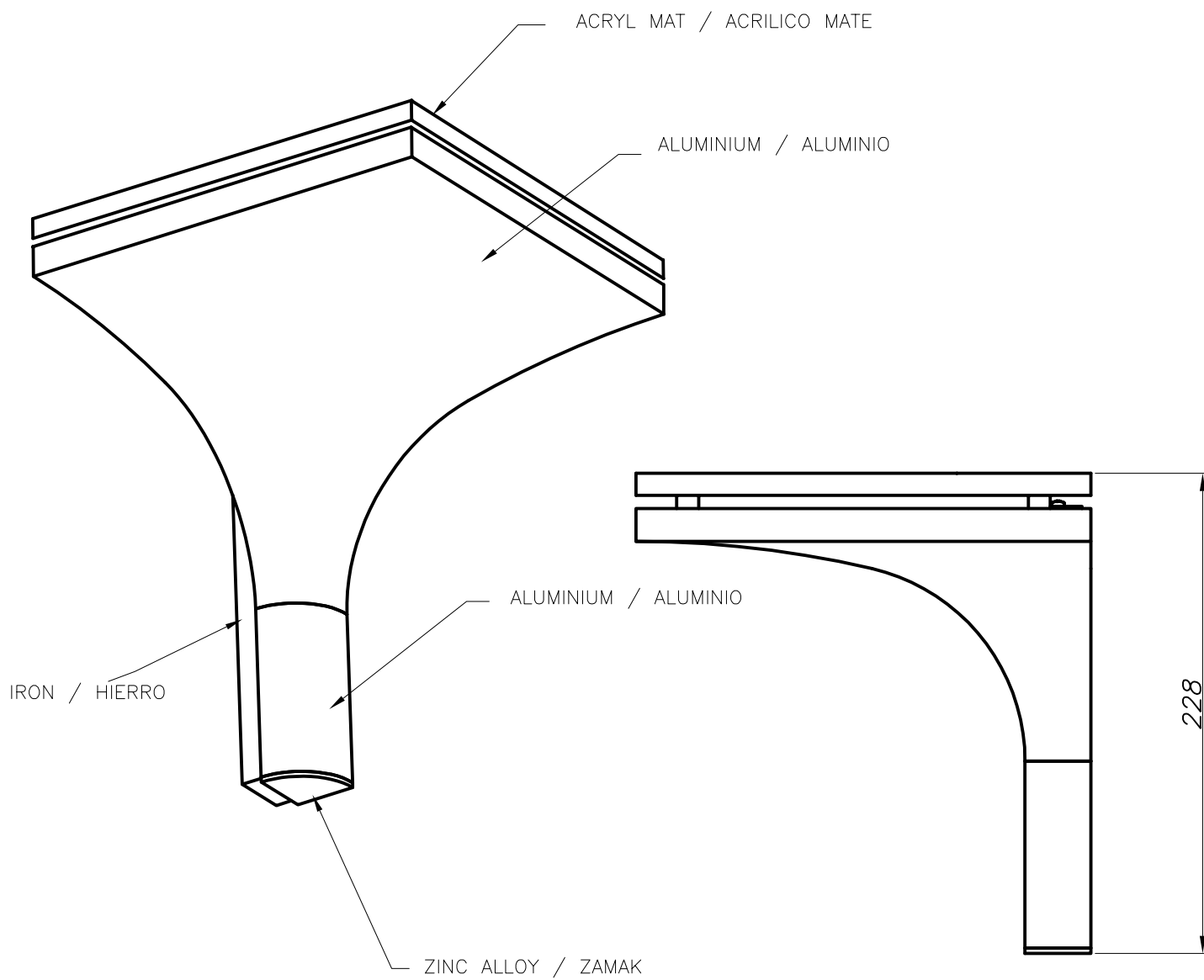
Luminaria		Ensayo		Lámpara	
Código	05-2580-05-05	Código	05-2580-05-05	Código	64696
Nombre	Aplique ind. ARC 1x150W R7s	Nombre	Aplique ARC indir. 1x150W R7s	Número	1
Familia	- LEDS-C4	Fecha	07-04-2010	Posición	Universal
Eficiencia	67.62%	Sist. de Coorden.	C-G	Flujo Total	2200.00 lm
Valor Máximo	339.40 cd	Posición	C=60.00 G=135.00		Asimétrico

210mm x 210mm

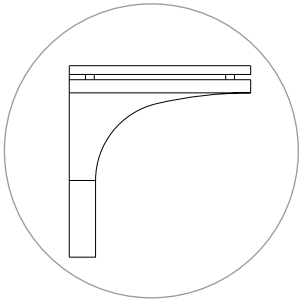
Semiplanos C

180.0 ——— 0.0
 270.0 ——— 90.0

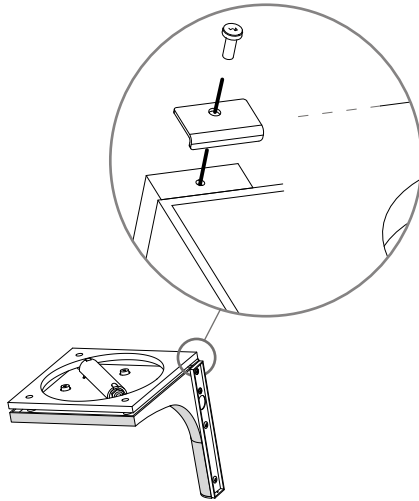




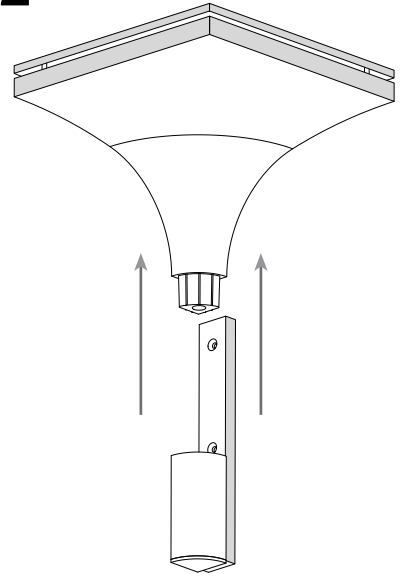
a



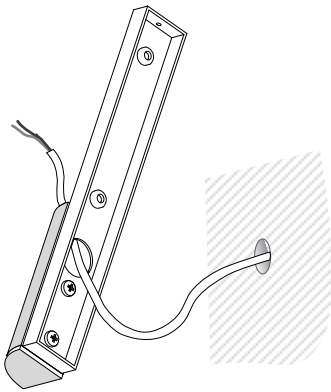
a1



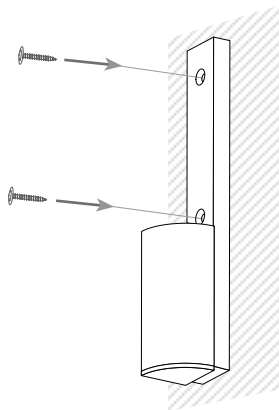
a2



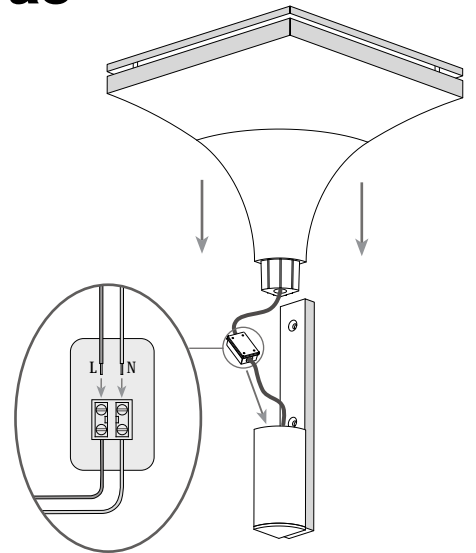
a3



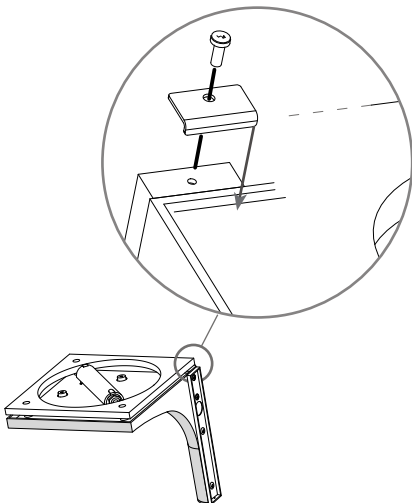
a4



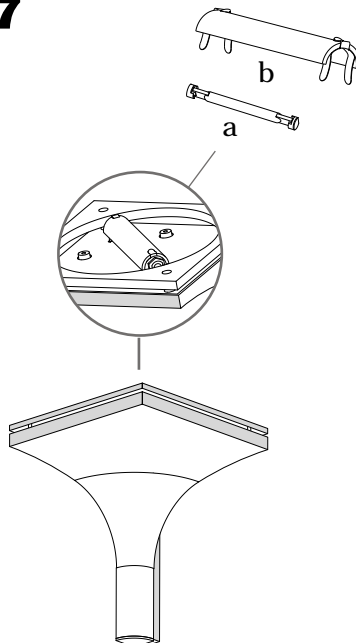
a5



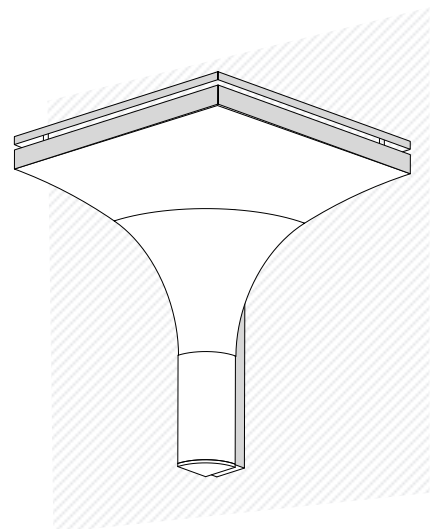
a6



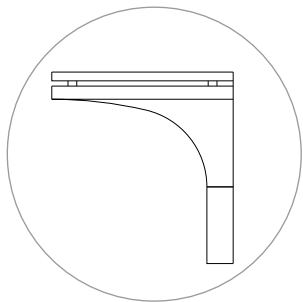
a7



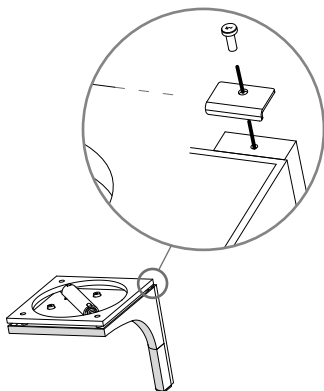
a8



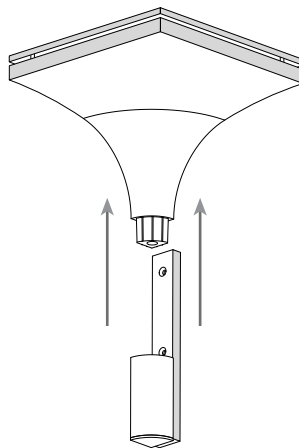
b



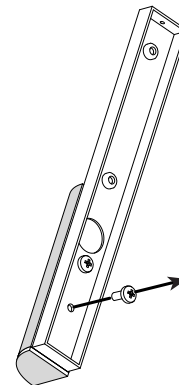
b1



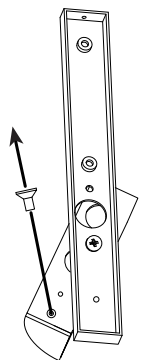
b2



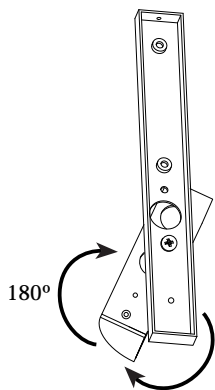
b3



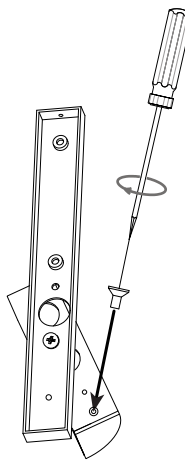
b4



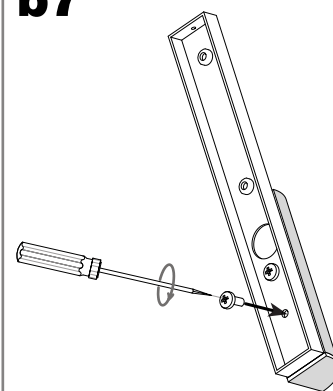
b5



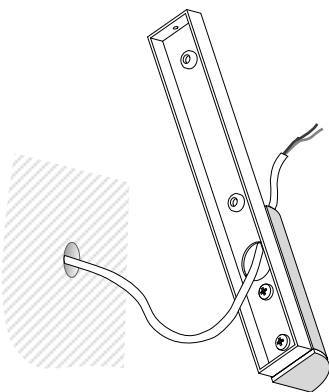
b6



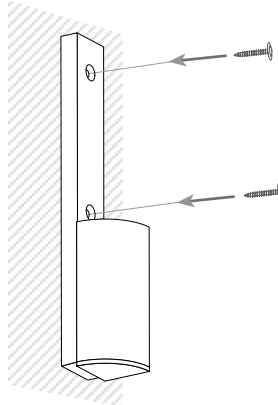
b7



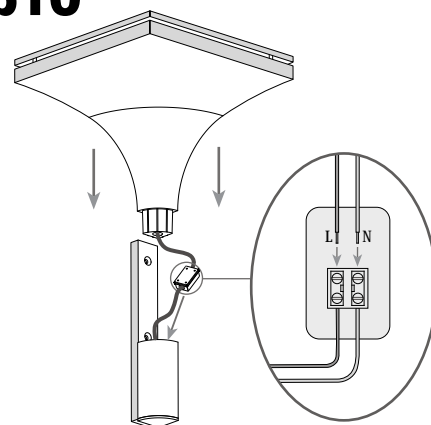
b8



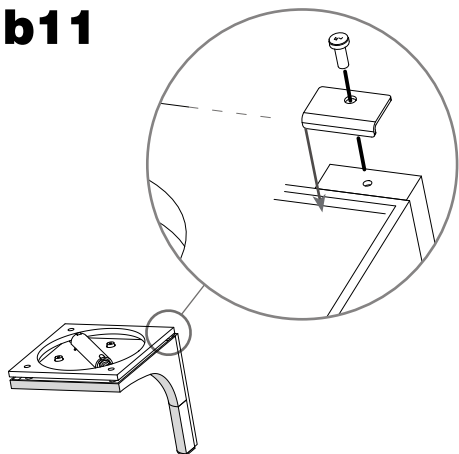
b9



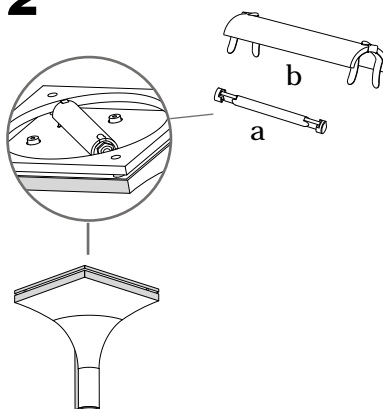
b10



b11



b12



b13

