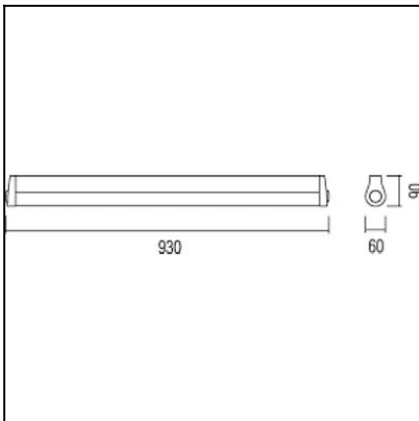


Design by Josep Patsí



The photograph may not match the reference exactly. Please read the product description to identify the finish.



Download photometric file .ldt / .ies

### TECHNICAL CHARACTERISTICS

Type:	Wall fixture
IP Protection degrees:	IP44
Lampholder:	1 x G5. Warm White - 2700K
Power (W):	G5 39W
Bulb included:	1 x G5 39W. Warm white (<3700 K)
Voltage / Frequency:	220-240V/50-60Hz
Units per box:	4
Net Weight (Kg):	2.4
EAN:	8435111052860



### MATERIALS / FINISHES

<b>Structure material:</b> Aluminium	<b>Diffuser material:</b> Glass Polycarbonate
<b>Structure finish:</b> Ecobright	<b>Diffuser finish:</b> Transparent Opal

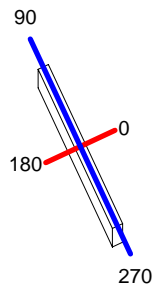
### GEAR

Gear included: Yes, electronic

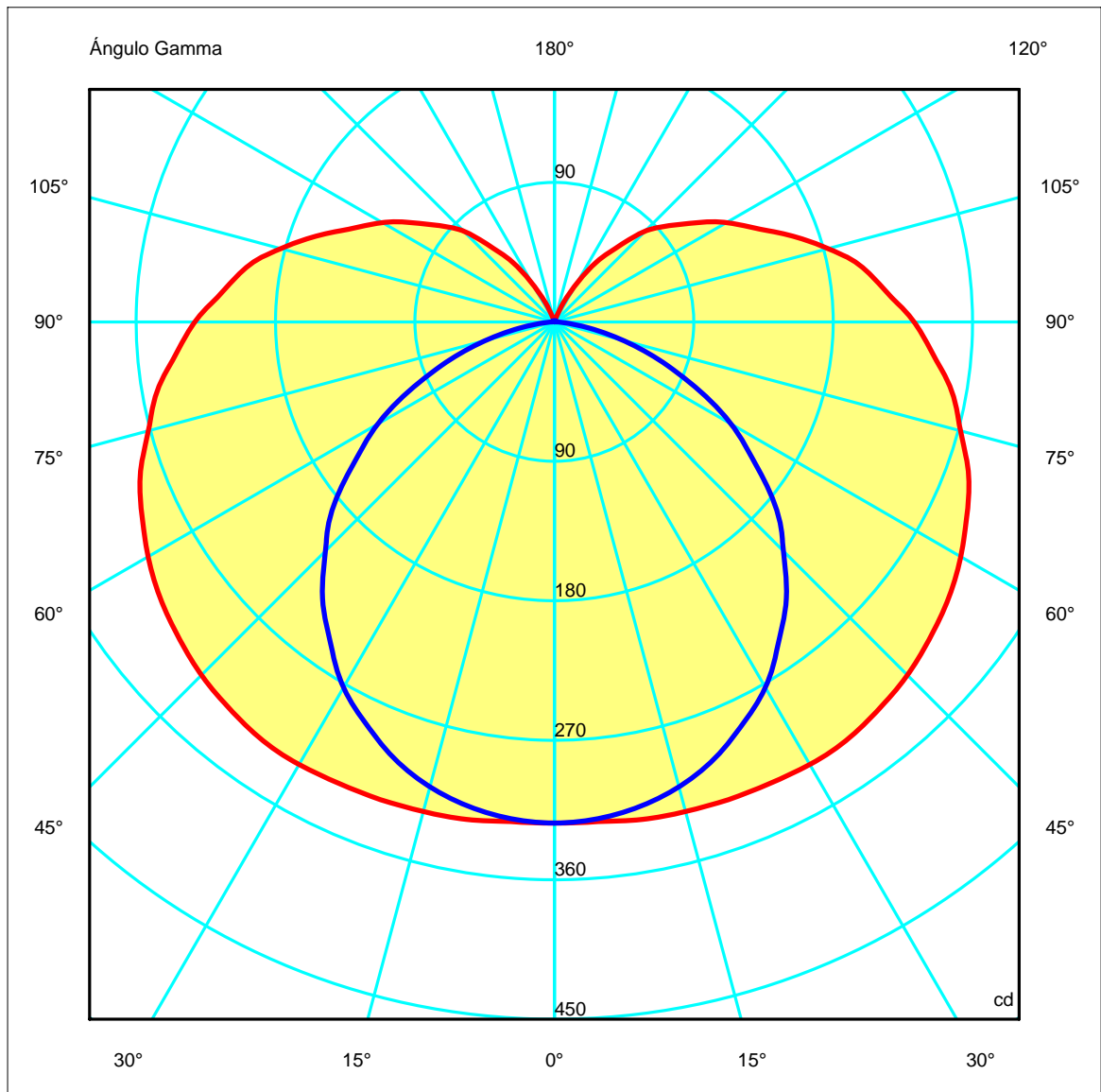
<b>Luminaria</b>		<b>Ensayo</b>		<b>Lámpara</b>	
Código	05-2695-AH-37	Código	00-2694-AH-37	Código	TL5 HO sup80 39W/840
Nombre	Aplique CLASS 1x39W T5 opal	NombreColgante	CLASS 1x54W T5 opal	Número	1
Familia	- LEDS-C4	Fecha	06-04-2010	Posición	Universal
Eficiencia	58.99%	Sist. de Coorden.	C-G	Flujo Total	3100.00 lm
Valor Máximo	329.74 cd	Posición	C=0.00 G=30.00	Bisimétrico	

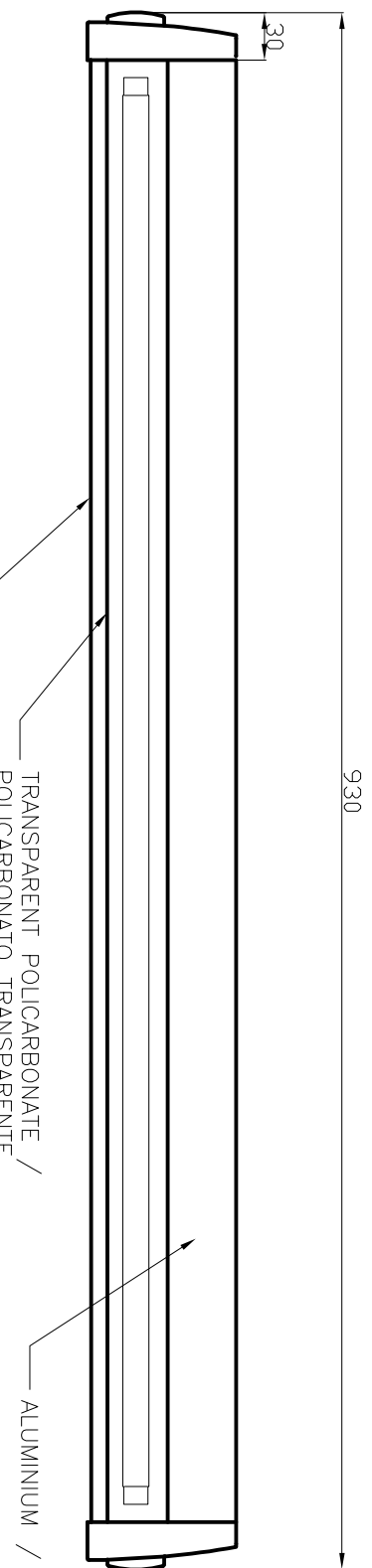
930mm x 60mm

Semiplanos C



180.0 ——— 0.0  
270.0 ——— 90.0





930

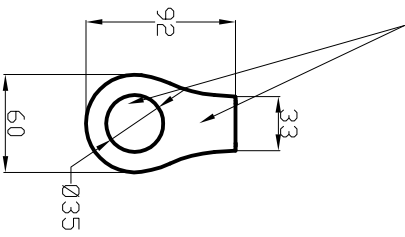
30

ALUMINIUM / ALUMINIO

TRANSPARENT POLICARBONATE /  
POLICARBONATO TRANSPARENT

TRANSPARENT BOROSILICATE GLASS /  
BOROSILICATO TRANSPARENT

ALUMINIUM / ALUMINIO

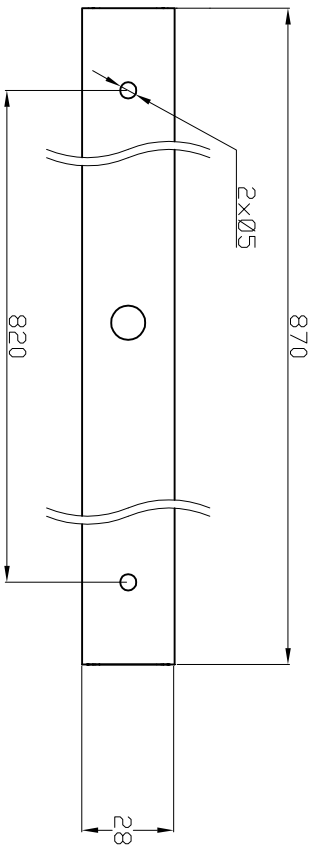


92

33

Ø35

60



870

2xØ5

820

28

