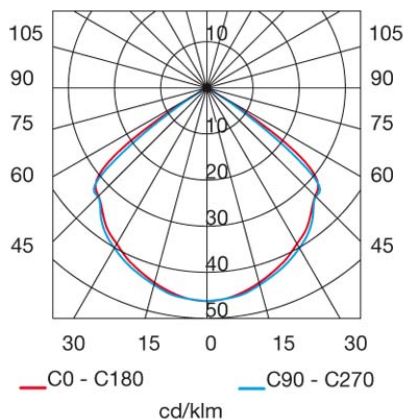
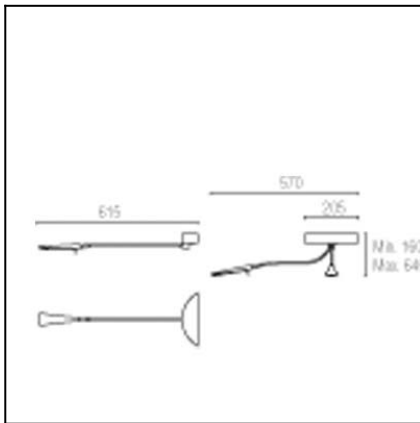


Design by Josep Patsí



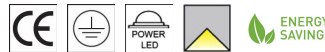
The photograph may not match the reference exactly. Please read the product description to identify the finish.



Download photometric file .ldt / .ies

TECHNICAL CHARACTERISTICS

| | |
|-------------------------------------------------|------------------------------------|
| Type: | Wall fixture |
| Adjustable $\pm 180^\circ$ on the vertical axis | |
| IP Protection degrees: | IP20 |
| Bulb: | 1 x LED Cree. Warm white (<3700 K) |
| Power (W): | 4.5W |
| Luminous efficacy (Lm/W): | 70 |
| LED lifetime (h): | 50000 |
| Voltage / Frequency: | 100-240V/50-60Hz |
| Warranty (Years): | 2 |
| Option to extend the guarantee: | Yes, 5 years |
| Units per box: | 6 |
| Net Weight (Kg): | 1.13 |
| EAN: | 8435111059043,00 |



MATERIALS / FINISHES

Structure material: Aluminium
Steel

Diffuser material: Polycarbonate

Structure finish: Chrome

Diffuser finish: Transparent

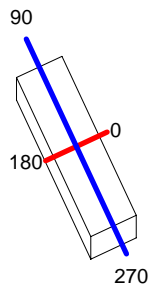
GEAR

Multi-voltage electronic gear included (110-240 V / 50-60 Hz)

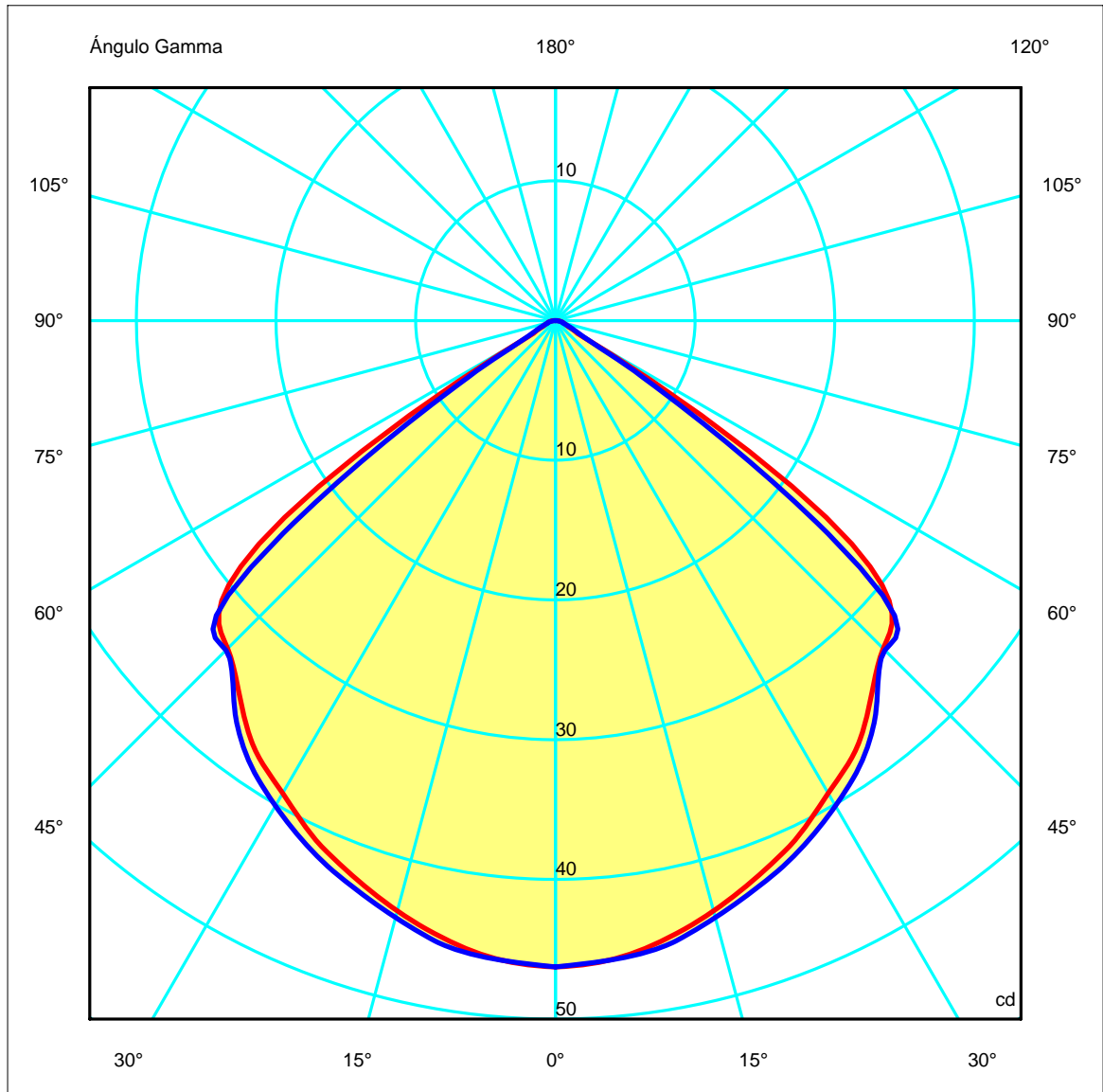
| | | | | | |
|------------------|-----------------------|-------------------|-----------------------|----------------|--------------------|
| Luminaria | | Ensayo | | Lámpara | |
| Código | 05-2708-21-21 | Código | 05-2708-21-21 | Código | LAMP 05-2708-21-21 |
| Nombre | Aplique OPEN 4.5W led | Nombre | Aplique OPEN 4.5W led | Número | 1 |
| Familia | - LEDS C4 LEDS | Fecha | 08-04-2010 | Posición | Universal |
| Eficiencia | 100.00% | Sist. de Coorden. | C-G | Flujo Total | 101.19 lm |
| Valor Máximo | 46.26 cd | Posición | C=0.00 G=0.00 | Bisimétrico | |

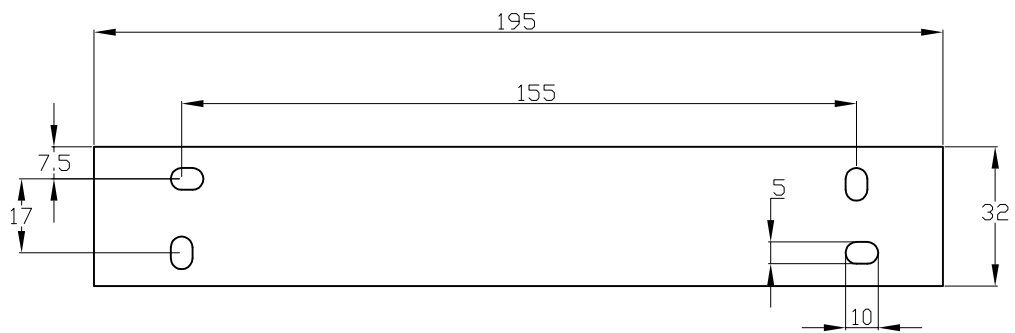
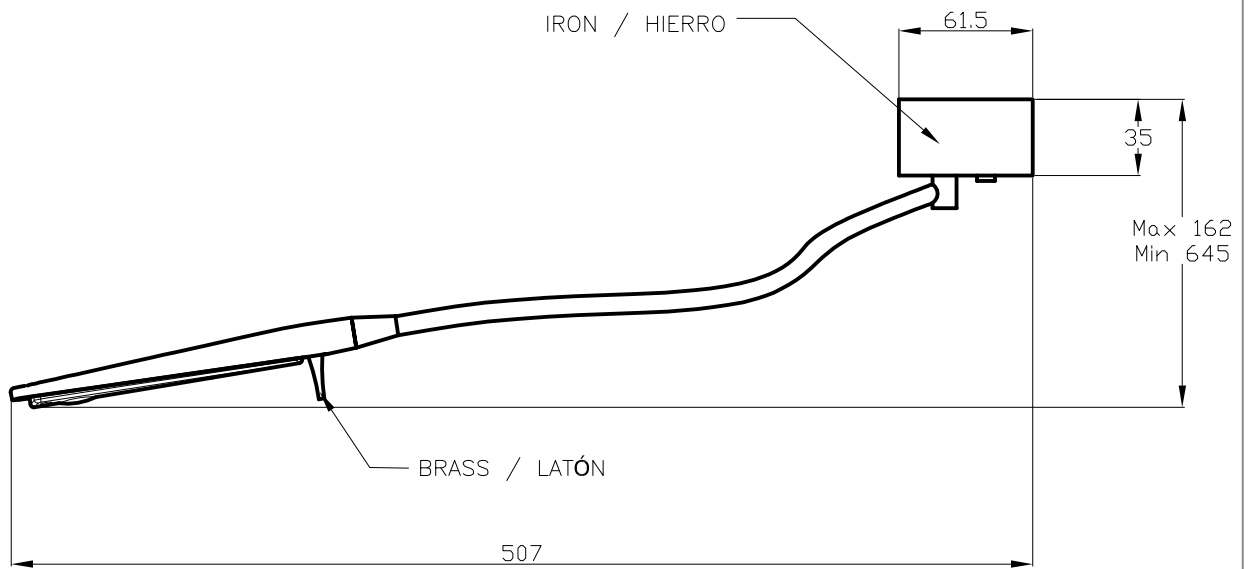
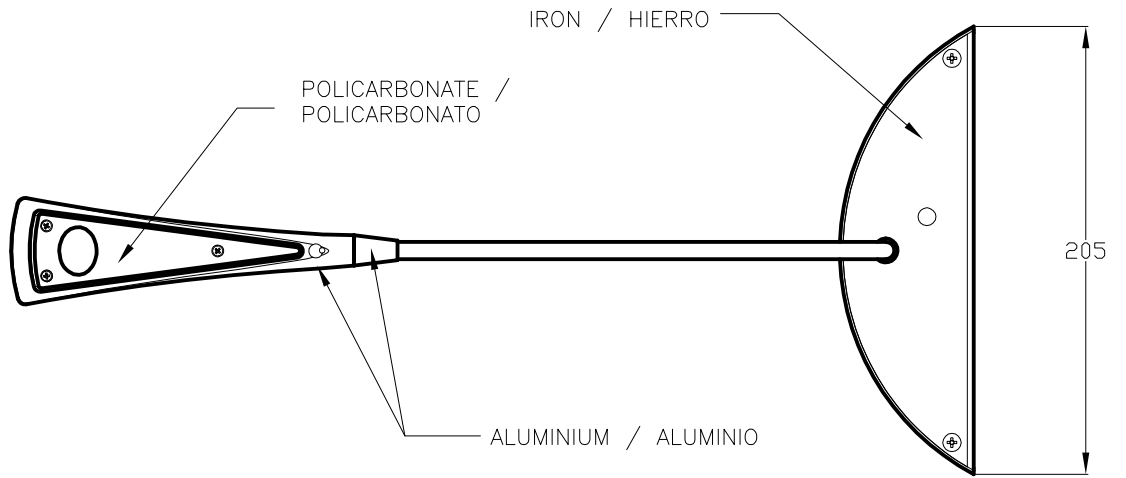
175mm x 50mm

Semiplanos C

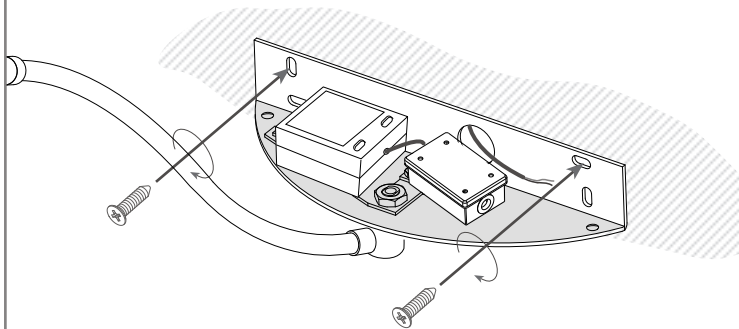


180.0 ——— 0.0
270.0 ——— 90.0

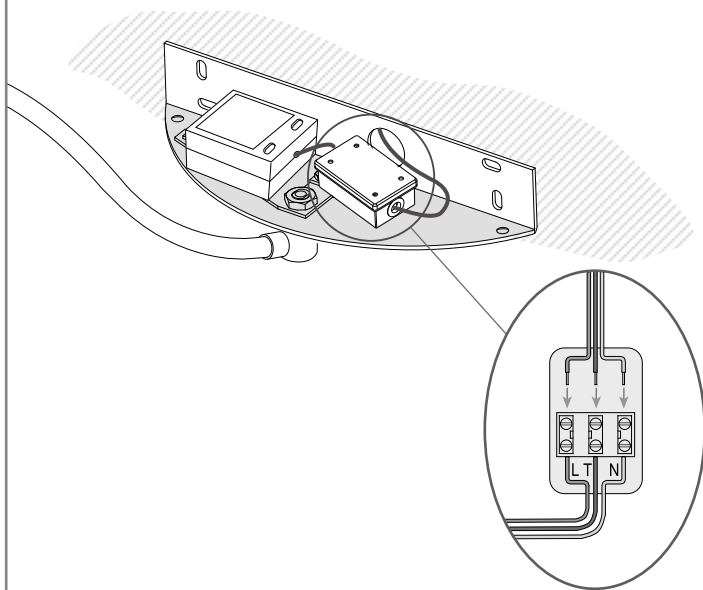




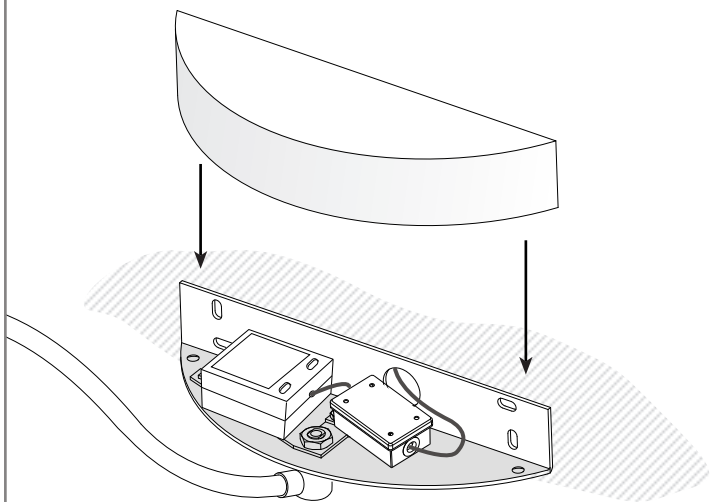
1



2



3



4

