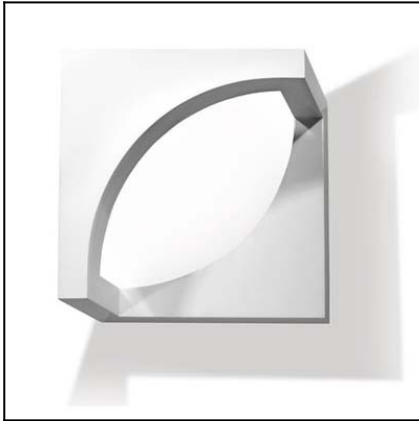
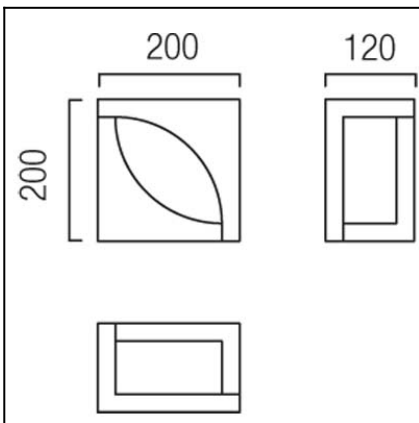


Design by Josep Patsí



The photograph may not match the reference exactly. Please read the product description to identify the finish.



Download photometric file .ldt / .ies

### TECHNICAL CHARACTERISTICS

|                              |                  |
|------------------------------|------------------|
| Type:                        | Wall fixture     |
| IP Protection degrees:       | IP20             |
| Lampholder:                  | 2 x G9           |
| Power (W):                   | G9 MAX 60W       |
| Bulb included:               | 2 x G9 60W       |
| Total power consumption (W): | 120              |
| Voltage / Frequency:         | 220-240V/50-60Hz |
| Warranty (Years):            | 2                |
| Units per box:               | 6                |
| Net Weight (Kg):             | 1.135            |
| EAN:                         | 8435111063736,00 |



### MATERIALS / FINISHES

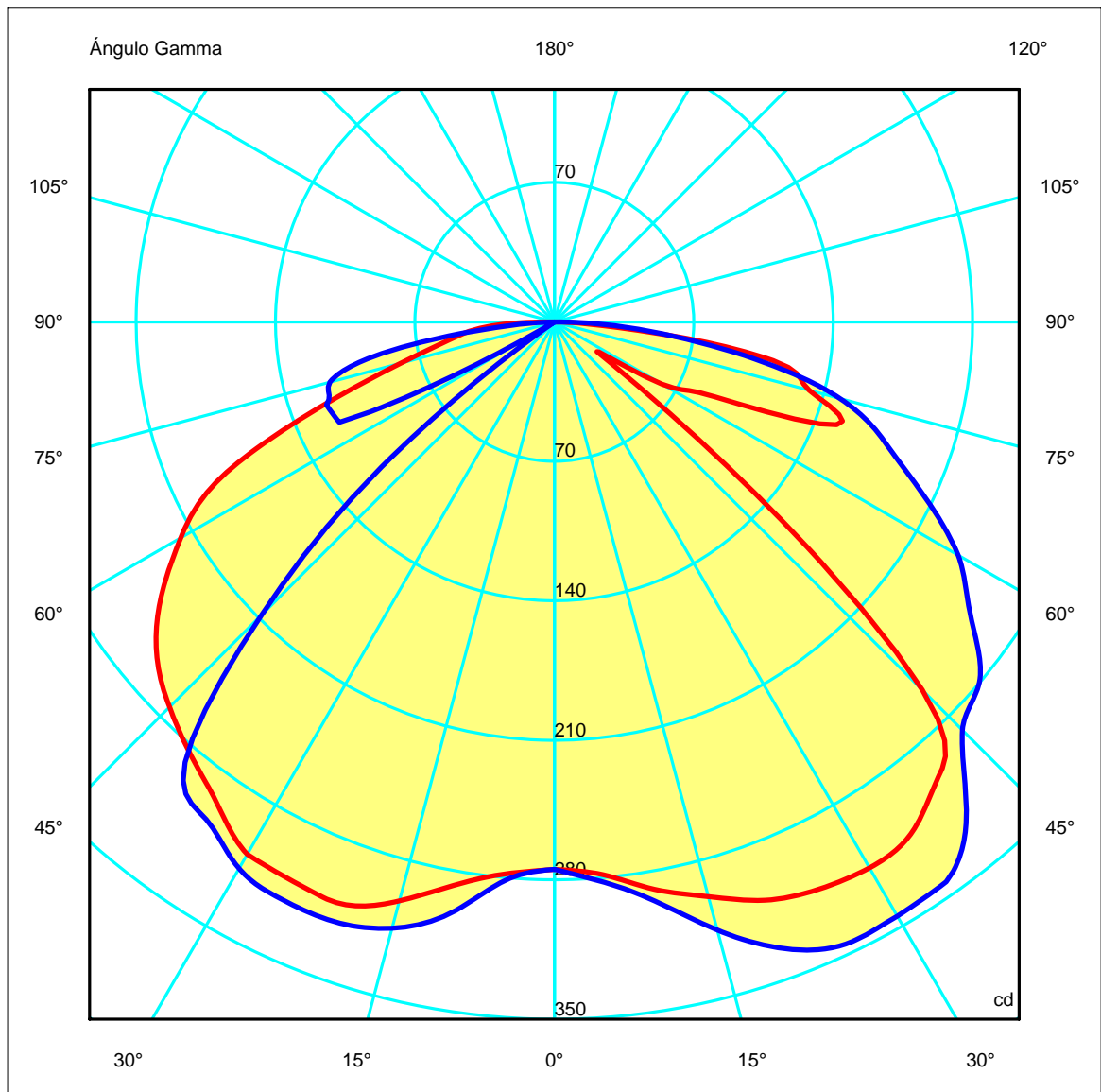
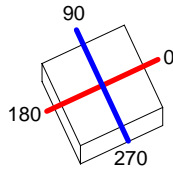
**Structure material:** Steel  
**Structure finish:** White lacquered

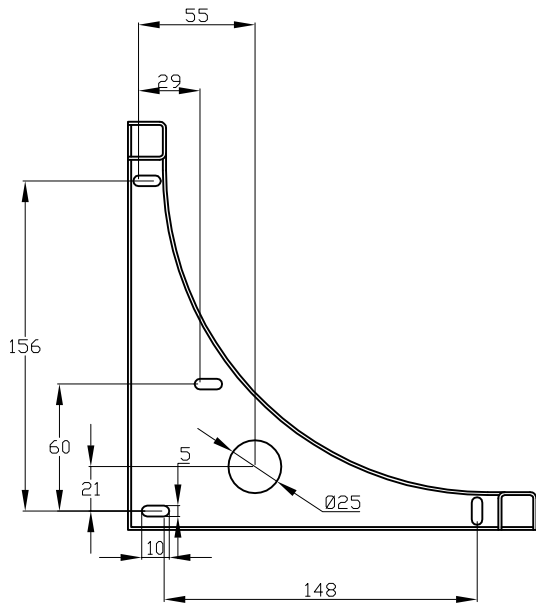
|                  |                           |                   |                  |                |            |
|------------------|---------------------------|-------------------|------------------|----------------|------------|
| <b>Luminaria</b> |                           | <b>Ensayo</b>     |                  | <b>Lámpara</b> |            |
| Código           | 05-2782-05-05             | Código            | 05-2782-05-05    | Código         | 66675AM    |
| Nombre           | Sobremesa ESCHER 2x75W G9 | NombreAplic       | ESCHER 2x75W G9  | Número         | 2          |
| Familia          | - LEDS-C4                 | Fecha             | 09-04-2010       | Posición       | Universal  |
| Eficiencia       | 54.20%                    | Sist. de Coorden. | C-G              | Flujo Total    | 2100.00 lm |
| Valor Máximo     | 361.54 cd                 | Posición          | C=315.00 G=30.00 |                | Asimétrico |

200mm x 200mm

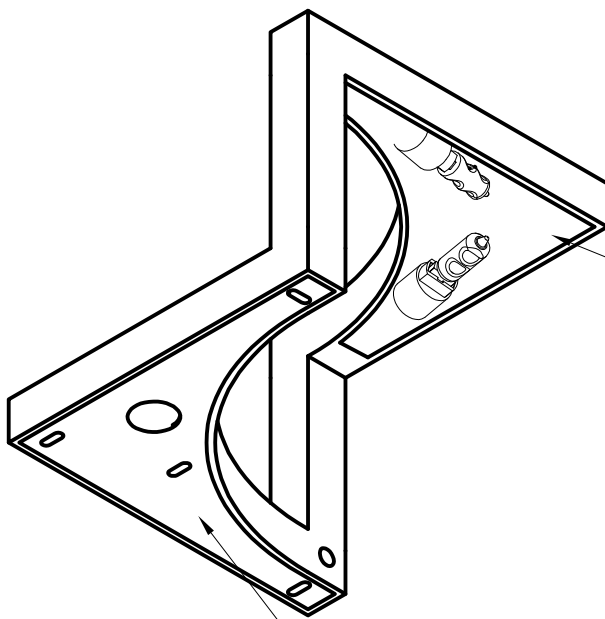
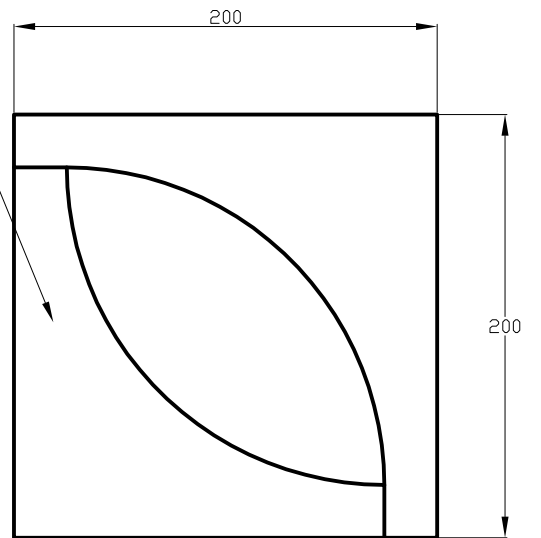
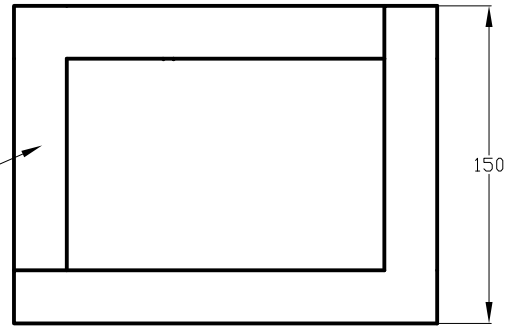
Semiplanos C

180.0 ——— 0.0  
270.0 ——— 90.0



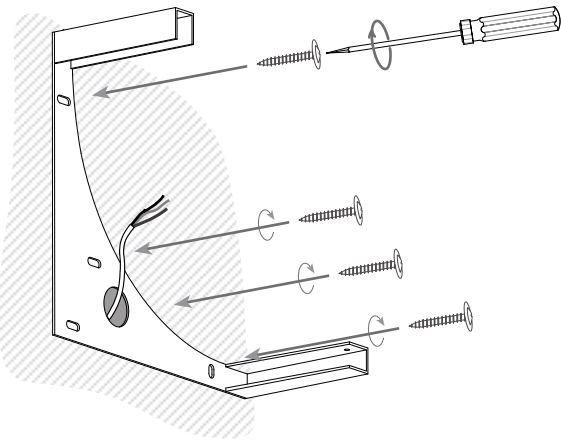


IRON / HIERRO

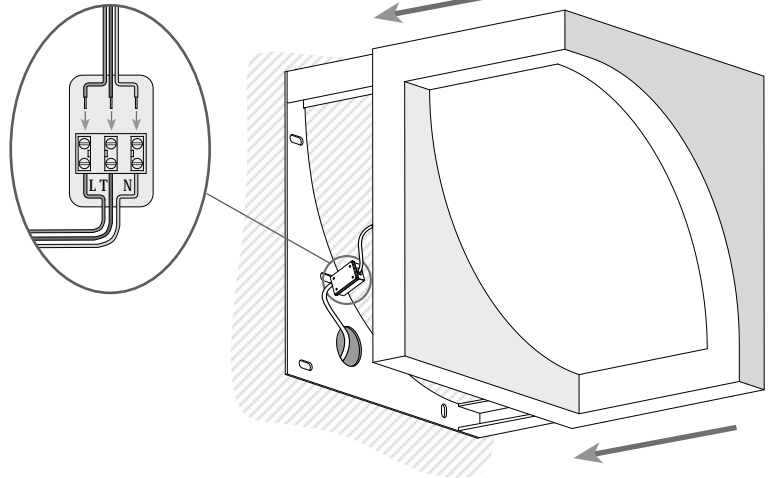


ALUMINIUM REFLECTOR /  
REFLECTOR ALUMINIO

1



2



3

