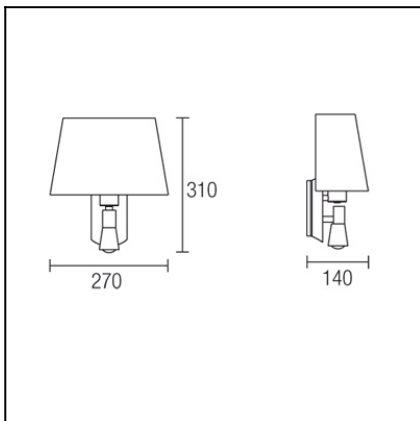




The photograph may not match the reference exactly. Please read the product description to identify the finish.



**TECHNICAL CHARACTERISTICS**

Type:	Wall fixture
IP Protection degrees:	IP20
Bulb:	1 x LED Cree. Warm White - 3000K 1 x E27
Power (W):	3 E27 MAX 60
Voltage / Frequency:	220-240V/50-60Hz
Units per box:	6
Net Weight (Kg):	0.98
EAN:	8435111066010



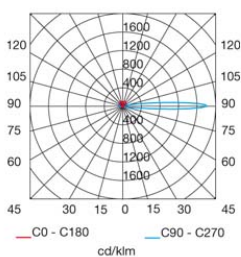
**MATERIALS / FINISHES**

<b>Structure material:</b> Steel	<b>Diffuser material:</b> Fabric shade
<b>Structure finish:</b> Satin nickel	<b>Diffuser finish:</b> Black

**GEAR**

Multi-voltage electronic gear included (110-240 V / 50-60 Hz)

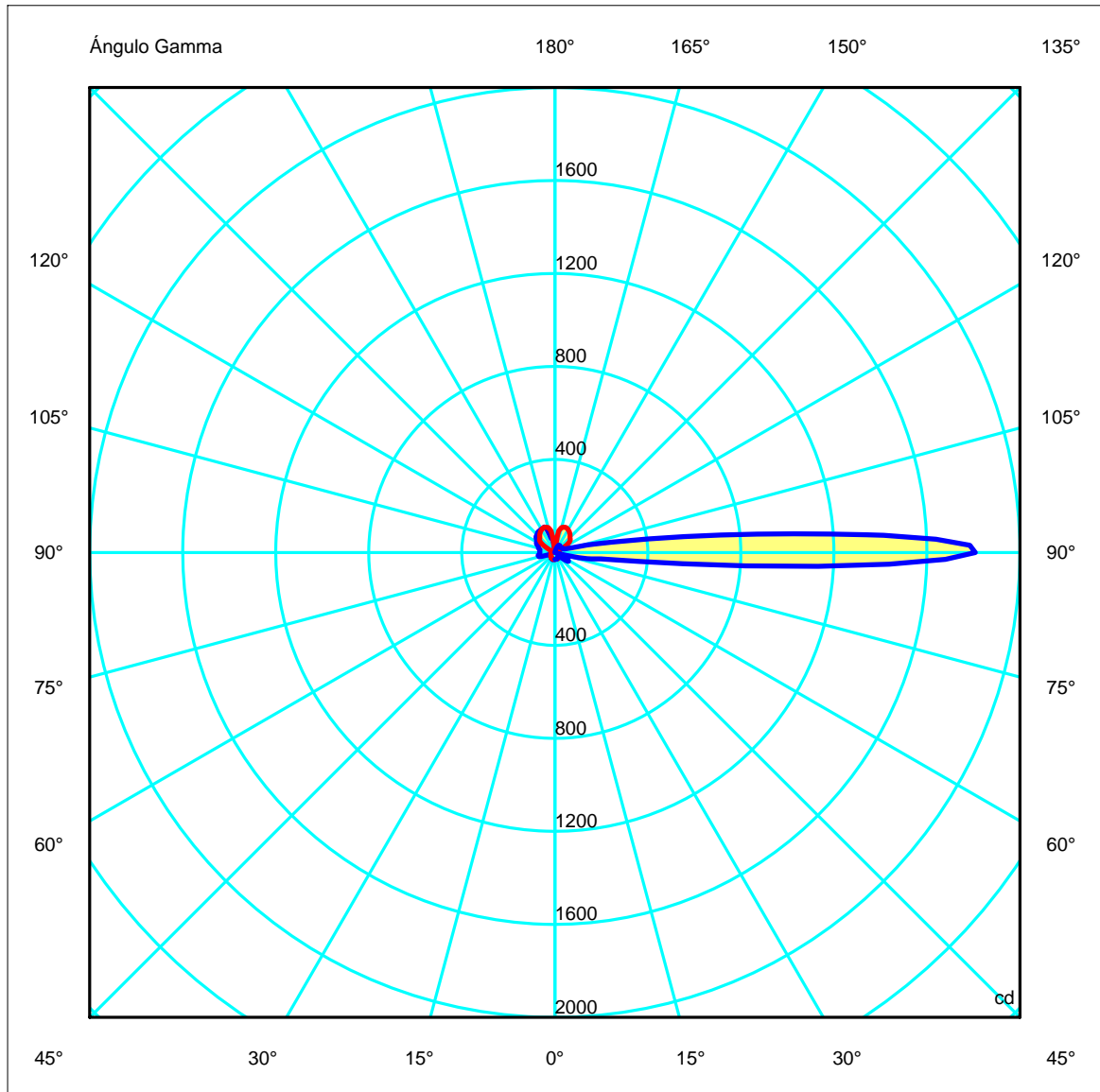
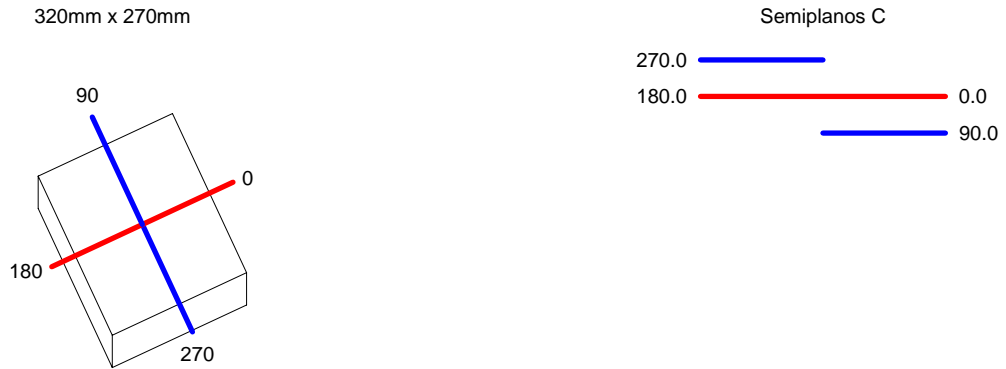
E-27 60W + led 3W

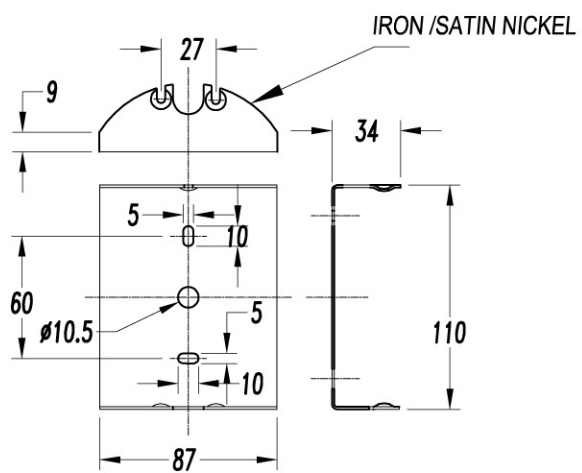
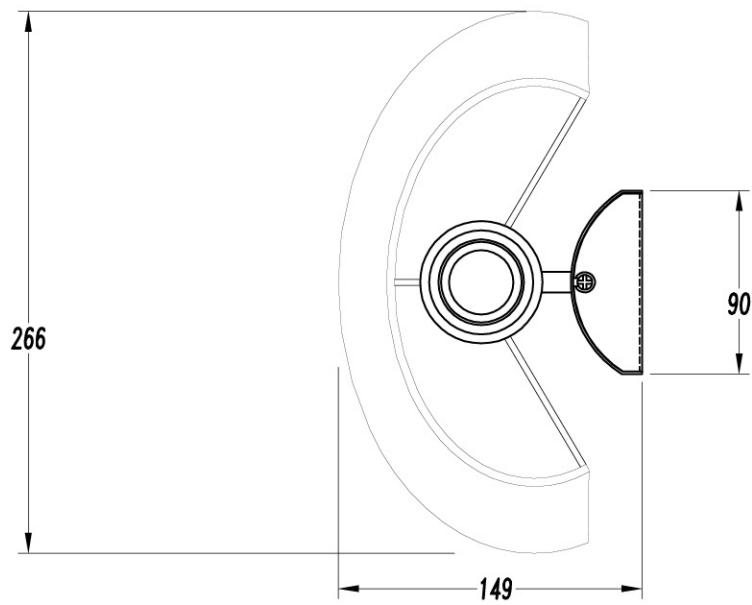
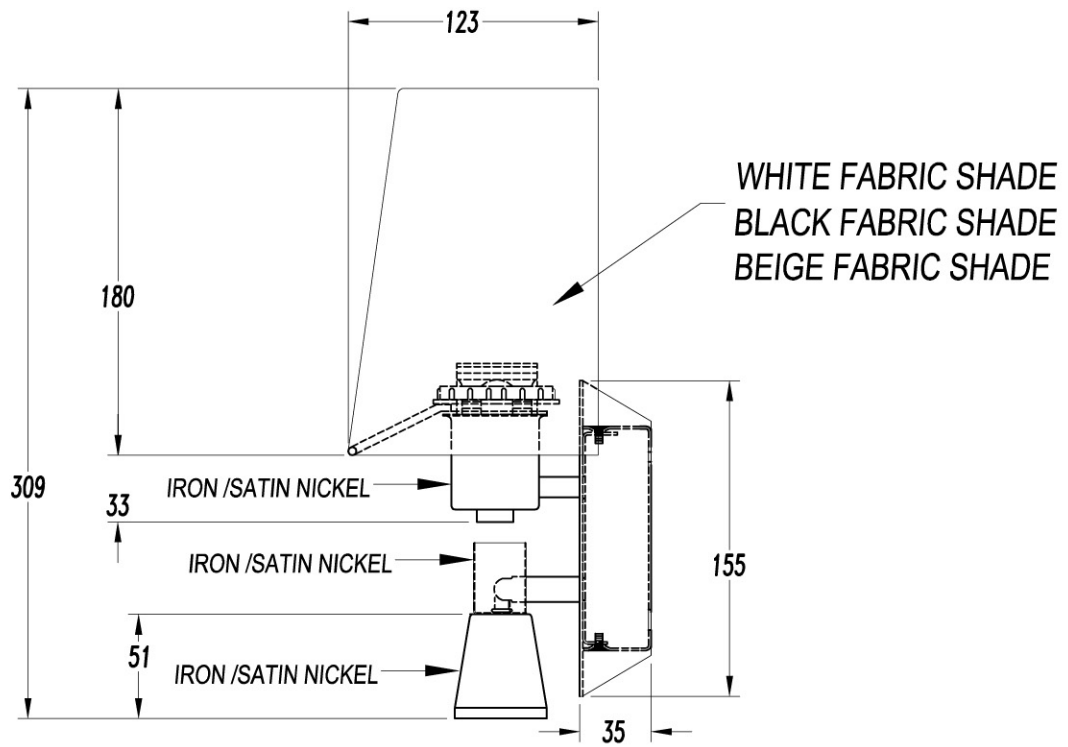


$\eta = 83,85\%$

Download photometric file .ldt / .ies

Luminaria		Ensayo		Lámpara	
Código	05-2814-81-14	Código	05-2814-81-14	Código	CLAS A CL 60
Nombre	Aplicado BALMORAL 60W E27 + led	Nombre	Aplicado BALMORAL 60W E27 + led	Número	2
Familia	- LEDS-C4	Fecha	12-04-2010	Posición	Universal
Eficiencia	83.85%	Sist. de Coorden.	C-G	Flujo Total	814.00 lm
Valor Máximo	1807.97 cd	Posición	C=90.00 G=90.00	Sim. en los planos	270-90







LEDS • C4

