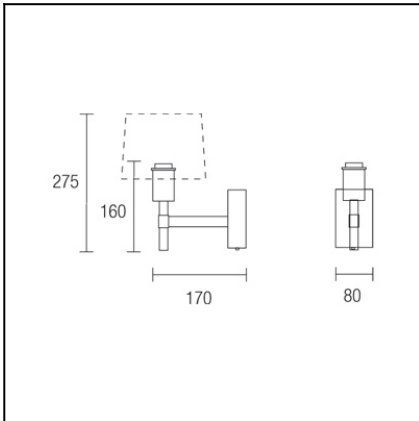




The photograph may not match the reference exactly. Please read the product description to identify the finish.


**TECHNICAL CHARACTERISTICS**

Type:	Wall fixture
IP Protection degrees:	IP20
Lampholder:	1 x E27
Power (W):	E27 MAX 60W
Total power consumption (W):	60
Voltage / Frequency:	220-240V/50-60Hz
Warranty (Years):	2
Units per box:	12
Net Weight (Kg):	0.67
EAN:	8435111066041,00


**MATERIALS / FINISHES**

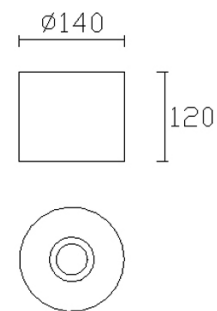
**Structure material:** Steel  
**Structure finish:** Chrome

Download photometric file .ldt /.ies

PAN-175-14



**Structure material:** Steel  
**Structure finish:** White  
**Diffuser material:** Fabric shade  
**Diffuser finish:** White

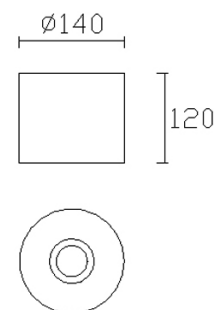


IP20

PAN-175-BY



**Structure material:** Steel  
**Structure finish:** White  
**Diffuser material:** Fabric shade  
**Diffuser finish:** Sandblasted

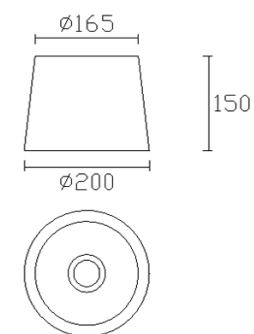


IP20

PAN-157-14



**Structure material:** Steel  
**Structure finish:** White  
**Diffuser material:** Fabric shade  
**Diffuser finish:** White

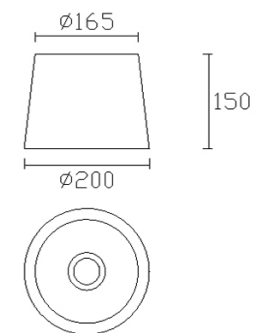


IP20

PAN-157-BY



**Structure material:** Steel  
**Structure finish:** White  
**Diffuser material:** Fabric shade  
**Diffuser finish:** Sandblasted

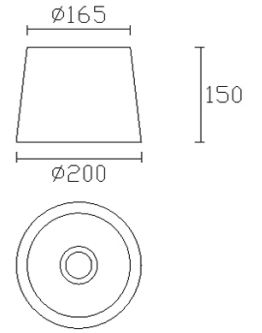


IP20

PAN-158-J6



**Structure material:** Steel  
**Structure finish:** White  
  
**Diffuser material:** Fabric shade  
**Diffuser finish:** Brown

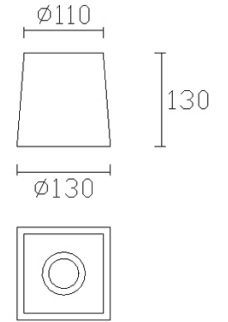


IP20

PAN-178-14



**Structure material:** Steel  
**Structure finish:** White  
  
**Diffuser material:** Fabric shade  
**Diffuser finish:** White

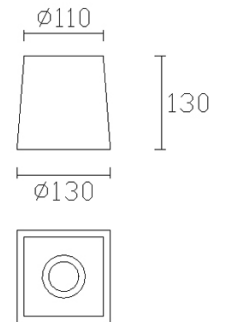


IP20

PAN-178-BY



**Structure material:** Steel  
**Structure finish:** White  
  
**Diffuser material:** Fabric shade  
**Diffuser finish:** Sandblasted

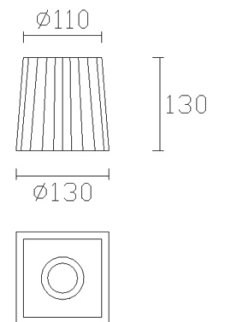


IP20

PAN-186-20



**Structure material:** Steel  
**Structure finish:** White  
  
**Diffuser material:** Fabric shade  
**Diffuser finish:** Beige

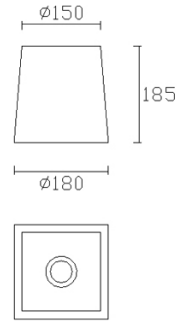


IP20

PAN-179-14



**Structure material:** Steel  
**Structure finish:** White  
**Diffuser material:** Fabric shade  
**Diffuser finish:** White

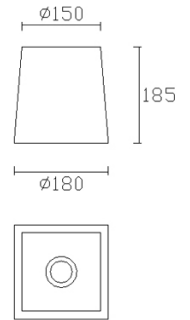


IP20

PAN-179-BY



**Structure material:** Steel  
**Structure finish:** White  
**Diffuser material:** Fabric shade  
**Diffuser finish:** Sandblasted

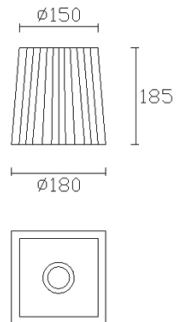


IP20

PAN-187-20



**Structure material:** Steel  
**Structure finish:** White  
**Diffuser material:** Fabric shade  
**Diffuser finish:** Beige

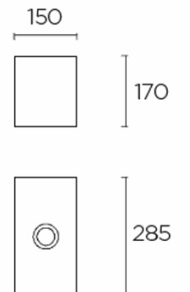


IP20

PAN-176-14



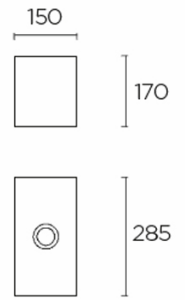
**Structure material:** Steel  
**Diffuser material:** Fabric shade  
**Diffuser finish:** White



PAN-176-BY



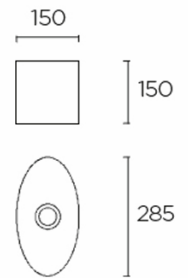
**Structure material:** Steel  
**Diffuser material:** Fabric shade  
**Diffuser finish:** Sandblasted



PAN-177-14



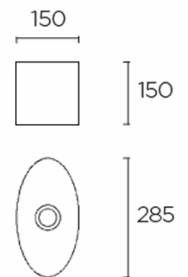
**Structure material:** Steel  
**Diffuser material:** Fabric shade  
**Diffuser finish:** White



PAN-177-BY



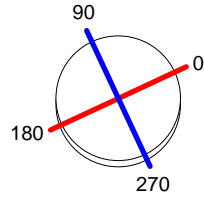
**Structure material:** Steel  
**Diffuser material:** Fabric shade  
**Diffuser finish:** Sandblasted



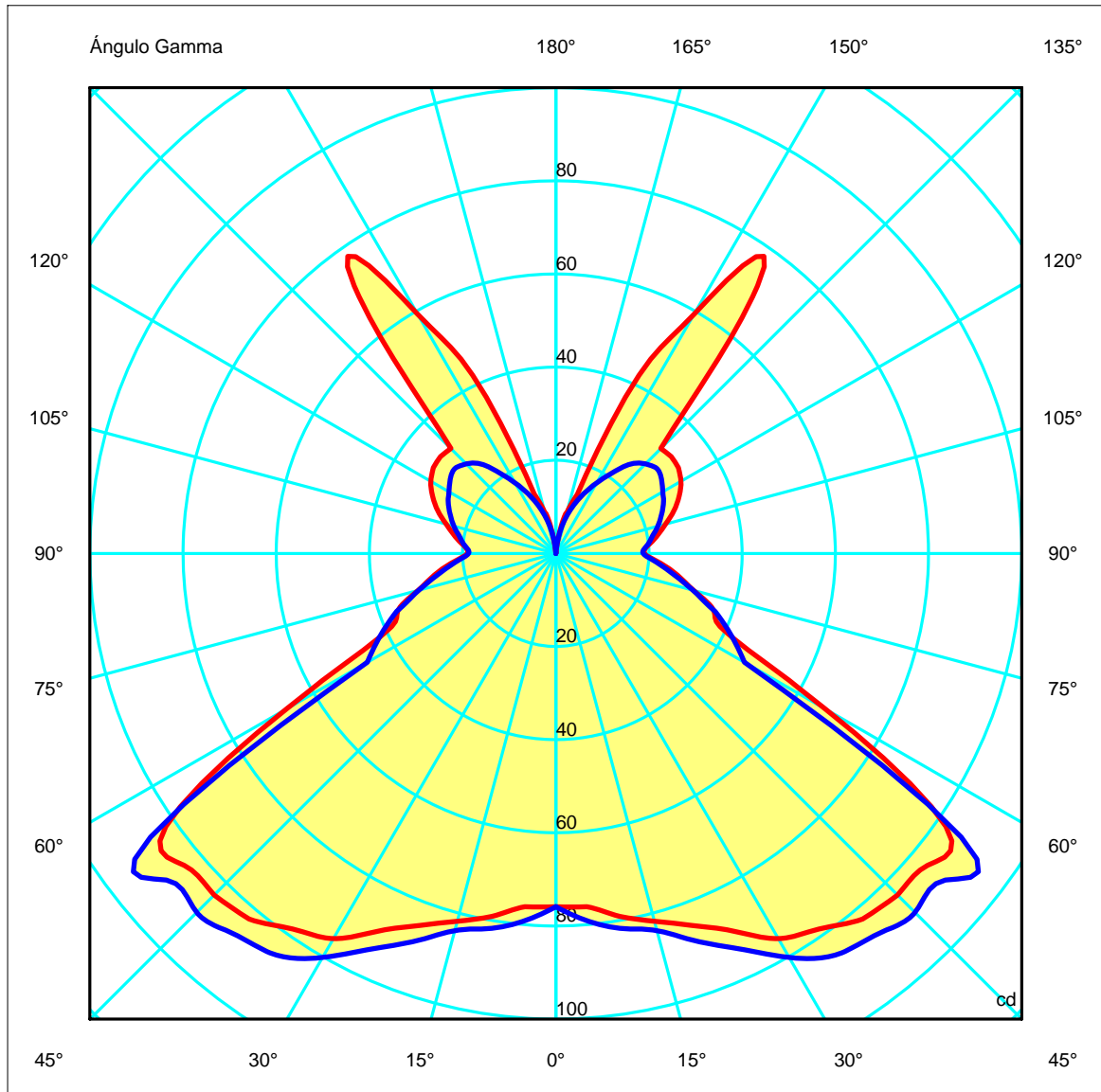
<b>Luminaria</b>		<b>Ensayo</b>		<b>Lámpara</b>	
Código	05-2815-81-81 144-14	Código	05-2815-81-81 144-14	Código	CLAS A CL 60
Nombre	Aplique BRISTOL 60W E27 144-14	Nombre	Aplique BRISTOL 60W PAN-144-14	Número	1
Familia	- LEDS-C4	Fecha	19-04-2010	Posición	Universal
Eficiencia	81.88%	Sist. de Coorden.	C-G	Flujo Total	710.00 lm
Valor Máximo	109.12 cd	Posición	C=90.00 G=50.00		Bisimétrico

Diam=200mm

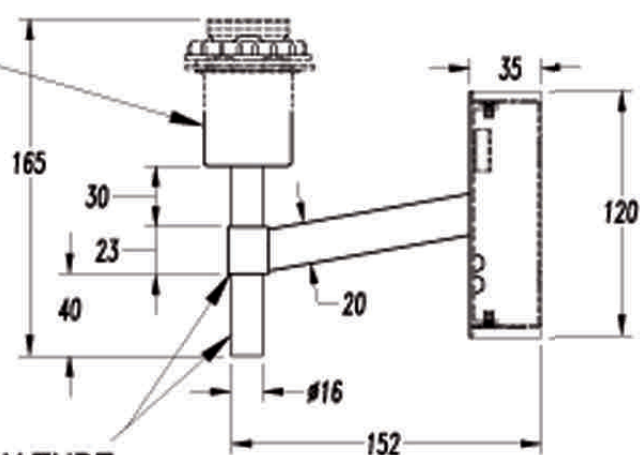
Semiplanos C



180.0 ——— 0.0  
270.0 ——— 90.0

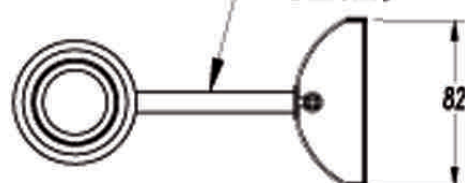


IRON /Satin Nickel  
or Chrome

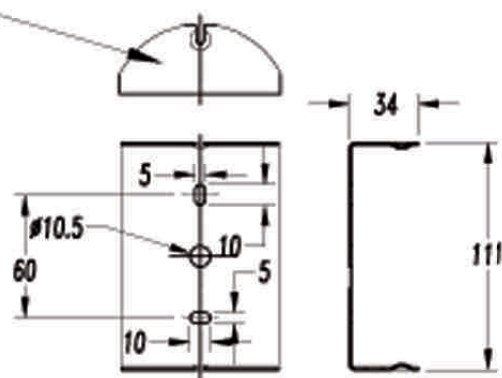


$\varnothing 16$  IRON TUBE  
/Satin Nickel or  
Chrome

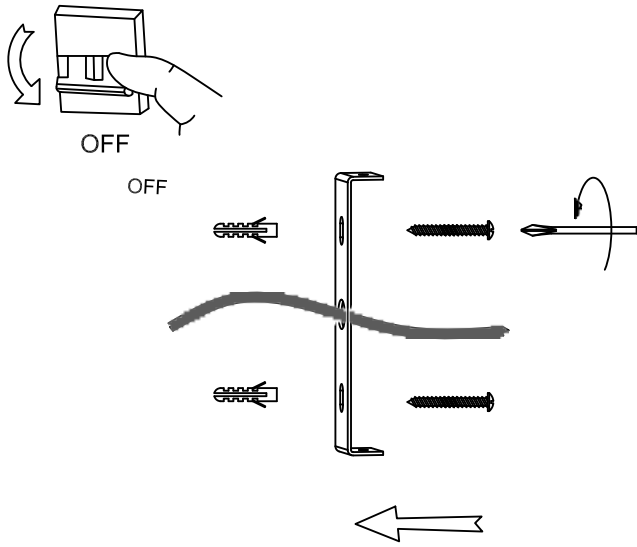
20x10 IRON TUBE  
/Satin Nickel or  
Chrome



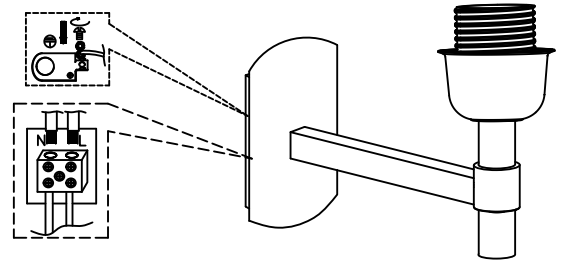
IRON /Satin Nickel  
or Chrome



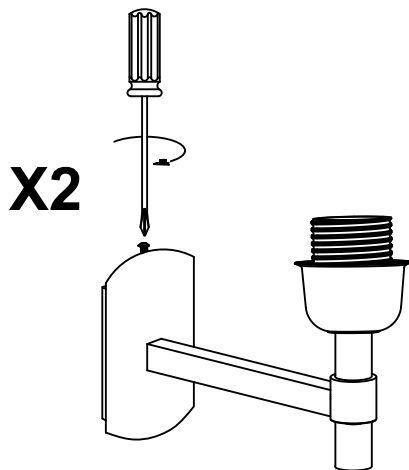
**1**



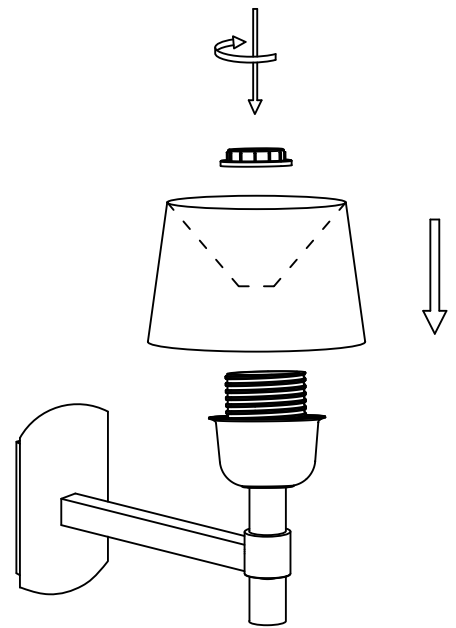
**2**



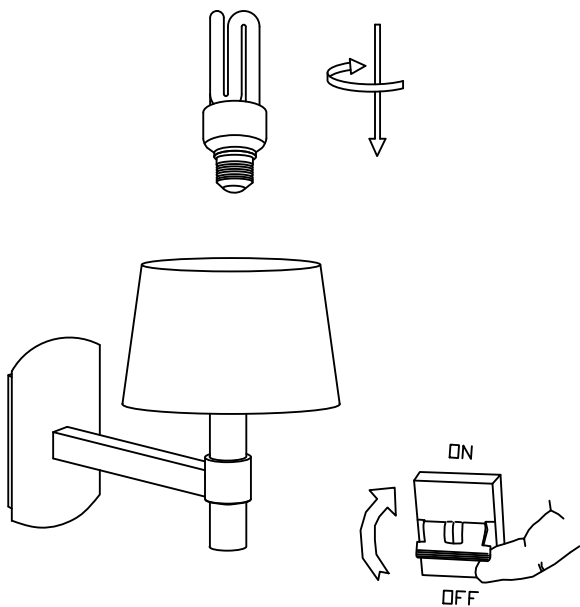
**3**



**4**



**5**



**6**

