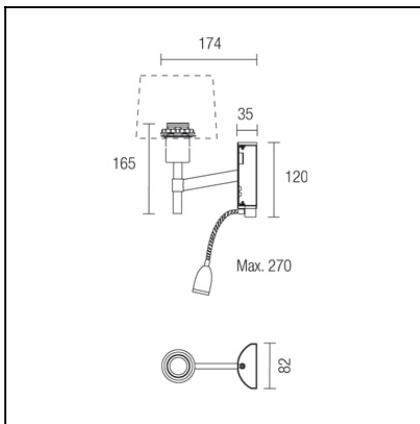




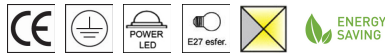
The photograph may not match the reference exactly. Please read the product description to identify the finish.



Download photometric file .ldt /.ies

TECHNICAL CHARACTERISTICS

Type:	Wall fixture
IP Protection degrees:	IP20
Bulb:	1 x LED Cree. Warm White - 3000K 1 x E27
Power (W):	3 E27 60
Luminous efficacy (Lm/W):	82
CRI:	80
Voltage / Frequency:	100-240V/50-60Hz
Warranty (Years):	2
Option to extend the guarantee:	Yes, 5 years
Units per box:	12
Net Weight (Kg):	0.73
EAN:	8435111081068,00


MATERIALS / FINISHES

Structure material: Steel

Structure finish: Satin nickel

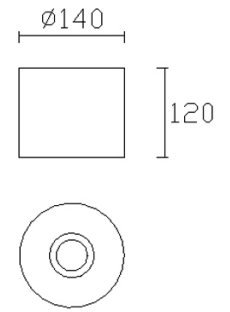
GEAR

Multi-voltage electronic gear included (110-240 V / 50-60 Hz)

PAN-175-14


Structure material: Steel
Structure finish: White

Diffuser material: Fabric shade
Diffuser finish: White

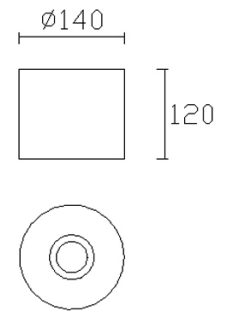


IP20

PAN-175-BY


Structure material: Steel
Structure finish: White

Diffuser material: Fabric shade
Diffuser finish: Sandblasted

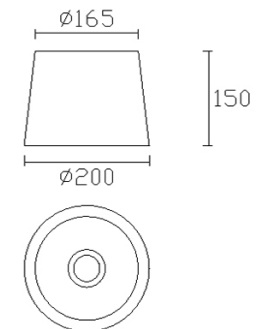


IP20

PAN-157-14


Structure material: Steel
Structure finish: White

Diffuser material: Fabric shade
Diffuser finish: White

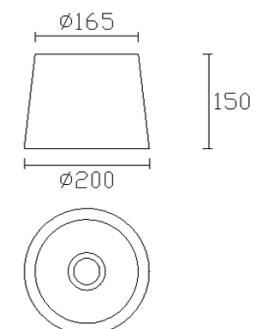


IP20

PAN-157-BY


Structure material: Steel
Structure finish: White

Diffuser material: Fabric shade
Diffuser finish: Sandblasted



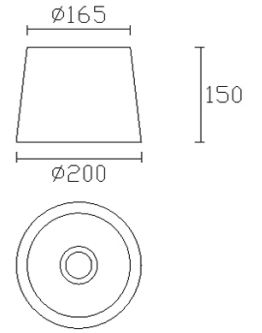
IP20

PAN-158-J6



Structure material: Steel
Structure finish: White

Diffuser material: Fabric shade
Diffuser finish: Brown



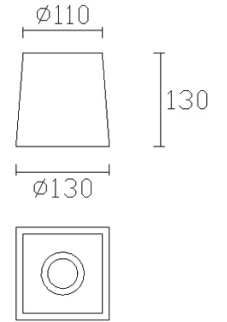
IP20

PAN-178-14



Structure material: Steel
Structure finish: White

Diffuser material: Fabric shade
Diffuser finish: White



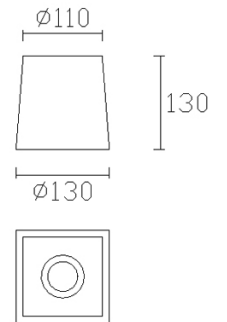
IP20

PAN-178-BY



Structure material: Steel
Structure finish: White

Diffuser material: Fabric shade
Diffuser finish: Sandblasted



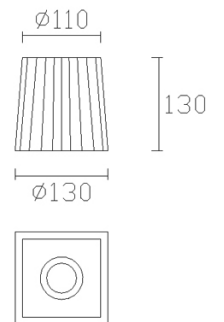
IP20

PAN-186-20



Structure material: Steel
Structure finish: White

Diffuser material: Fabric shade
Diffuser finish: Beige

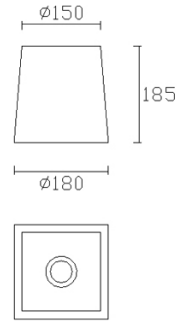


IP20

PAN-179-14



Structure material: Steel
Structure finish: White
Diffuser material: Fabric shade
Diffuser finish: White

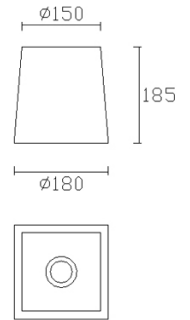


IP20

PAN-179-BY



Structure material: Steel
Structure finish: White
Diffuser material: Fabric shade
Diffuser finish: Sandblasted

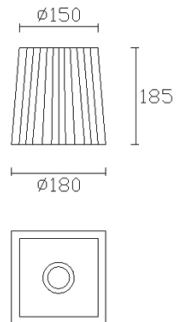


IP20

PAN-187-20



Structure material: Steel
Structure finish: White
Diffuser material: Fabric shade
Diffuser finish: Beige

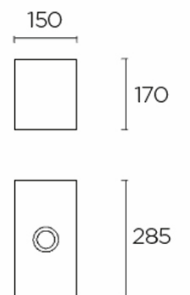


IP20

PAN-176-14



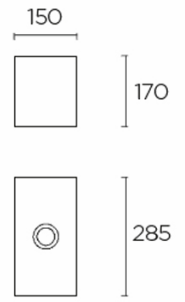
Structure material: Steel
Diffuser material: Fabric shade
Diffuser finish: White



PAN-176-BY



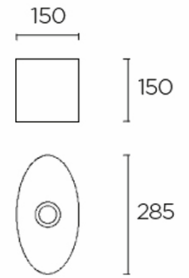
Structure material: Steel
Diffuser material: Fabric shade
Diffuser finish: Sandblasted



PAN-177-14



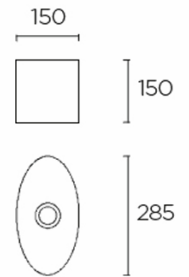
Structure material: Steel
Diffuser material: Fabric shade
Diffuser finish: White



PAN-177-BY

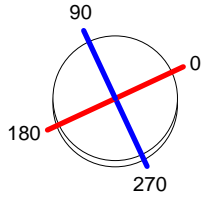


Structure material: Steel
Diffuser material: Fabric shade
Diffuser finish: Sandblasted

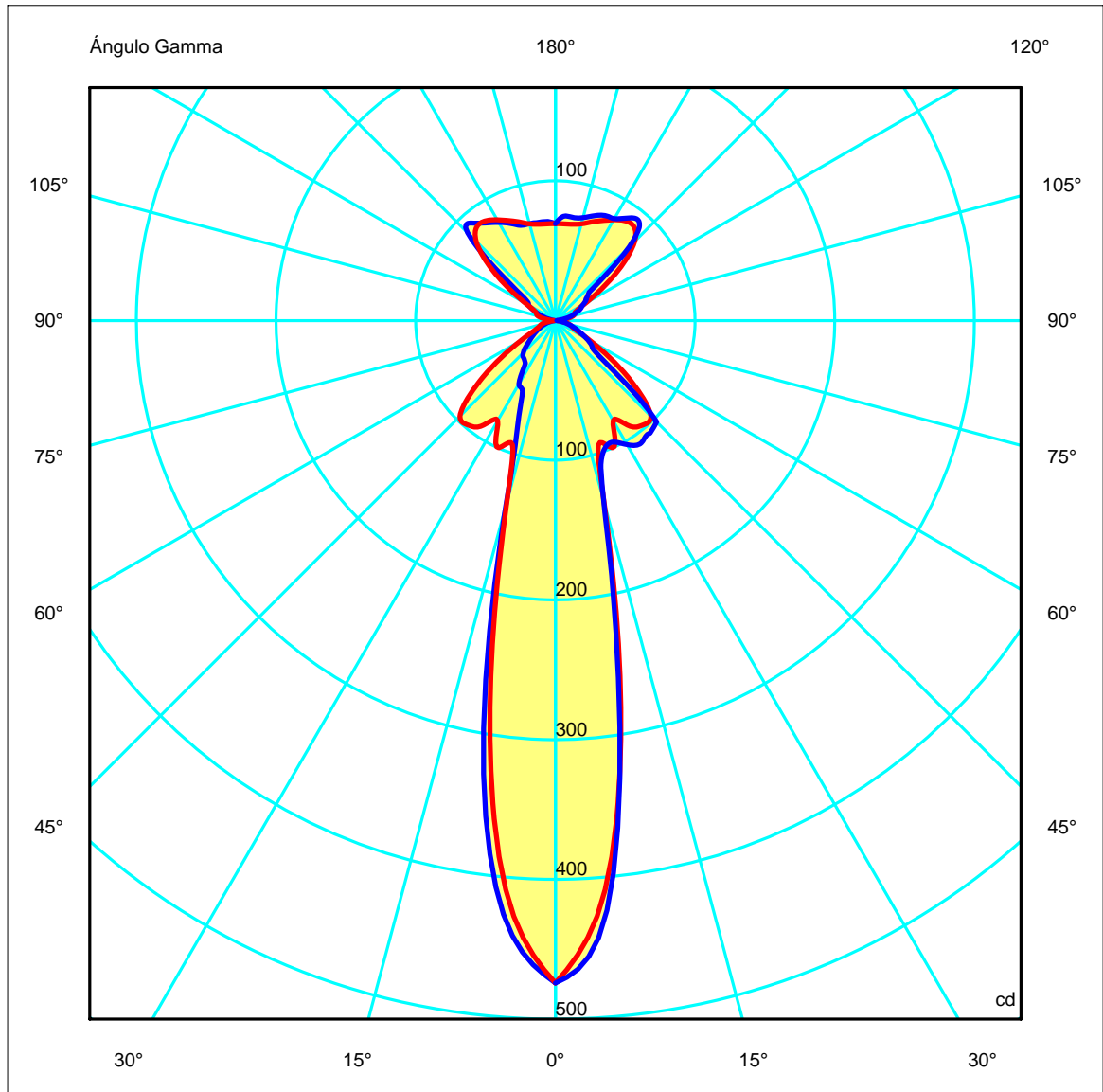
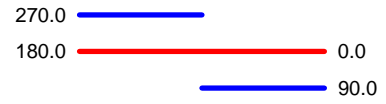


Luminaria		Ensayo		Lámpara	
Código	05-2816-81-81	Código	05-2816-81-81	Código	CLAS A CL 60
Nombre	Aplicque BRISTOL 60W + 1 led 3W	Nombre	Aplicque BRISTOL 60W + 1 led 3W	Número	2
Familia	- LEDS-C4	Fecha	19-07-2010	Posición	Universal
Eficiencia	69.11%	Sist. de Coorden.	C-G	Flujo Total	787.09 lm
Valor Máximo	474.10 cd	Posición	C=270.00 G=0.00	Sim. en los planos	270-90

Diam=200mm

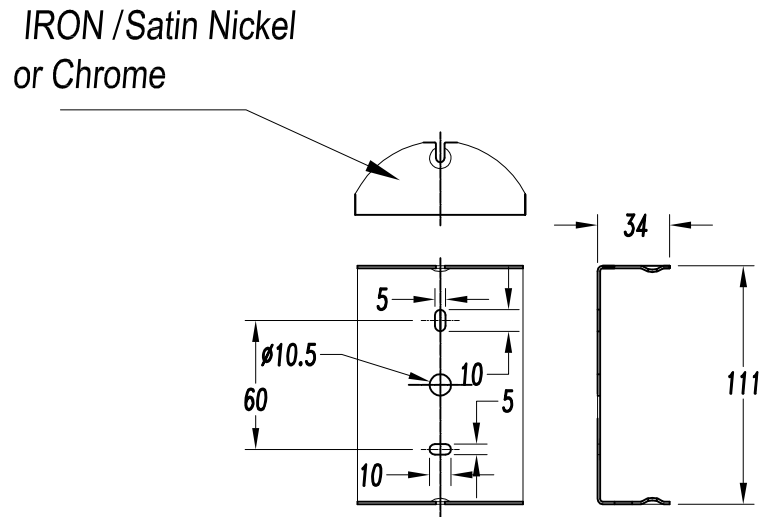
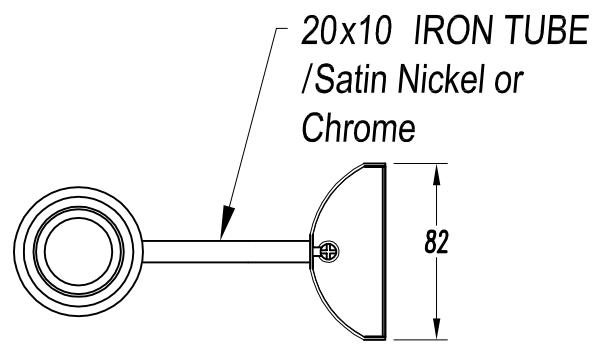
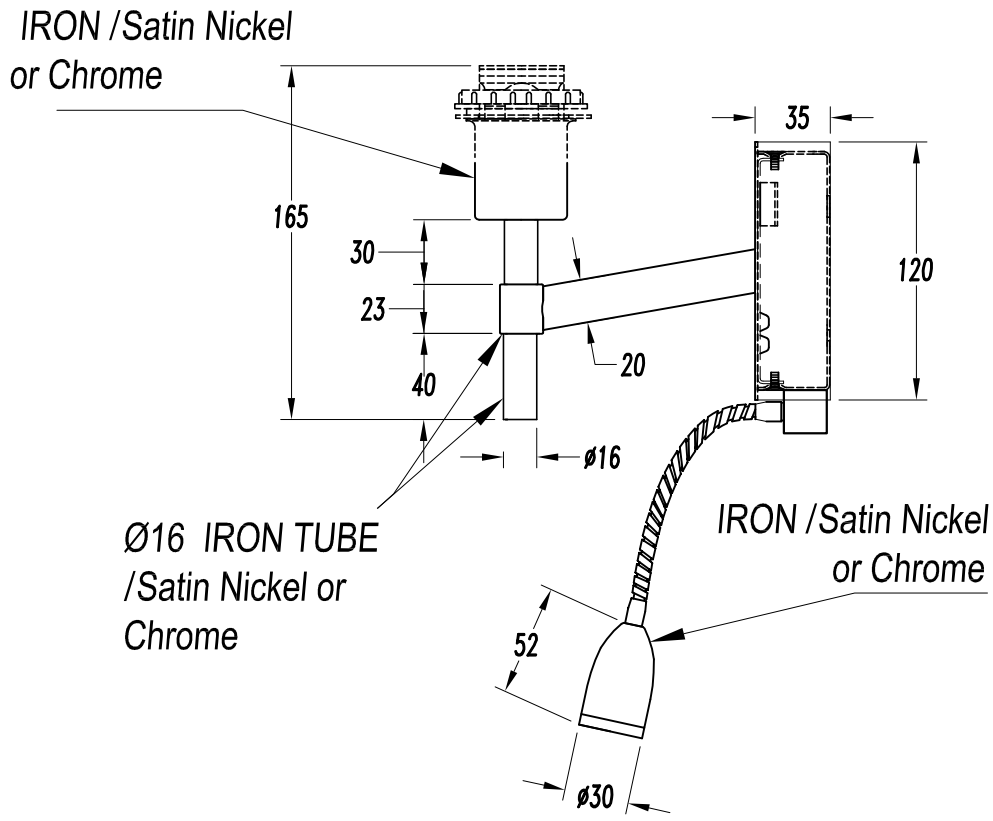


Semiplanos C

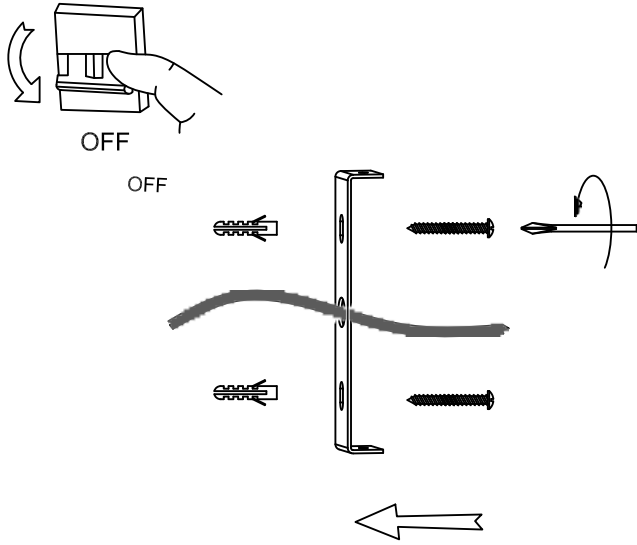


PRODUCIDO POR UN PRODUCTO EDUCATIVO DE AUTODESK

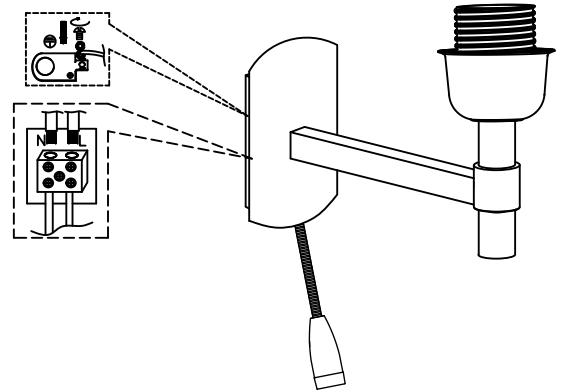
PRODUCIDO POR UN PRODUCTO EDUCATIVO DE AUTODESK



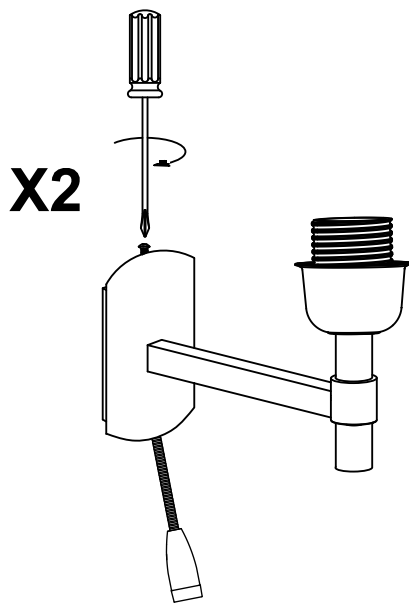
1



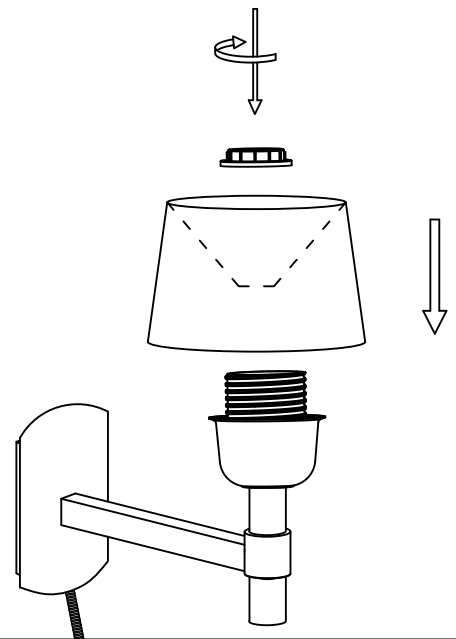
2



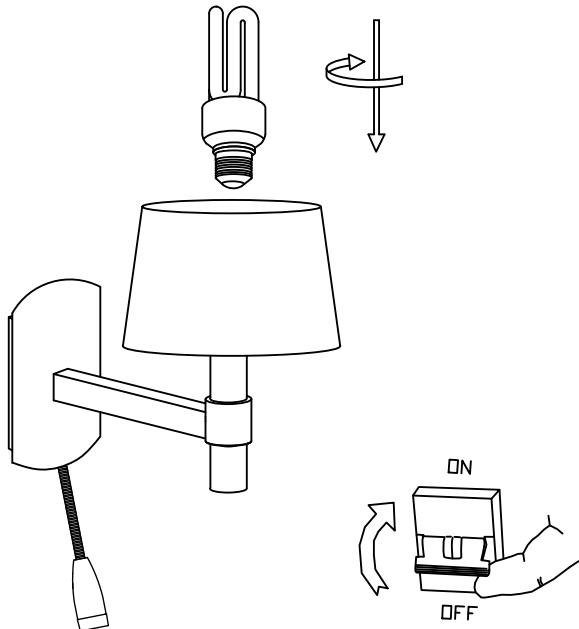
3



4



5



6

