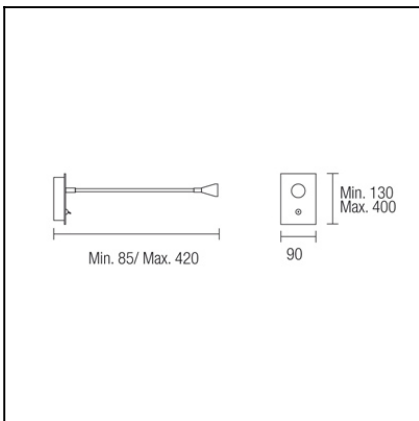


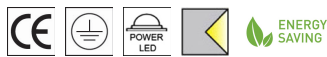


The photograph may not match the reference exactly. Please read the product description to identify the finish.



**TECHNICAL CHARACTERISTICS**

Type:	Wall fixture
IP Protection degrees:	IP20
Bulb:	1 x LED Cree. Warm White - 3000K
Power (W):	1
Angle of the optics:	60°
Voltage / Frequency:	100-240V/50-60Hz
Possibilitat extensió garantia:	Sí, 5 anys
Units per box:	6
Net Weight (Kg):	0.49
EAN:	8435111066317



**MATERIALS / FINISHES**

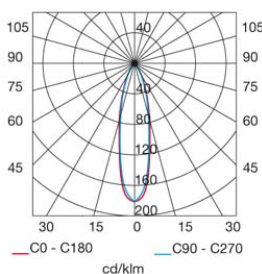
**Structure material:** Steel  
Anodized aluminium

**Structure finish:** Chrome

**GEAR**

Multi-voltage electronic gear included (220-240V / 50-60 Hz)

Led 1W

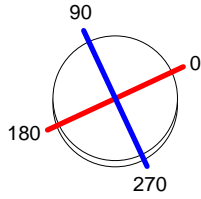


Download photometric file .ldt / .ies

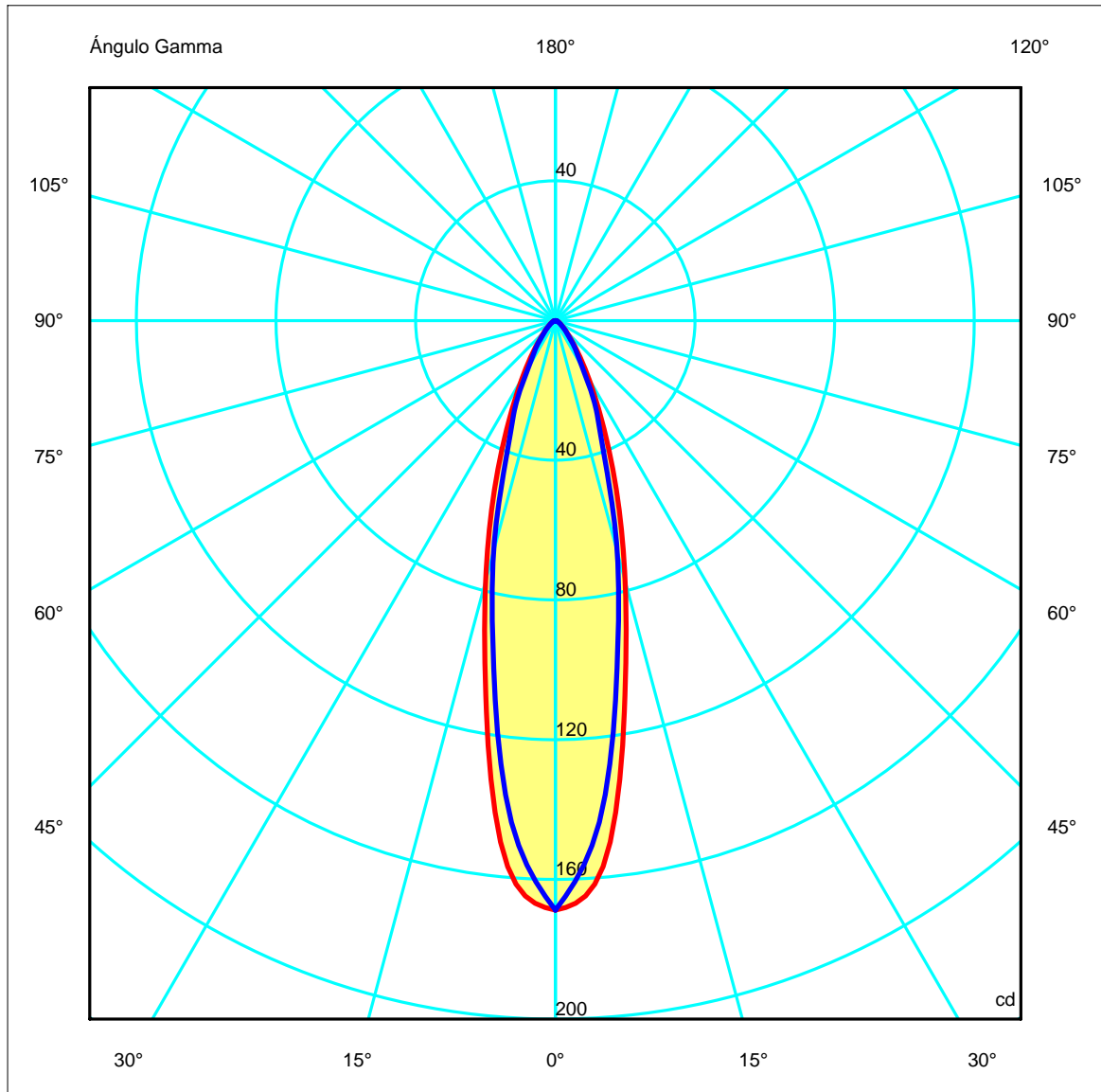
<b>Luminaria</b>		<b>Ensayo</b>		<b>Lámpara</b>	
Código	05-2837-21-21	Código	05-2837-21-21	Código	LAMP 05-2837-21-21
Nombre	Aplique BOOK 1x1W led prisma	Nombre	Aplique BOOK 1x1W led	Número	1
Familia	- LEDS C4 LEDS	Fecha	26-07-2010	Posición	Universal
Eficiencia	100.00%	Sist. de Coorden.	C-G	Flujo Total	57.42 lm
Valor Máximo	168.77 cd	Posición	C=0.00 G=0.00	Bisimétrico	

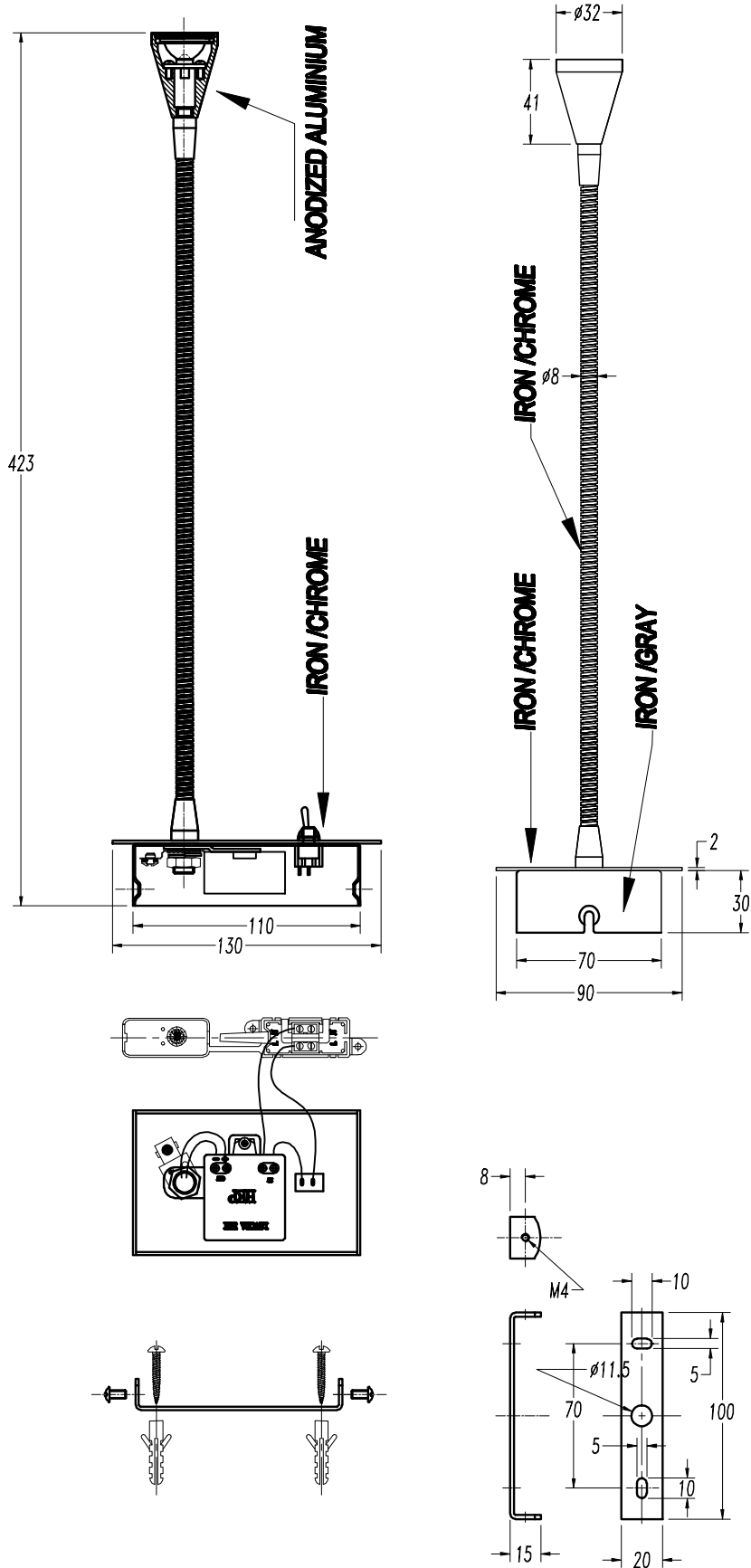
Diam=32mm

Semiplanos C

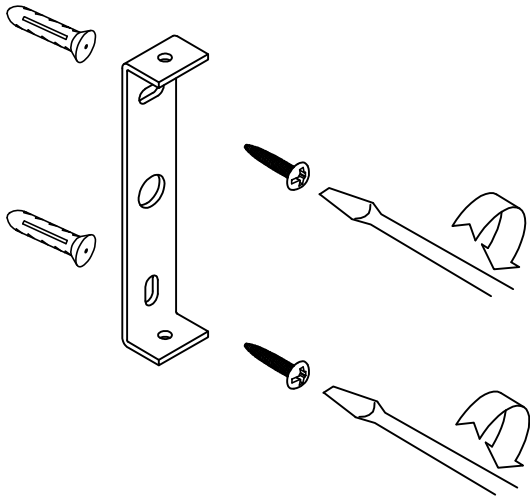
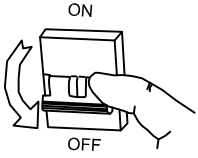


180.0 ————— 0.0  
 270.0 ————— 90.0

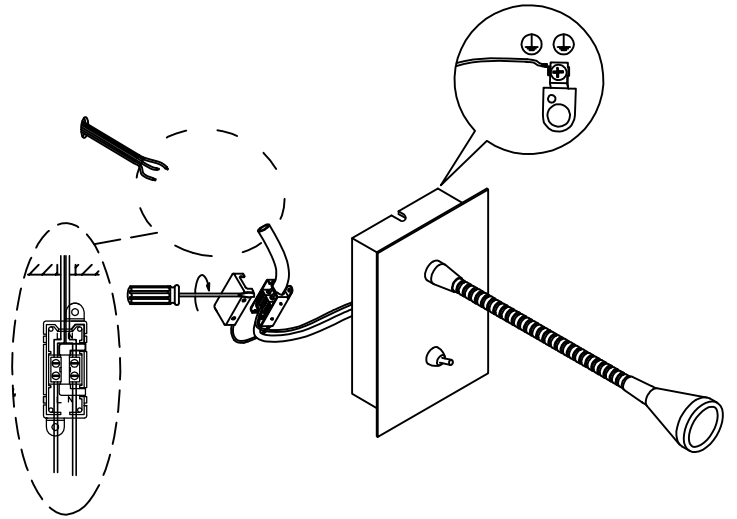




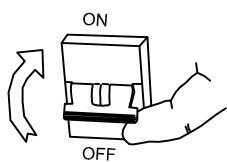
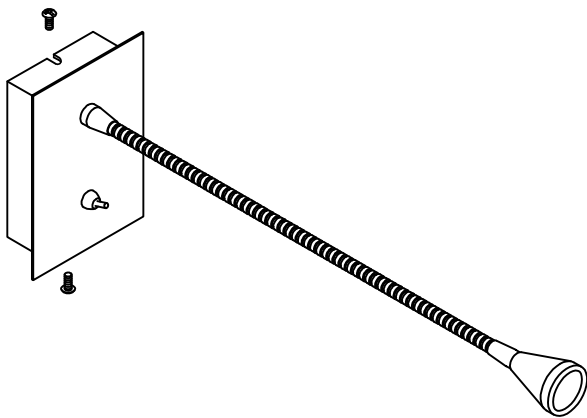
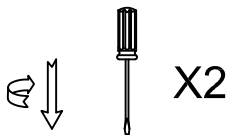
1



2



3



4

