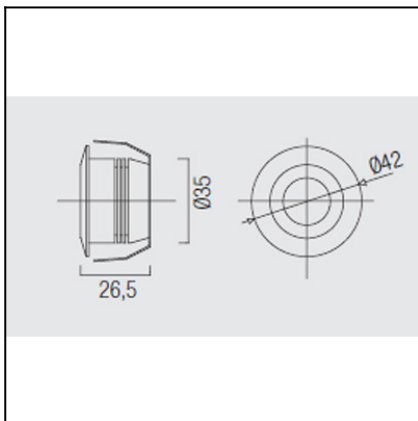




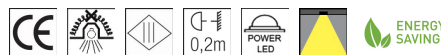
The photograph may not match the reference exactly. Please read the product description to identify the finish.


DESCRIPTION

LED light bulb suitable for recess installation on ceilings or walls. Produced in machined high grade aluminium with a PMMA lens. Finished in brushed aluminium. Available in warm white and cool white light versions. Includes a set of interchangeable optical components for a range of different lighting focuses.

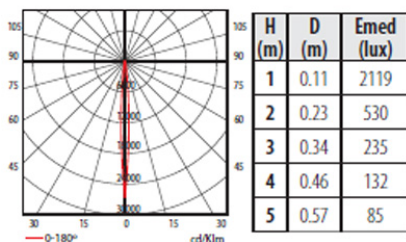
TECHNICAL CHARACTERISTICS

Type:	Downlight
IP Protection degrees:	IP20
IK Protection degrees:	IK03
Bulb:	1 x LED Cree. Warm White - 3000K
Power (W):	2,3
Total power consumption (W):	2.3
Angle Óptiques:	15°
Voltage / Frequency:	700mA
Warranty (Years):	2
Option to extend the guarantee:	Yes, 5 years
Units per box:	100
Net Weight (Kg):	0.045
EAN:	8435111071847,00


MATERIALS / FINISHES

Structure material: Aluminium
Structure finish: Brushed

Diffuser material: Methacrylate
Diffuser finish: Transparent


GEAR

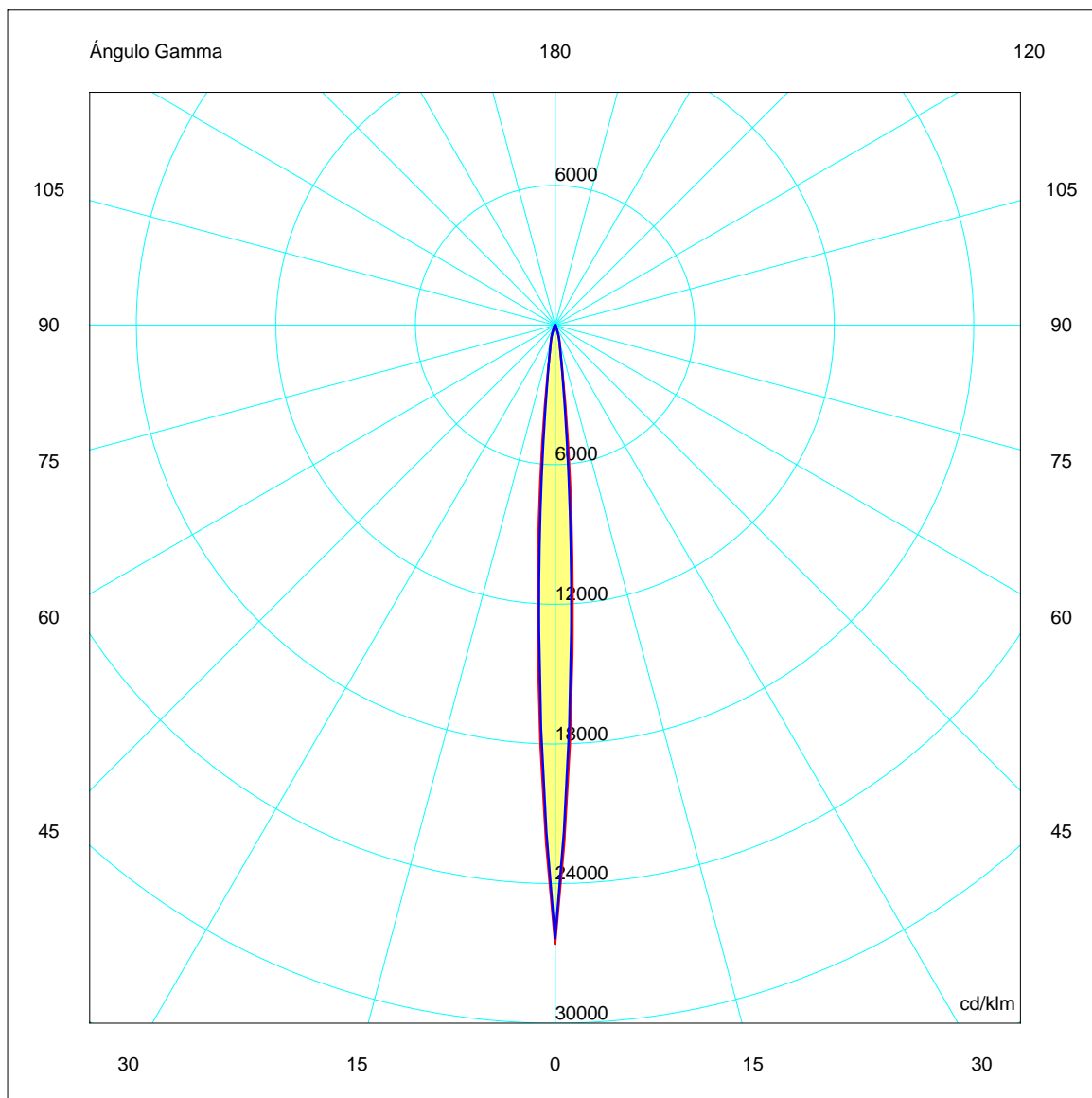
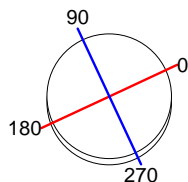
Necessary equipment not included. For more information check website / catalogs / sales organization.

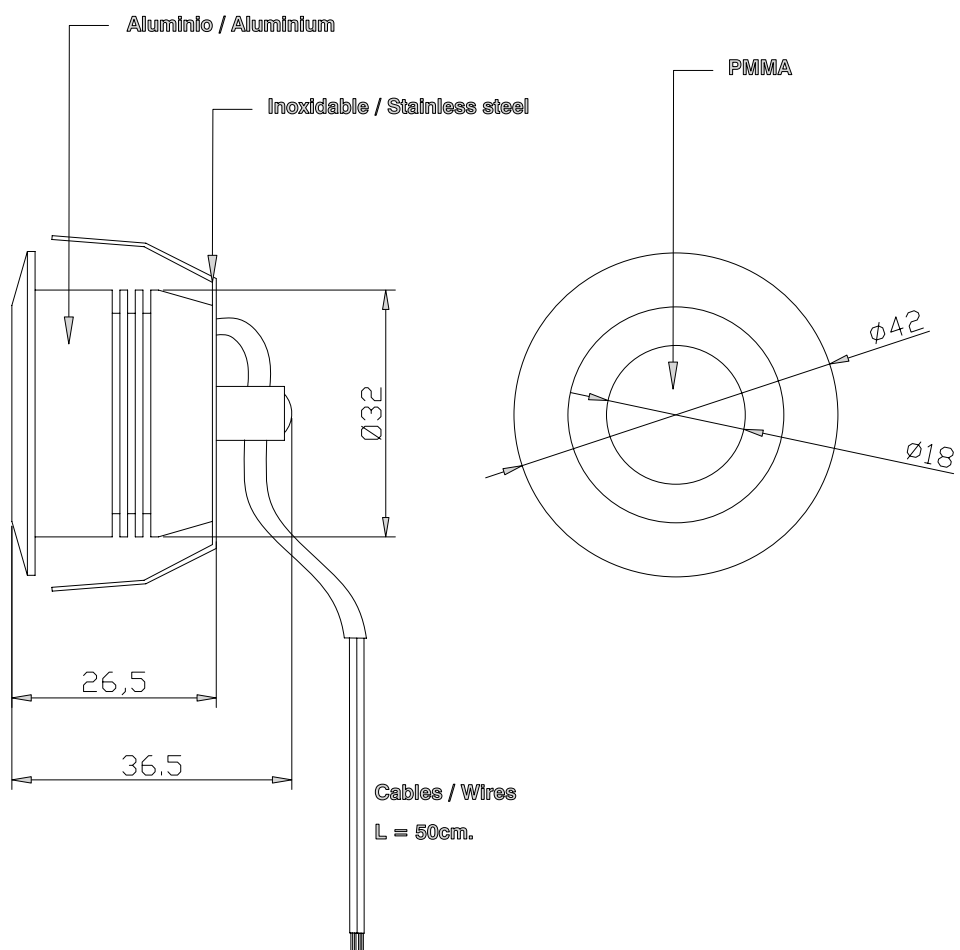
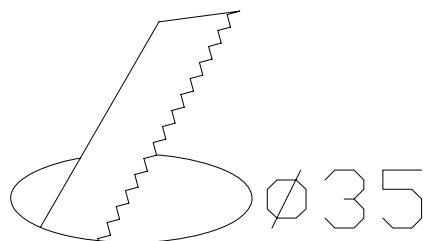
Download photometric file .ldt / .ies

Luminaria		Ensayo		Lámpara	
Código	XRE P3-15-350-2900	Código	XRE P3-15-350-2900	Código	LAMP XRE P3 15° 350
Nombre	XRE P3 15° 350mA 2900-3200	Nombre	XRE P3 15° 350mA 2900-3200	Número	1
Familia	- LEDS C4 LEDS	Fecha	24-03-2009	Posición	Universal
Eficiencia	100.00%	Sist. de Coorden.	C-G	Flujo Total	84.10 lm
Valor Máximo	26985.98 cd/klm	Posición	C=60.00 G=0.00	Bisimétrico	

Diam=29mm

Semiplanos C





1

$\varnothing 35$

OFF

2

3

4

ON