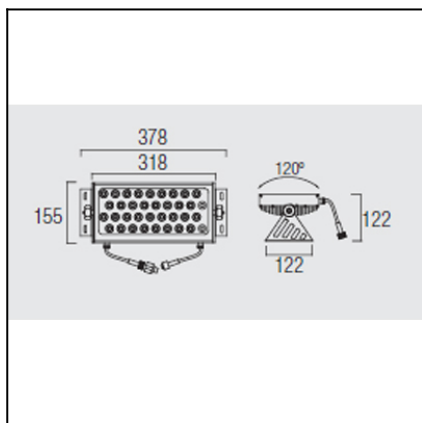




The photograph may not match the reference exactly. Please read the product description to identify the finish.


DESCRIPTION

LED floodlight for indoor and outdoor use with 24VDC power supply. Housing produced in extruded aluminium, finish in anodized aluminium with UV protected glass included. Unit produces a 25° beam angle, and has 120° vertical rotation. High protection against solid particle and liquid infiltration, high IK. Includes quick installation IP connections. Available in two different temperature colours (warm white and cool white) and also in RGB including 36 LEDs with 36W power.

TECHNICAL CHARACTERISTICS

Type:	Spotlight
Adjustable	±120° on the horizontal axis.
IP Protection degrees:	IP65
IK Protection degrees:	IK07
Bulb:	36 x LED Cree. Led RGB
Power (W):	36
Angle Optiques:	25°
Voltage / Frequency:	24 VDC
Warranty (Years):	3
Option to extend the guarantee:	Yes, 5 years
Units per box:	6
Net Weight (Kg):	2.525
EAN:	8435111079300,00


MATERIALS / FINISHES

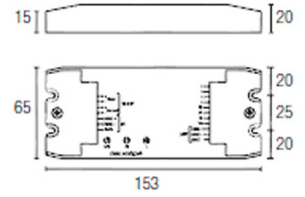
Structure material:	Silver anodized aluminium	Diffuser material:	UVA glass
Structure finish:	Matt	Diffuser finish:	Transparent

GEAR

Necessary equipment not included. For more information check website / catalogs / sales organization.

Download photometric file .ldt / .ies

71-3493-00-00

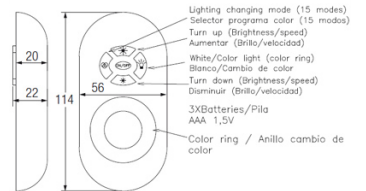


IP20

71-0019-00-00



LED stripe controller with 15 pre-set RGB programmes, 64-colour independent control ring, change of speed for programmes with colour sequence and change of light intensity for monochrome programmes. It incorporates a radio-frequency remote control.

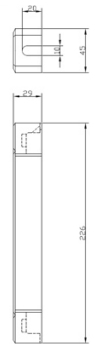


IP20

71-4662-00-00



RGB controller (without remote control)



IP20

71-4663-00-00



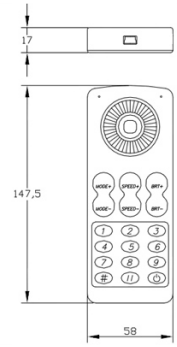
RGB controller (without remote control)

IP65

71-4666-00-00



Radio frequency remote control for managing the RGB 71-4662-00-00 and 71-4663-00-00 controllers. It incorporates a touchscreen which allows the user to independently control 64 colours, manage the 16 programmes of the controllers and change speeds and lig



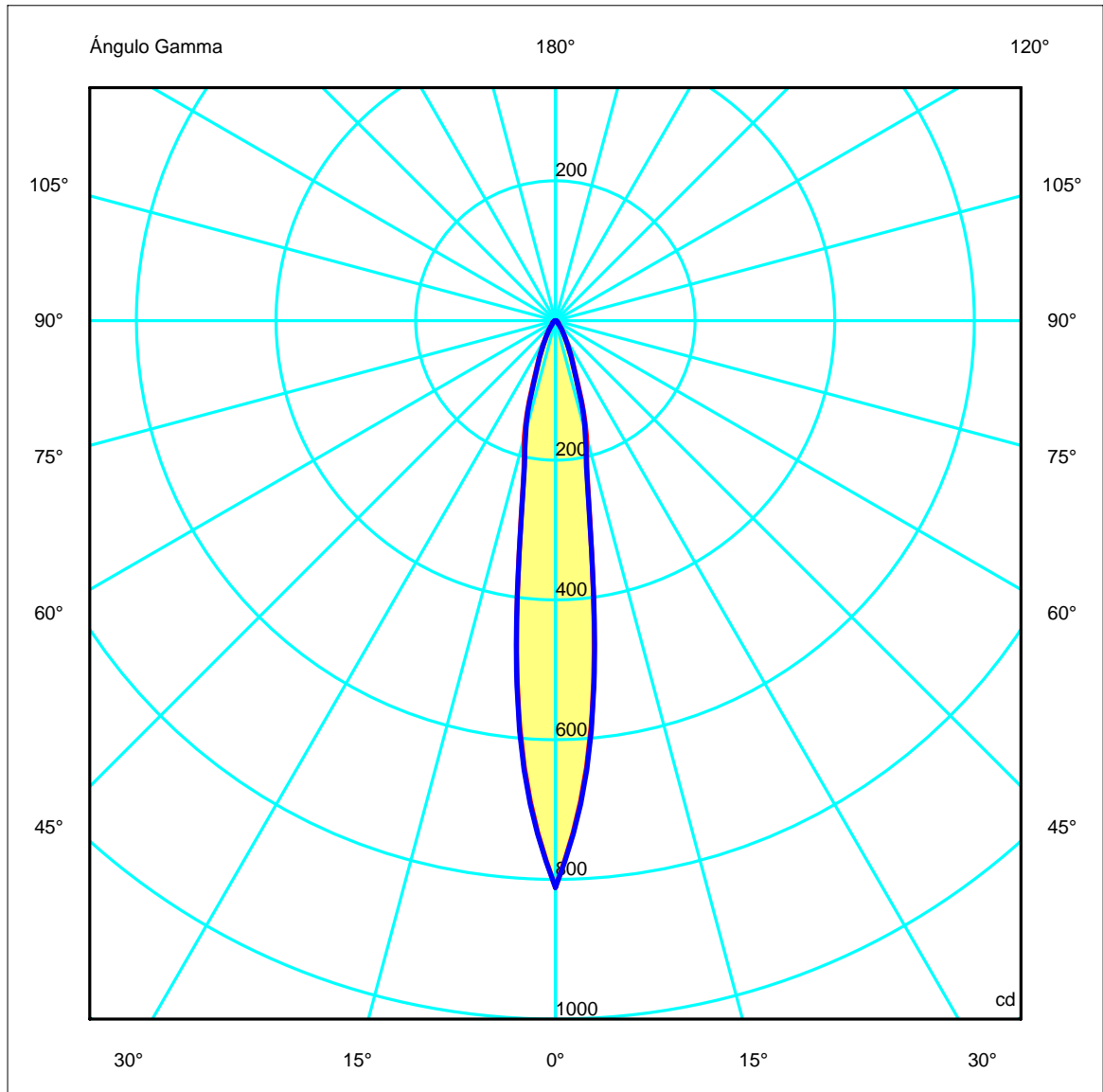
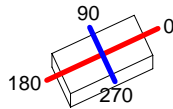
IP20

Luminaria		Ensayo		Lámpara	
Código	05-3443-54-H6-B	Código	05-3443-54-H6-B	Código	LAMP 05-3443-54-H6-B
Nombre	Proy. RAY leds 36x1W RGB azul	NombreProy..	RAY led 36x1W RGB azul	Número	1
Familia	- LEDS C4 LEDS	Fecha	04-10-2010	Posición	Universal
Eficiencia	100.00%	Sist. de Coorden.	C-G	Flujo Total	133.84 lm
Valor Máximo	811.44 cd	Posición	C=0.00 G=0.00	Bisimétrico	

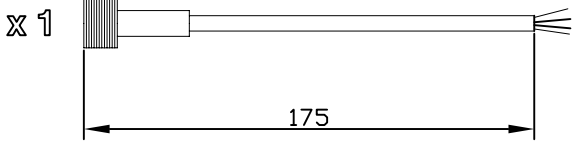
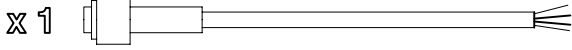
155mm x 318mm

Semiplanos C

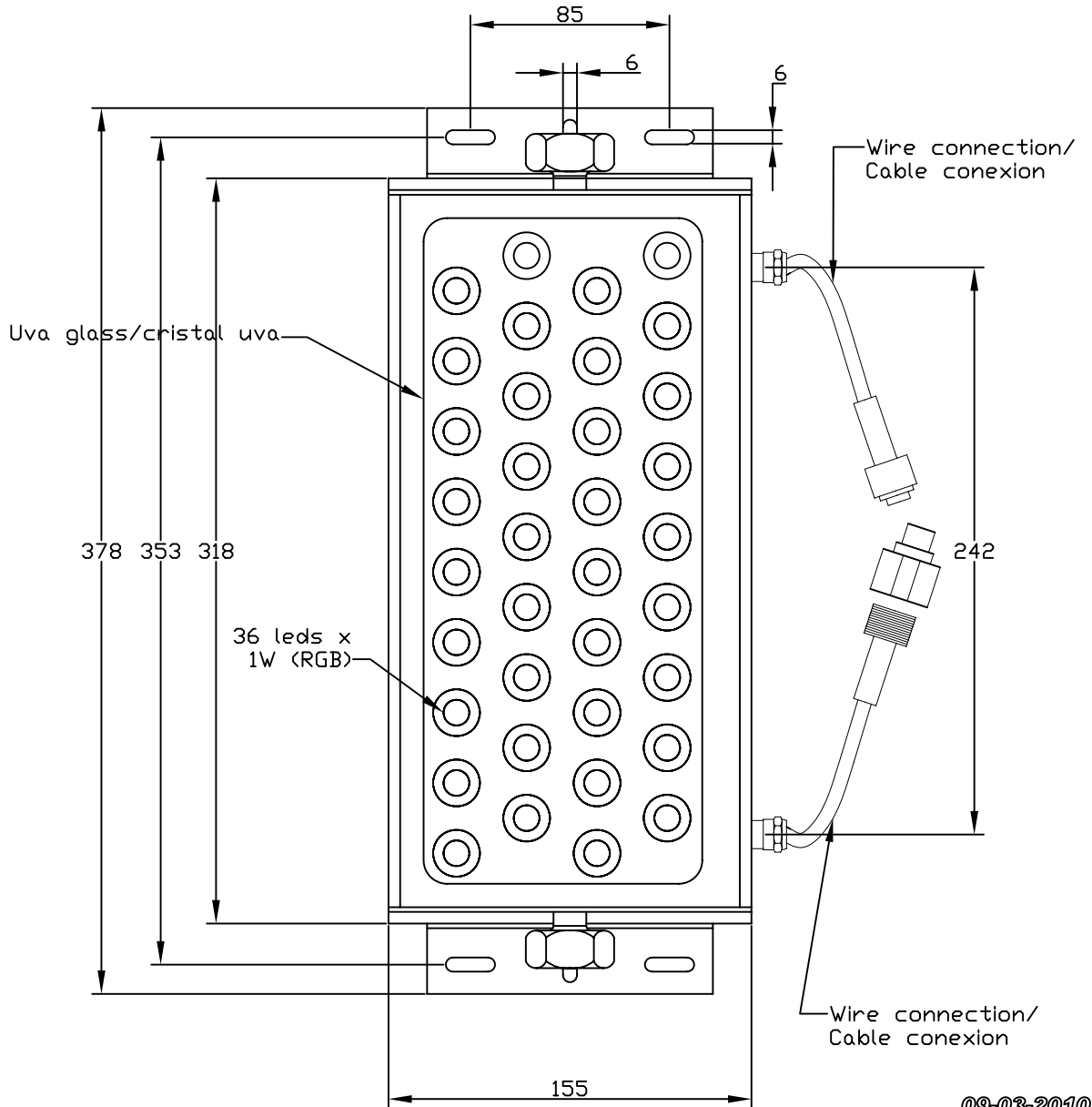
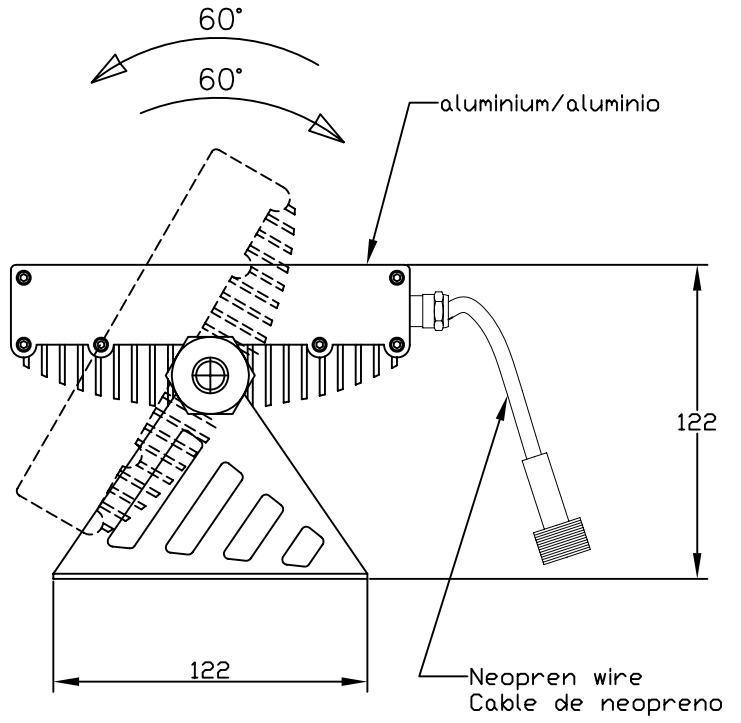
180.0 ——— 0.0
270.0 ——— 90.0



CABLES
WIRES



ACCESORIOS
ACCESSORIES





GUIA INSTALCIÓN SERIE RAY
INSTALLATION GUIDE RAY SERIES
INSTALLATIONSANLEITUNG SERIE RAY
GUIDE D'INSTALLATION SÉRIE RAY
GUIDA DI INSTALLAZIONE SERIE RAY

05-3442-54-H6 - NEUTRAL WHITE

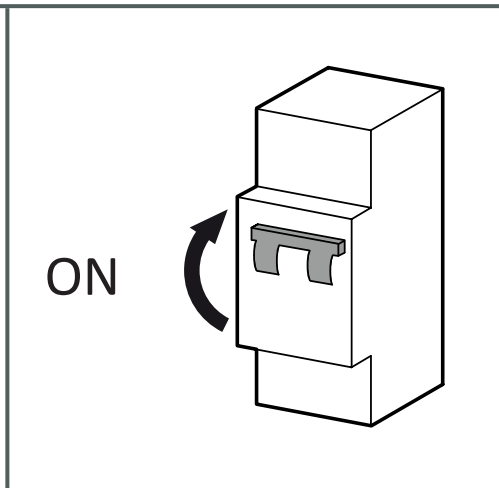
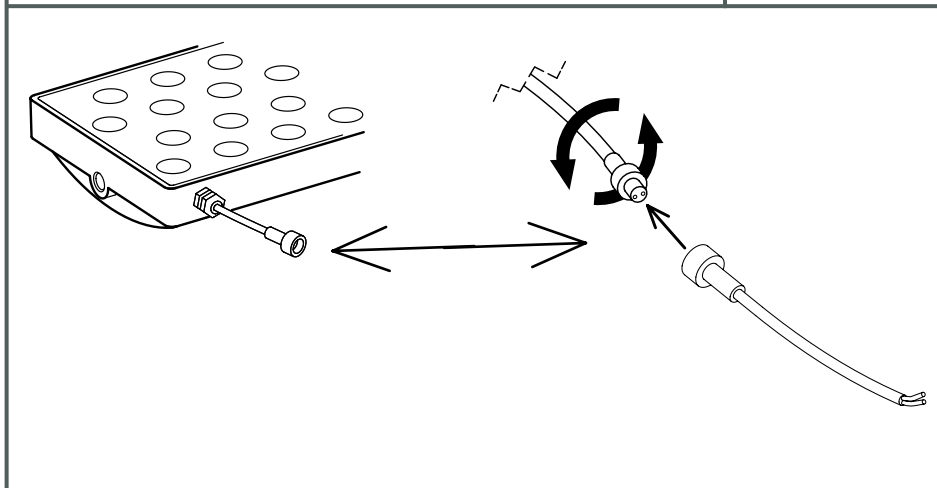
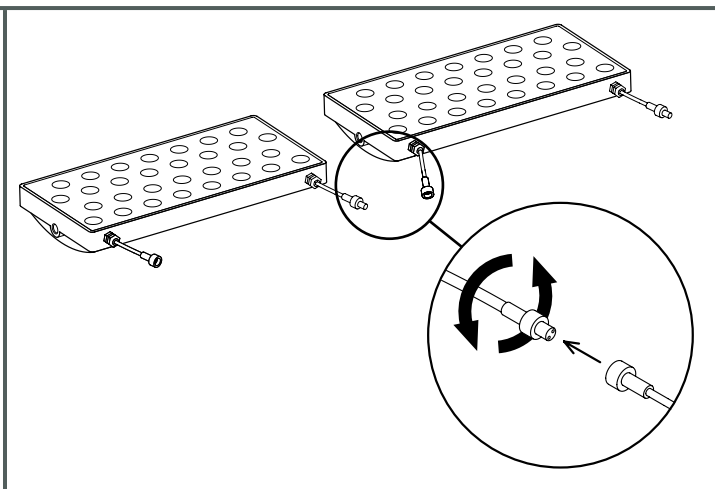
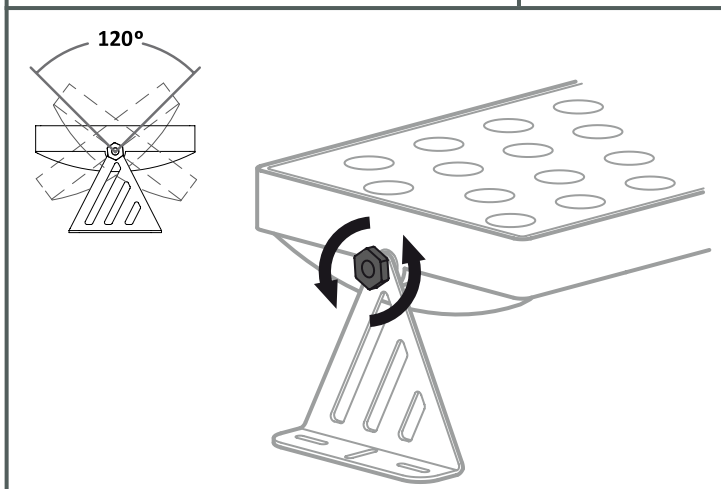
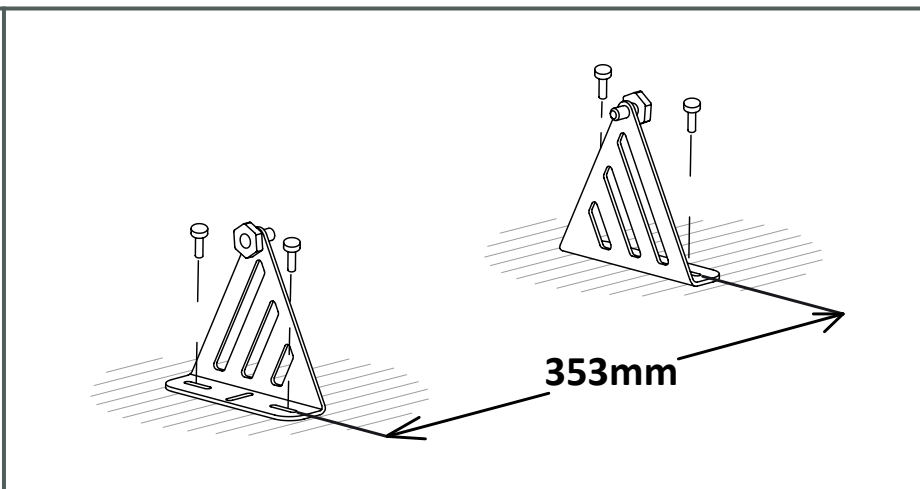
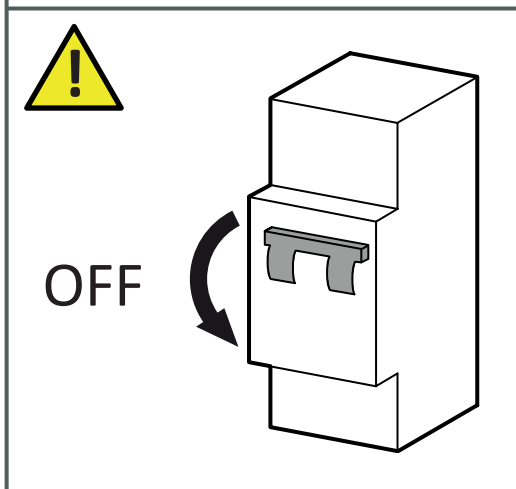
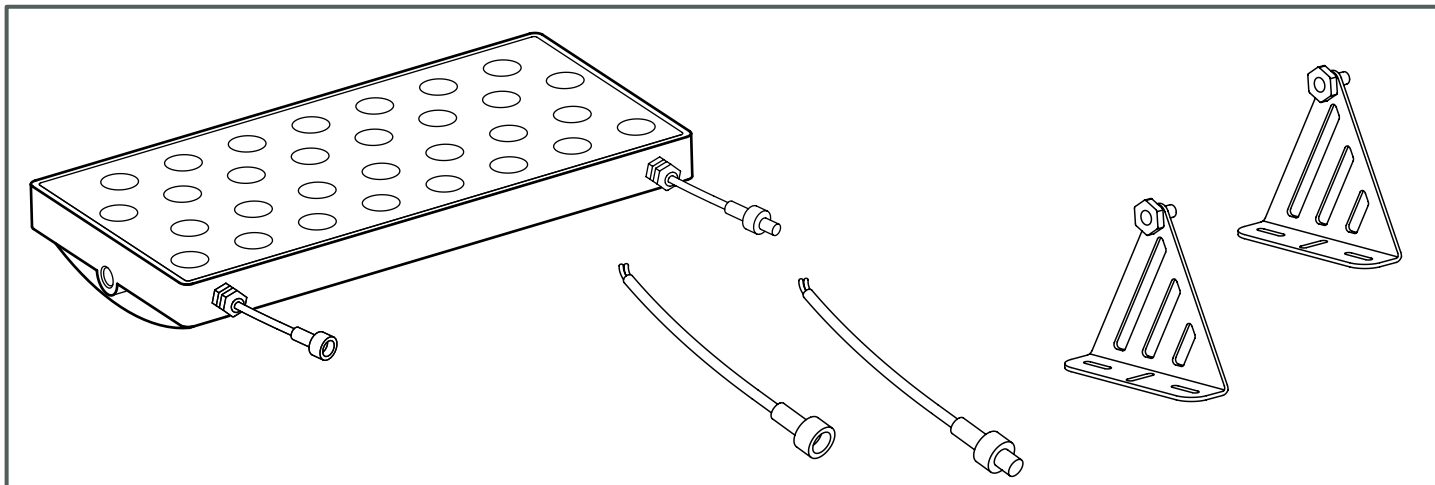
05-4669-54-H6 - WARM WHITE

05-3443-54-H6 - RGB

LEDS-C4 S.A.
CIF A-59410910

Afores, s/n
25750 Torà · Lleida · Spain
T +34 973 46 81 00
F +34 973 46 81 06
e-mail: leds-c4@leds-c4.com

WWW.LEDS-C4.COM



PS
24VDC

71-0038-00-00 - 26,4 W
 71-0039-00-00 - 52,8 W
 71-0063-00-00 - 76,8 W
 71-0064-00-00 - 156 W
 71-0065-00-00 - 240 W
 71-0066-00-00 - 312 W
 71-4727-00-00 - 150 W (IP67)

C
DALI

71-3473-00-00 - 120 W

C
WHITE

71-0017-00-00 - 288 W

C
DMX

71-3493-00-00 - 192 W

C
RGB

71-0019-00-00 - 432 W

A

71-3433-00-00 - 288 W
 71-1553-00-00 - 288 W

C
1-10V

71-0727-00-00 - 312 W

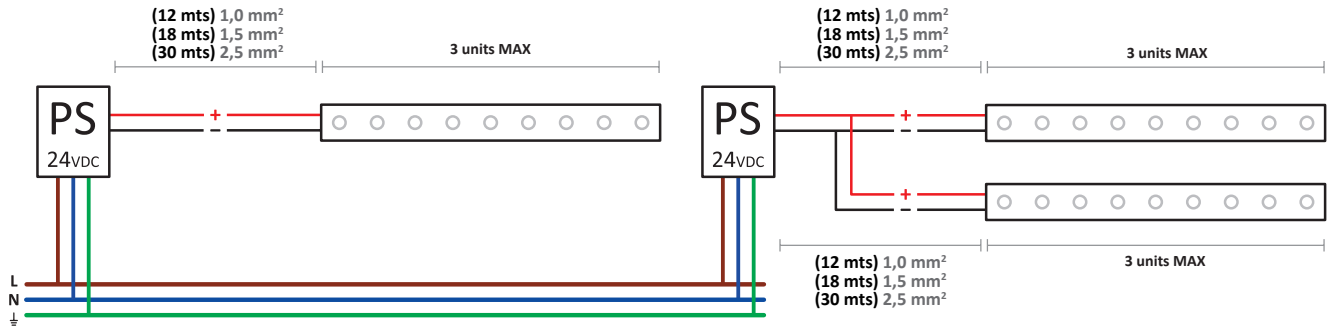
C
RGB

71-4662-00-00 - 432 W
 71-4663-00-00 - 432 W (IP65)
 71-4666-00-00 - REMOTE (OPTIONAL)

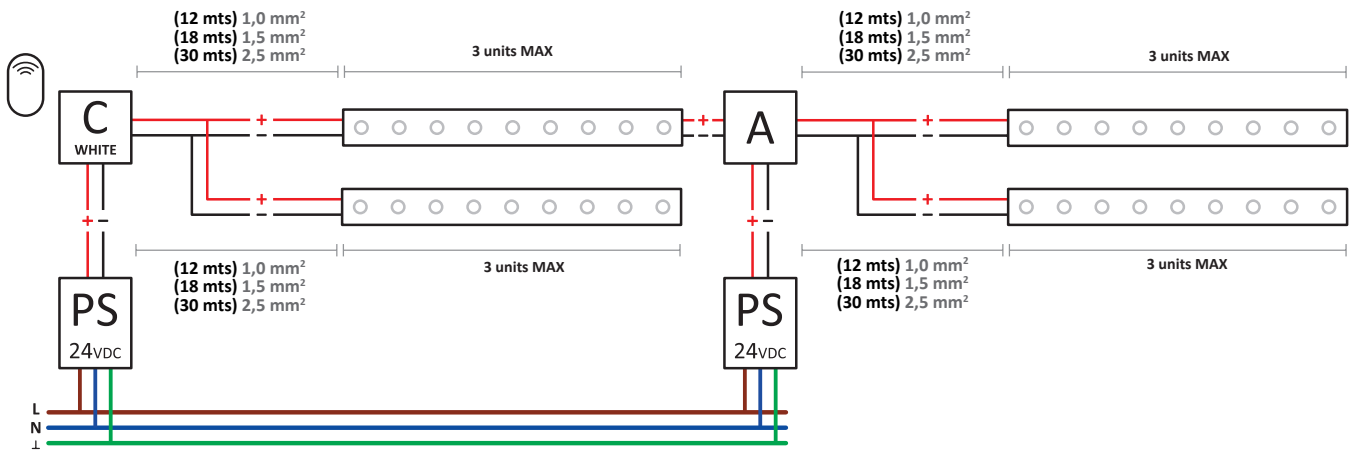
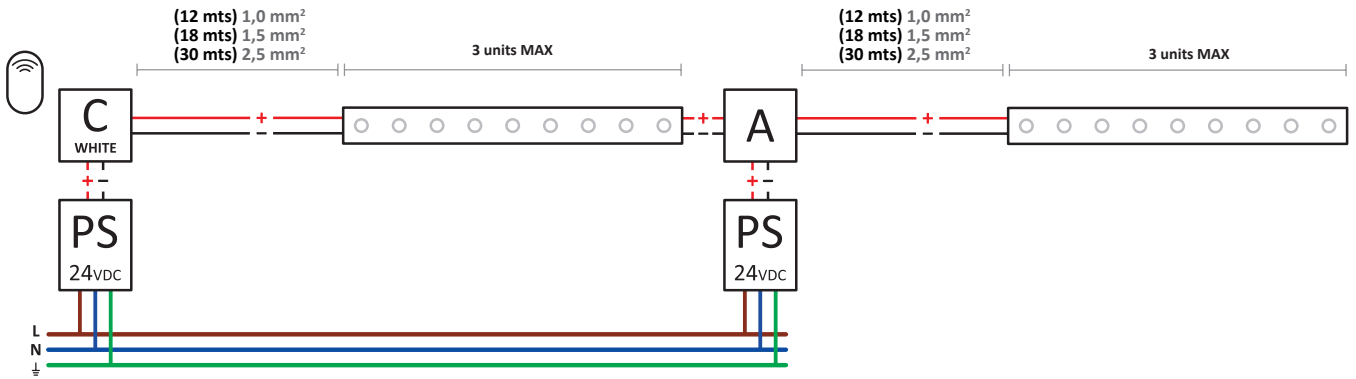
WHITE

05-3442-54-H6 / 05-4669-54-H6 (36W)

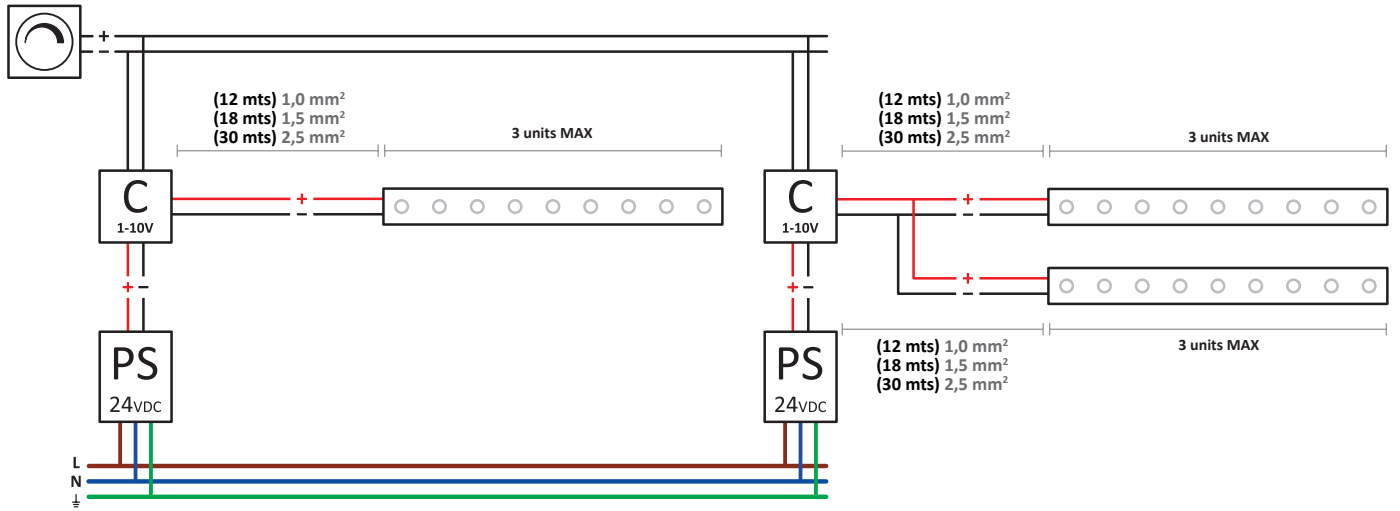
ON / OFF



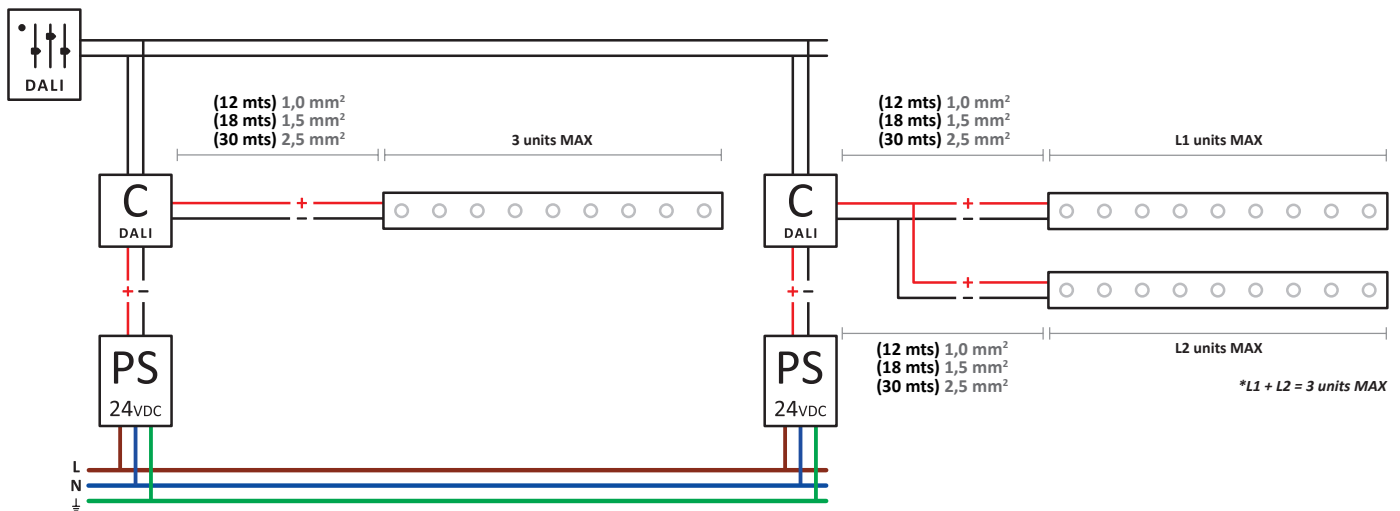
DIMMING WITH REMOTE CONTROL



1-10V



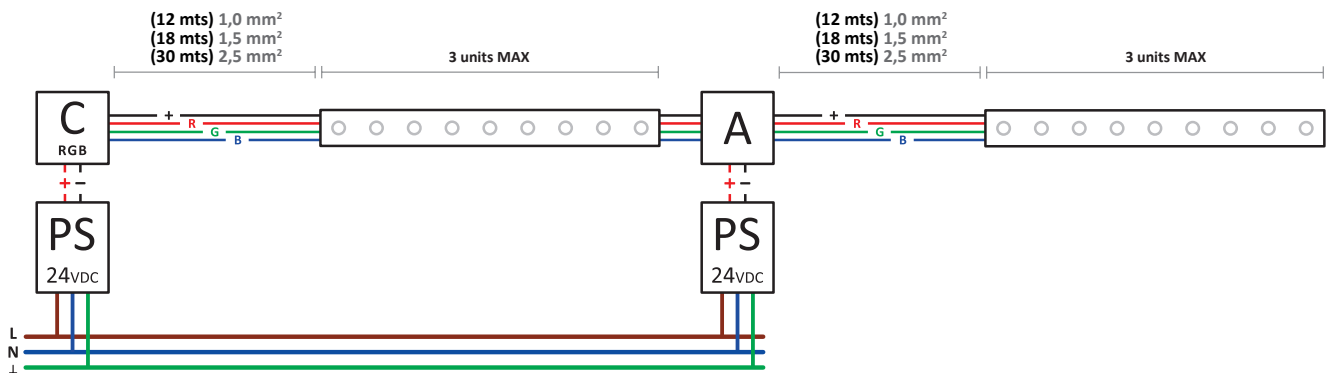
DALI

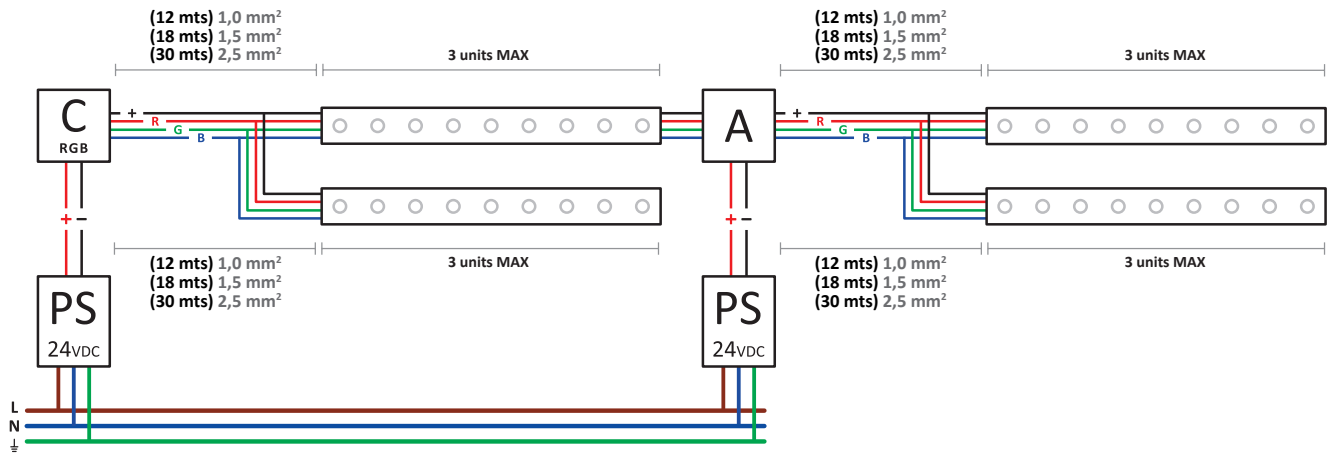


RGB

05-3443-54-H6 (36W)

RGB CONTROL WITH / WITHOUT REMOTE CONTROL





DMX

