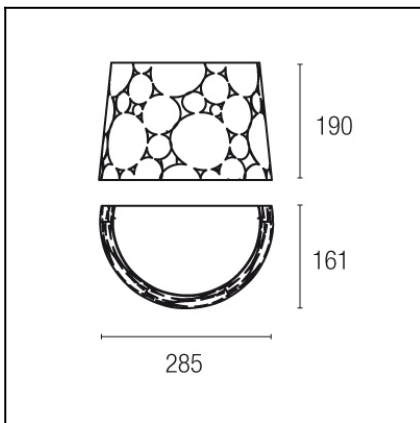


Design by Estudi Ribaudí



The photograph may not match the reference exactly. Please read the product description to identify the finish.



### TECHNICAL CHARACTERISTICS

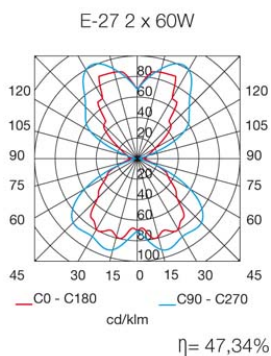
|                              |                  |
|------------------------------|------------------|
| Type:                        | Wall fixture     |
| IP Protection degrees:       | IP20             |
| Lampholder:                  | 2 x E27          |
| Power (W):                   | E27 MAX 60 W     |
| Total power consumption (W): | 120              |
| Voltage / Frequency:         | 220-240V/50-60Hz |
| Warranty (Years):            | 2                |
| Units per box:               | 1                |
| Net Weight (Kg):             | 1                |
| EAN:                         | 8435111073780,00 |



### MATERIALS / FINISHES

**Structure material:** Steel  
**Structure finish:** Matt white

**Diffuser material:** Acrylic  
**Diffuser finish:** White Opal



Download photometric file .ldt /.ies

|  |           |  |                  |   |            |
|--|-----------|--|------------------|---|------------|
| <b>Luminaria</b><br>Código 05-4343-05-05<br>Nombre Aplique 2x60W incandescent E27<br>Familia - LEDS-C4 |           | <b>Ensayo</b><br>Código 05-4343-05-05<br>Nombre Aplique 2x60W incandescent E27<br>Fecha 25-02-2010 |                  | <b>Lámpara</b><br>Código STANDARD S 60W E27<br>Número 2<br>Posición |            |
| Eficiencia   | 47.34%    | Sist. de Coorden.  | C-G              | Flujo Total   | 1280.00 lm |
| Valor Máximo   | 115.17 cd | Posición   | C=75.00 G=150.00 | Asimétrico  |            |

180mm x 280mm

Semiplanos C

180.0 ——— 0.0  
270.0 ——— 90.0

