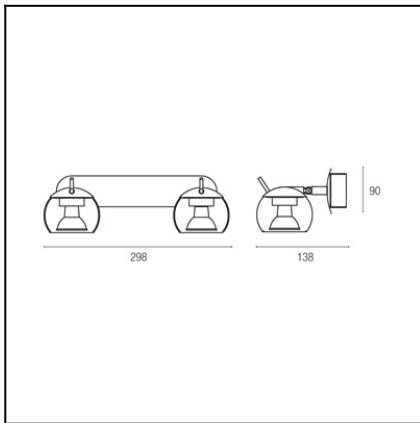


Design by Estudi Ribaudí

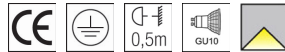


The photograph may not match the reference exactly. Please read the product description to identify the finish.



TECHNICAL CHARACTERISTICS

Type:	Wall fixture
IP Protection degrees:	IP20
Lampholder:	2 x GU10
Power (W):	GU10 MAX 50W
Total power consumption (W):	100
Voltage / Frequency:	220-240V/50-60Hz
Units per box:	12
Net Weight (Kg):	0.75
EAN:	8435111073827

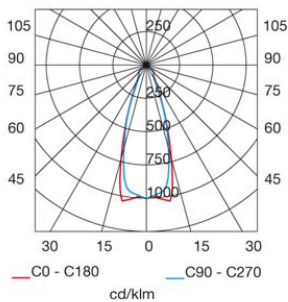


MATERIALS / FINISHES

Structure material: Steel
Structure finish: Chrome

Diffuser material: Glass
Diffuser finish: Transparent

Nok collection

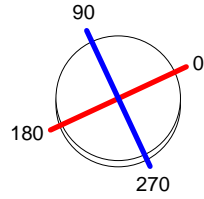


[Download photometric file .ldt /.ies](#)

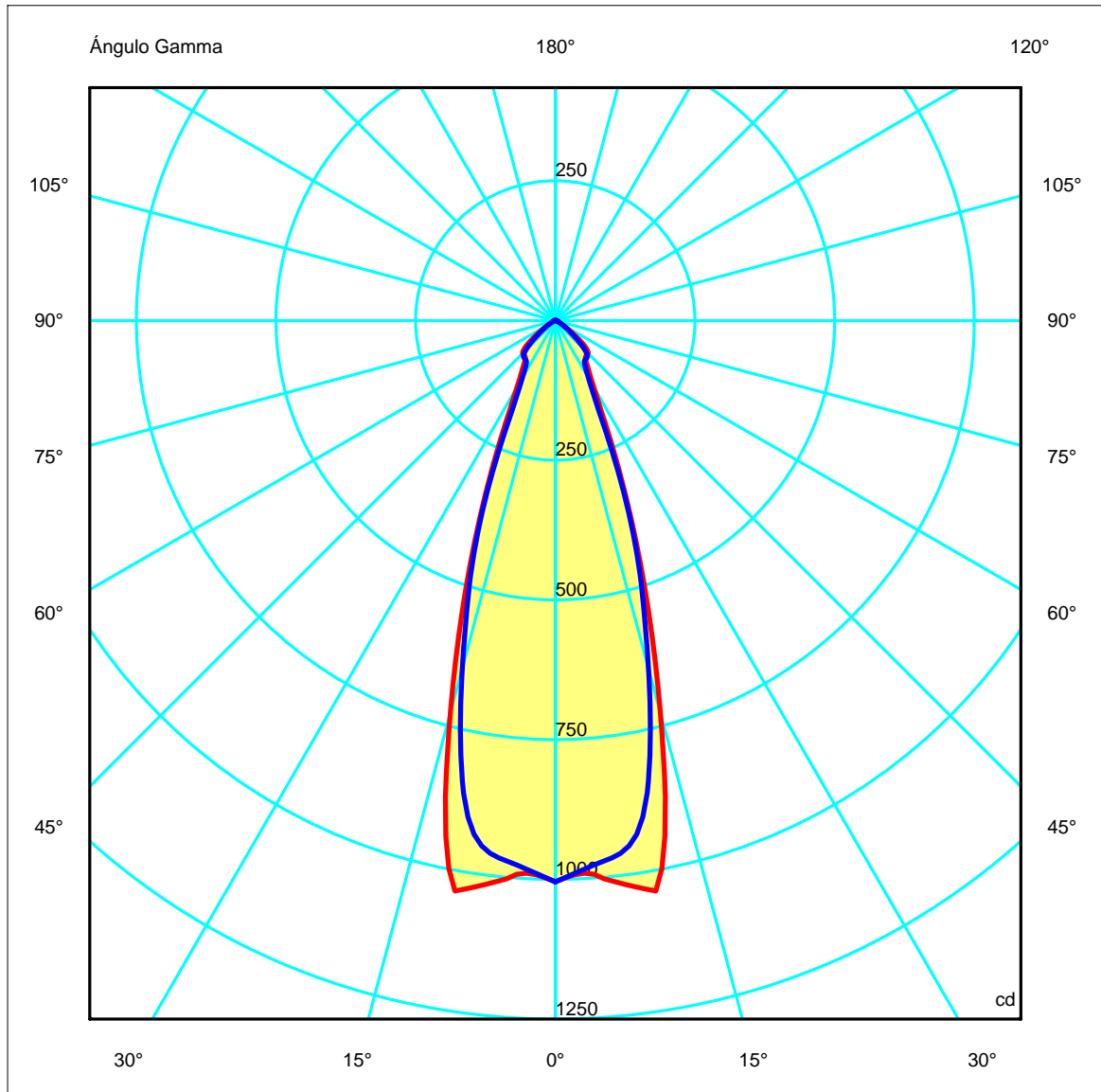
Luminaria		Ensayo		Lámpara	
Código	05-4351-21-37	Código	05-4351-21-37	Código	64824FL
Nombre	Aplicque NOK 50W GU10	Nombre	Aplicque NOK 50W GU10	Número	1
Familia	- LEDS-C4	Fecha	22-03-2010	Posición	Universal
Eficiencia	99.12%	Sist. de Coorden.	C-G	Flujo Total	536.00 lm
Valor Máximo	1036.44 cd	Posición	C=0.00 G=10.00	Bisimétrico	

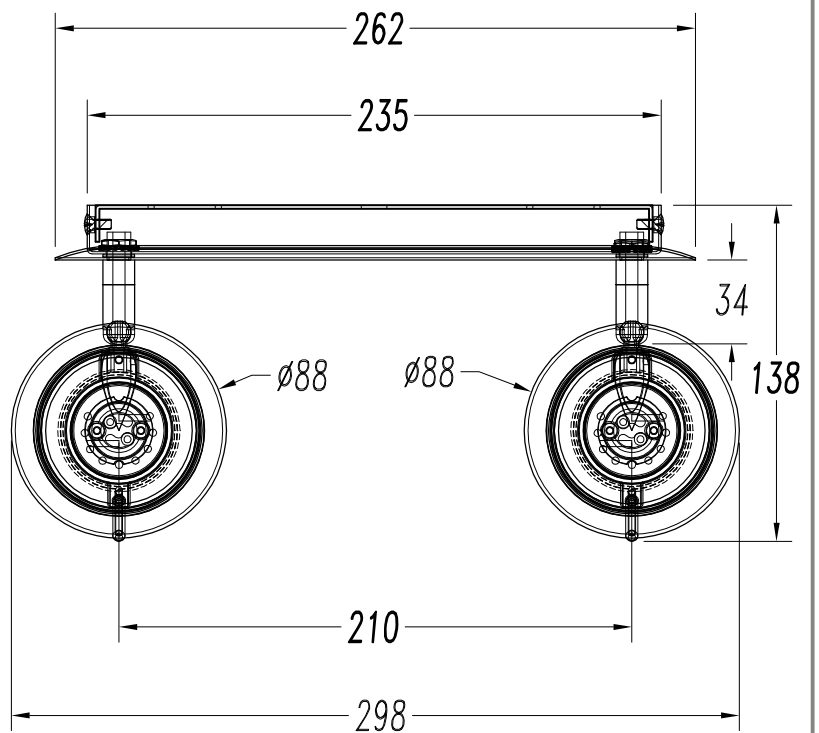
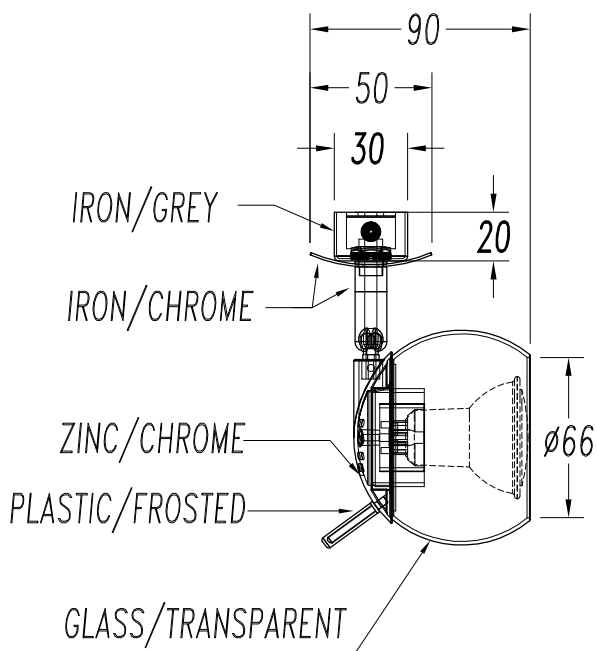
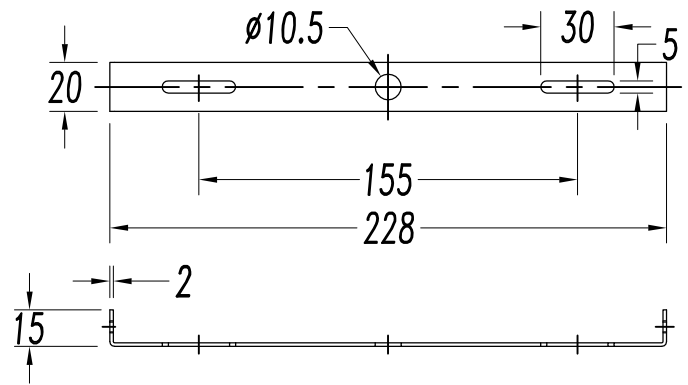
Diam=88mm

Semiplanos C

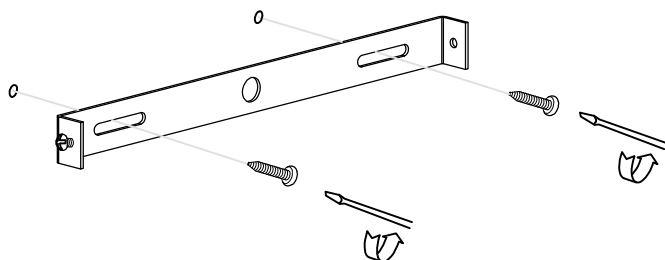
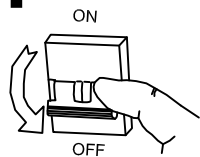


180.0 ————— 0.0
 270.0 ————— 90.0

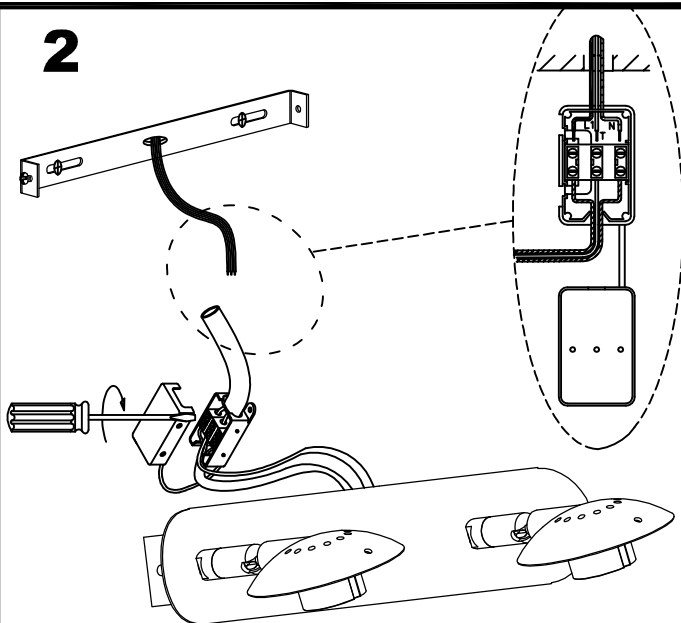




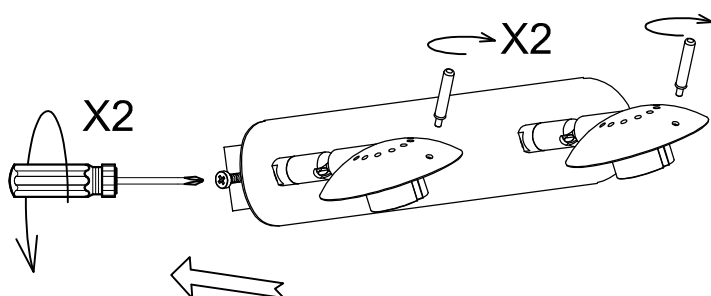
1



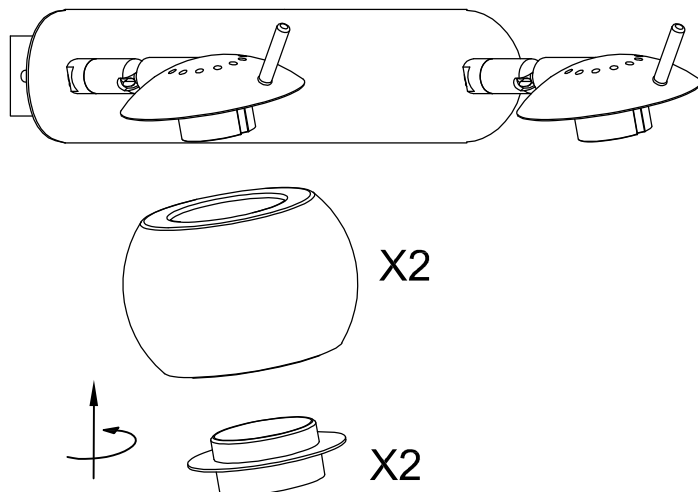
2



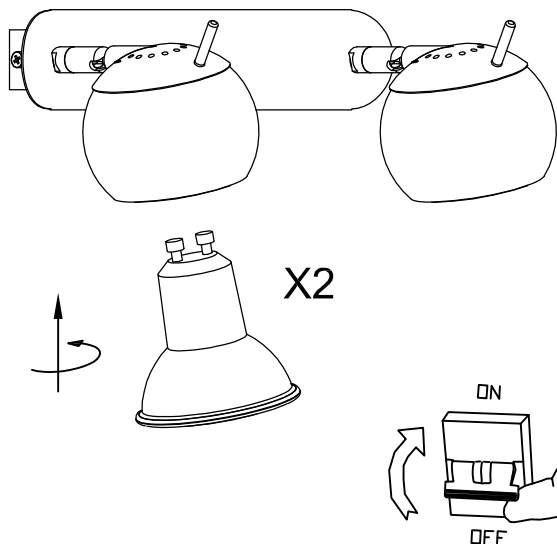
3



4



5



6

