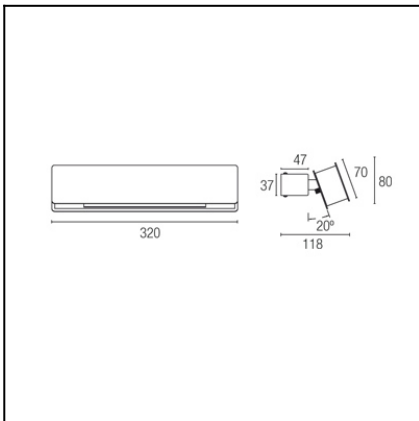


Design by Francesc Vilaró


The photograph may not match the reference exactly. Please read the product description to identify the finish.


TECHNICAL CHARACTERISTICS

Type:	Wall fixture
IP Protection degrees:	IP44
Lampholder:	1 x 2G11
Power (W):	2G11 18W
Voltage / Frequency:	220-240V/50-60Hz
Units per box:	6
Net Weight (Kg):	1.535
EAN:	8435111080498


MATERIALS / FINISHES
Structure material: Steel

Diffuser material: Acrylic

Structure finish: Chrome
Black

Diffuser finish: White

GEAR

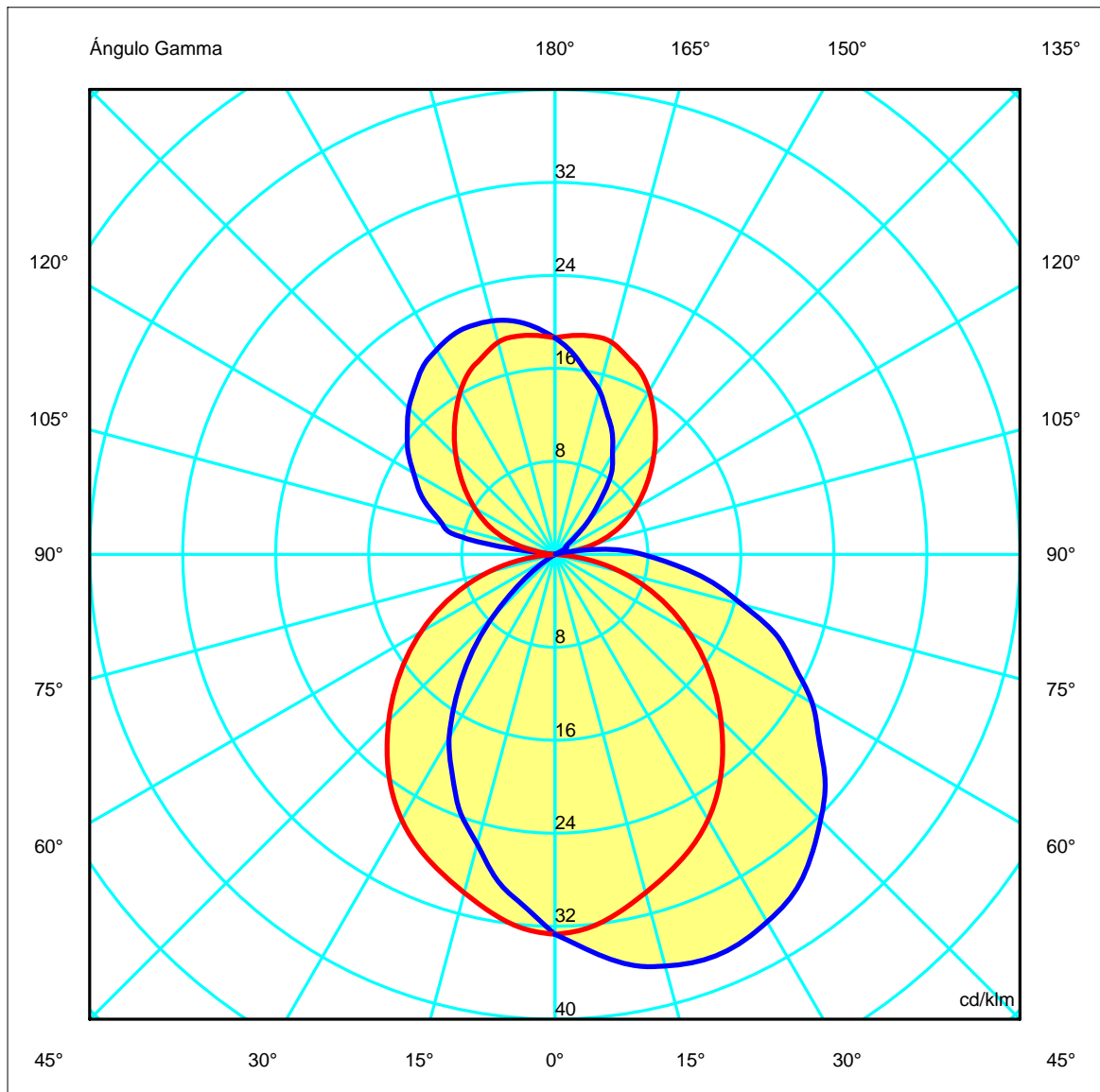
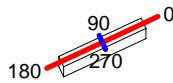
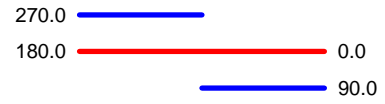
Gear included: Yes, electronic

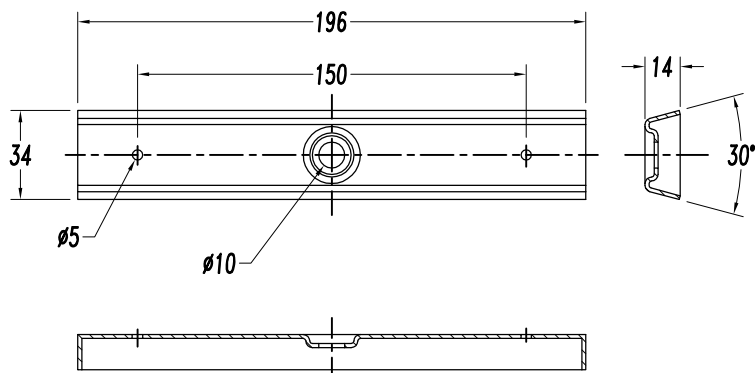
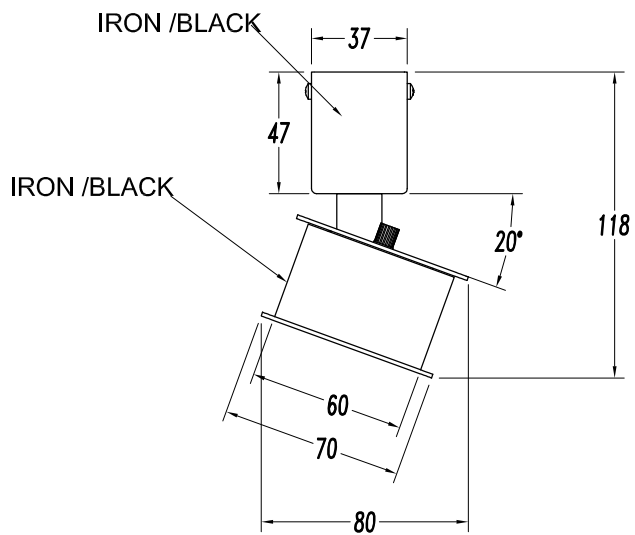
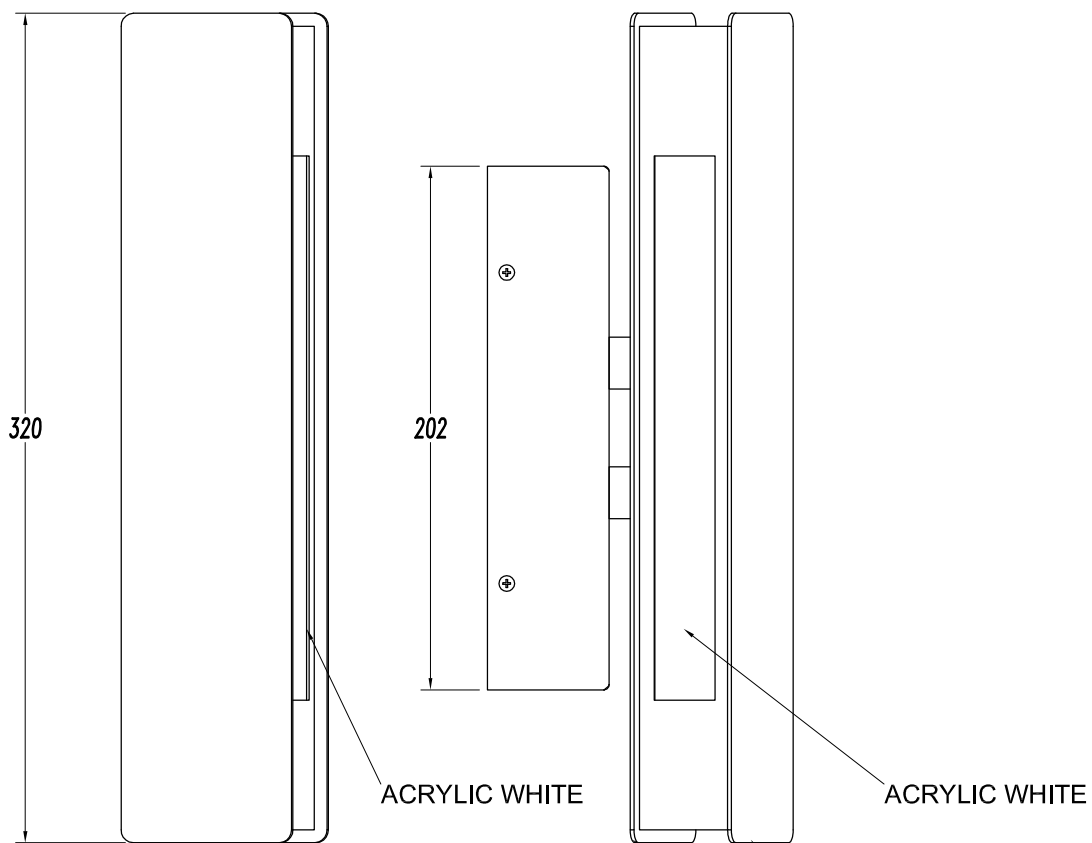
[Download photometric file .ldt / .ies](#)

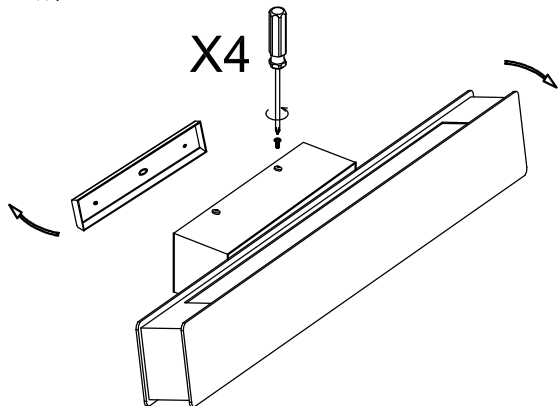
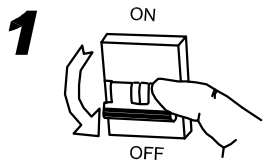
Luminaria		Ensayo		Lámpara	
Código	05-4361-21-05	Código	05-4361-21-05	Código	PL-L18W/840/4P
Nombre	Aplicque 1x18W 2G11 opal	Nombre	Aplicque 1x18W 2G11 opal	Número	1
Familia	- LEDS-C4	Fecha	10-11-2010	Posición	Universal
Eficiencia	14.71%	Sist. de Coorden.	C-G	Flujo Total	1200.00 lm
Valor Máximo	37.16 cd/klm	Posición	C=90.00 G=20.00	Sim. en los planos	270-90

40mm x 320mm

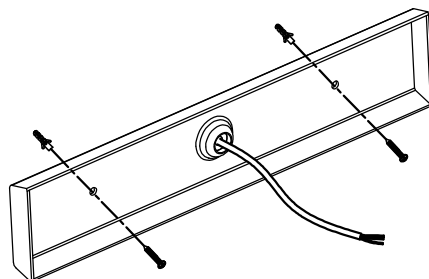
Semiplanos C



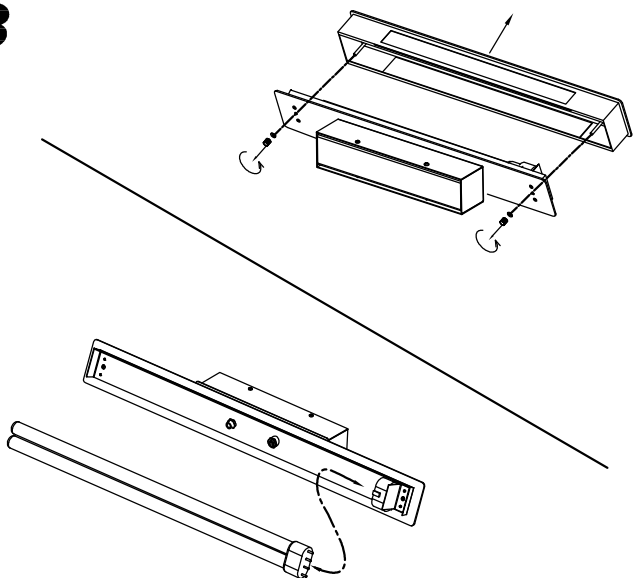




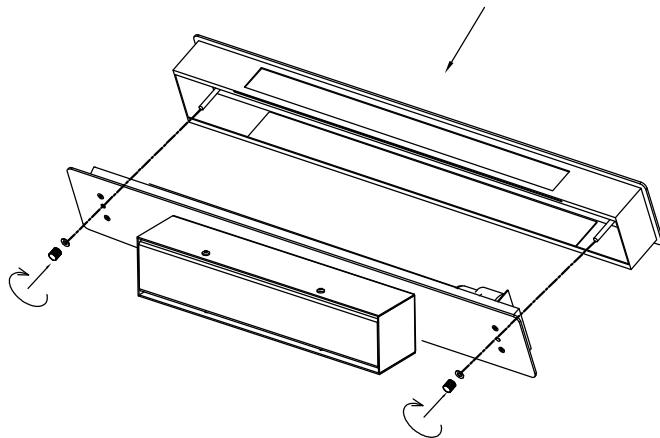
2



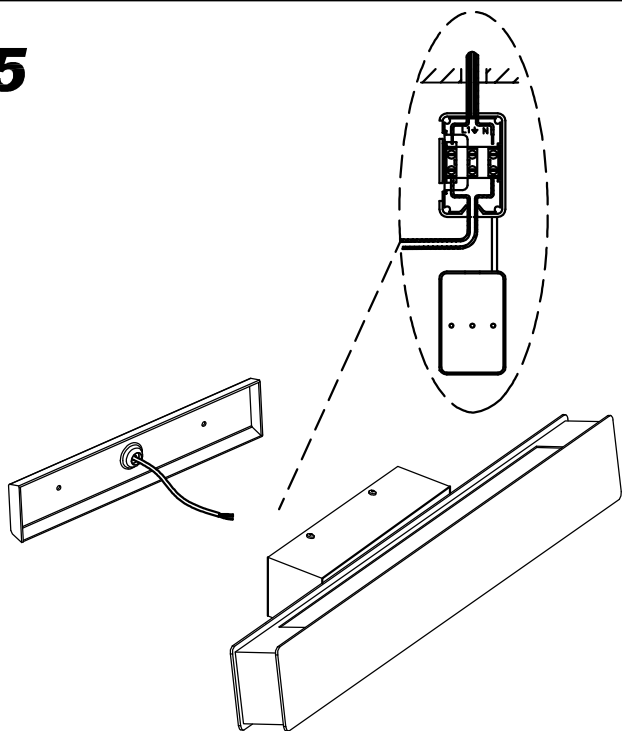
3



4



5



6

