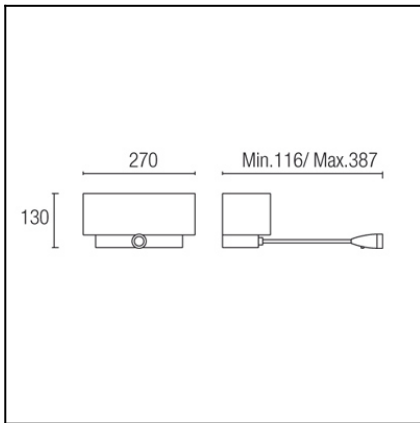
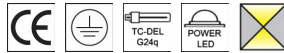


**Design by Benedito Design**


The photograph may not match the reference exactly. Please read the product description to identify the finish.


**TECHNICAL CHARACTERISTICS**

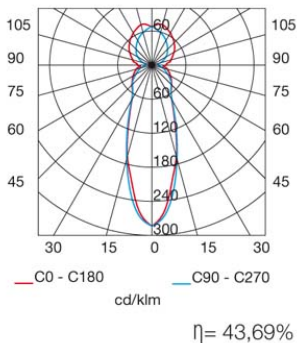
Type:	Wall fixture
Adjustable 360° on the vertical axis.	
IP Protection degrees:	IP20
Lampholder:	1 x GX24q3 1 x LED Cree. Warm White - 3000K
Power (W):	GX24q3 18W 2.4W
Total power consumption (W):	19
Voltage / Frequency:	220-240V/50-60Hz
Possibilitat extensió garantia:	Sí, 5 anys
Units per box:	12
Net Weight (Kg):	1.02
EAN:	8435111080139


**MATERIALS / FINISHES**

<b>Structure material:</b>	Steel Aluminium	<b>Diffuser material:</b>	Fabric shade Acrylic
<b>Structure finish:</b>	White Satin nickel	<b>Diffuser finish:</b>	Beige Matt

**GEAR**

Gear included: Yes, electronic



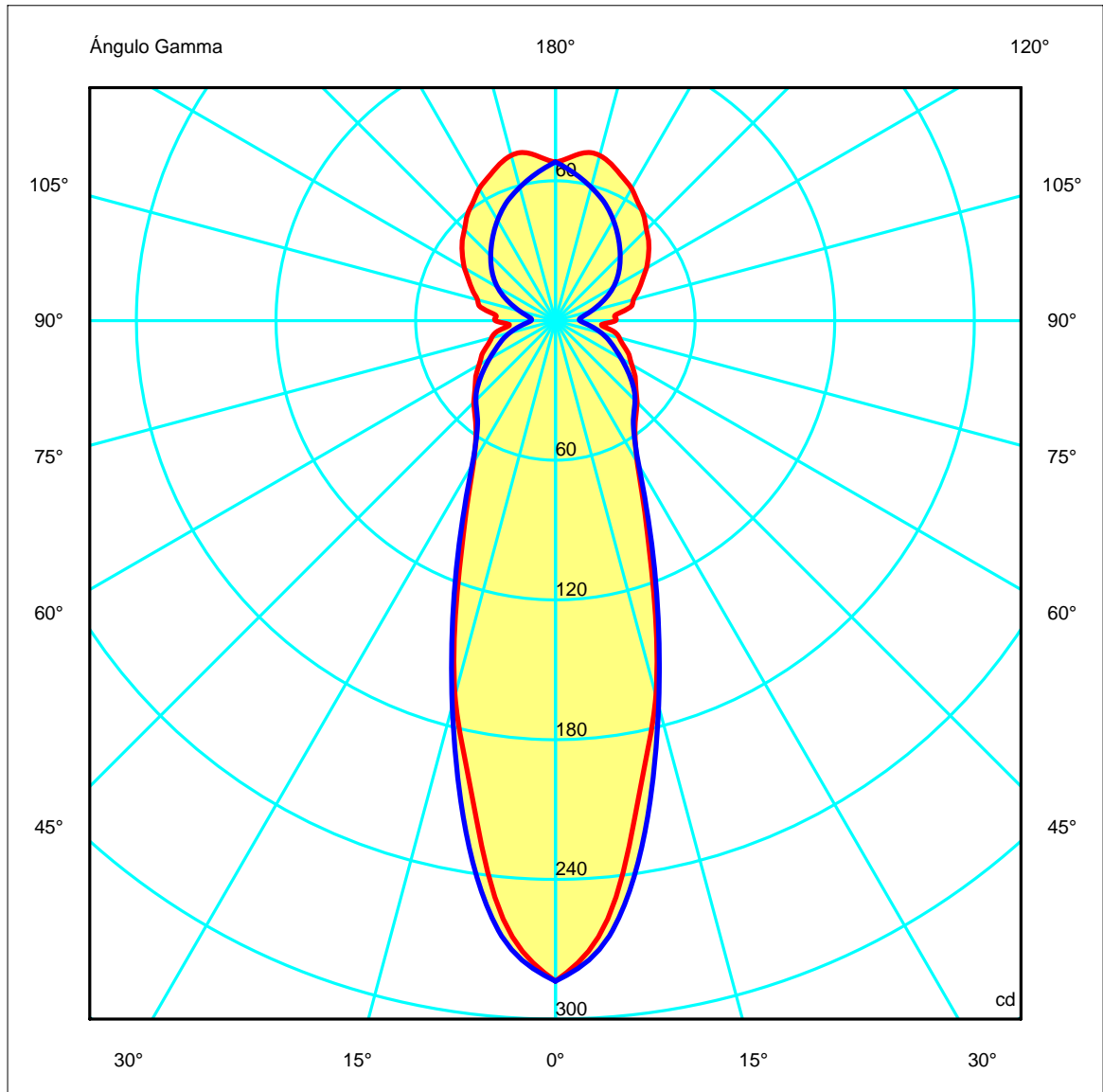
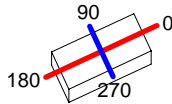
Download photometric file .ldt / .ies

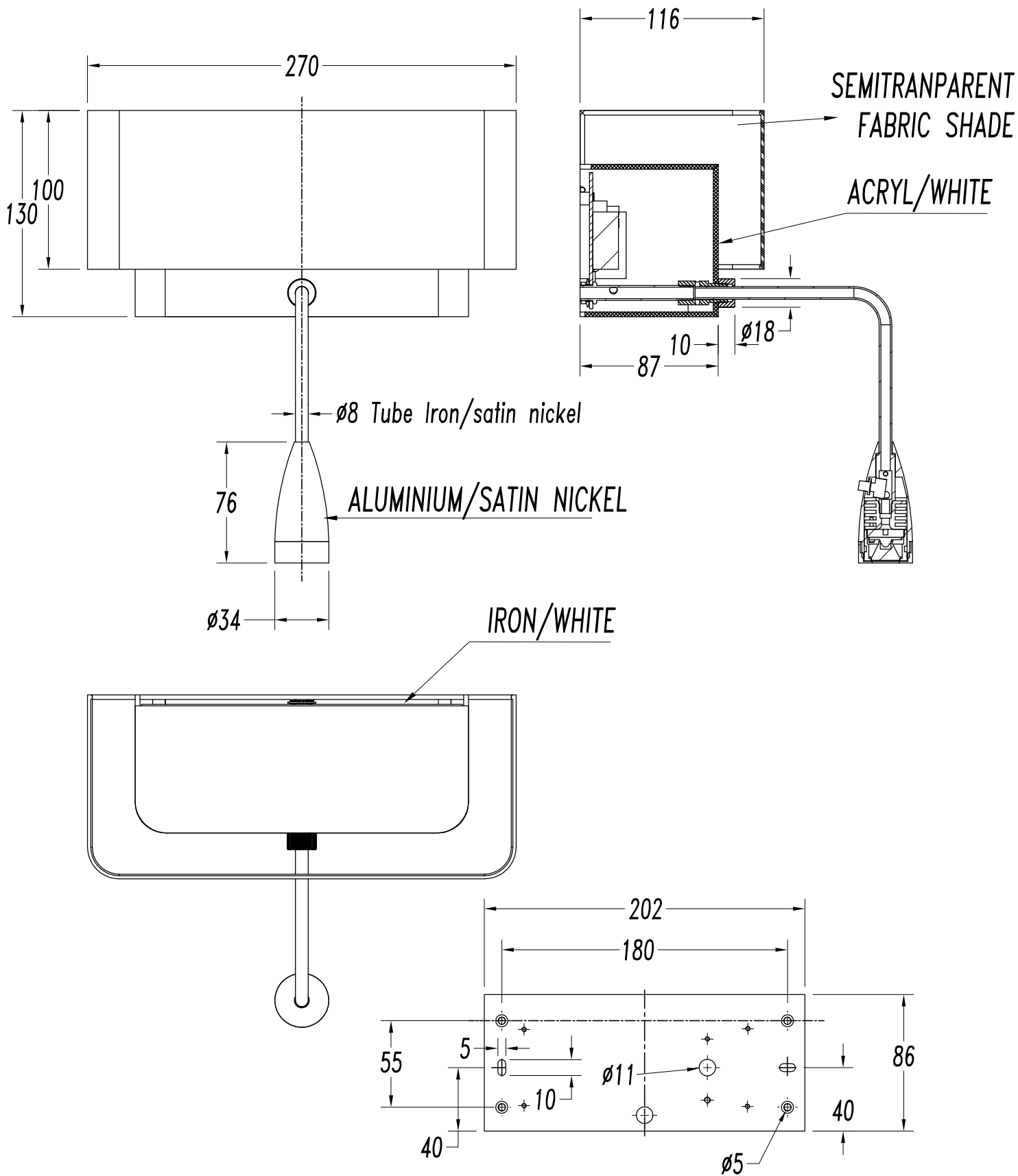
<b>Luminaria</b>		<b>Ensayo</b>		<b>Lámpara</b>	
Código	05-4363-81-M1	Código	05-4363-81-M1	Código	PL-C18W/840/4P
Nombre	Aplicado 18W G24q-2 led opal	Nombre	Aplicado 18W G24q-2 + led opal	Número	2
Familia	- LEDS-C4	Fecha	10-09-2010	Posición	Universal
Eficiencia	43.69%	Sist. de Coorden.	C-G	Flujo Total	1292.40 lm
Valor Máximo	283.69 cd	Posición	C=0.00 G=0.00	Bisimétrico	

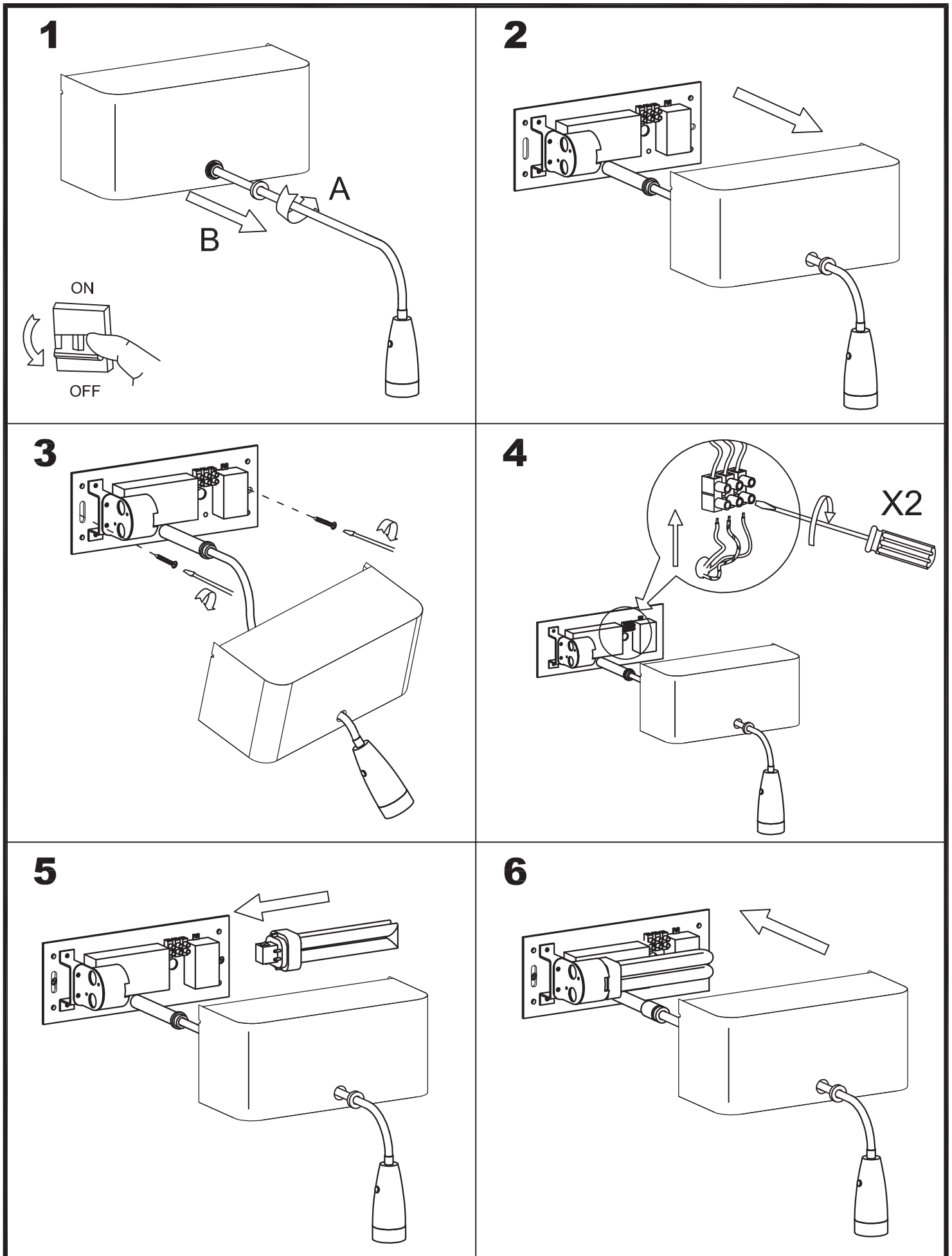
120mm x 265mm

Semiplanos C

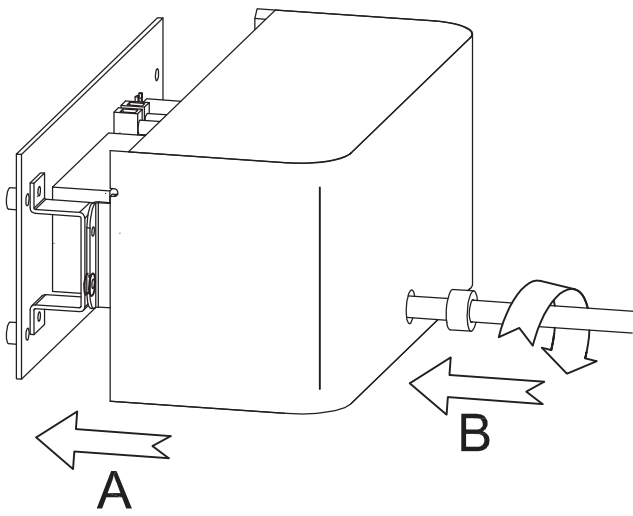
180.0 ————— 0.0  
 270.0 ————— 90.0



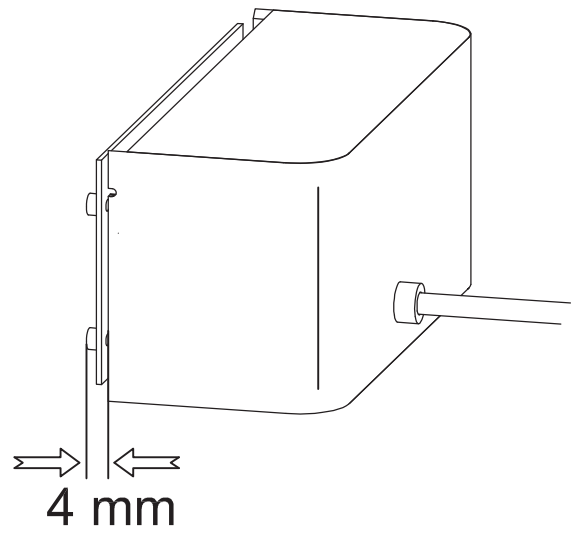




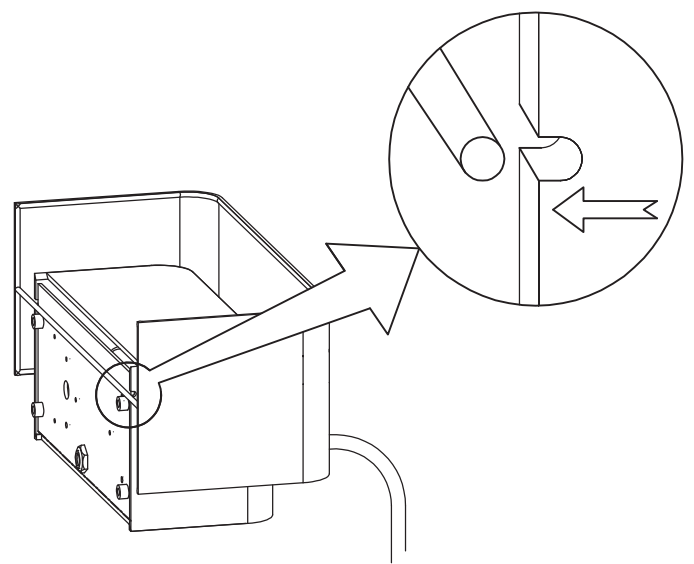
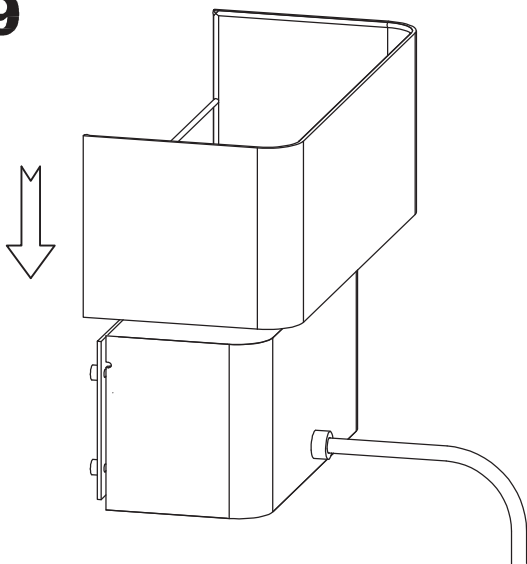
**7**



**8**



**9**



**10**

