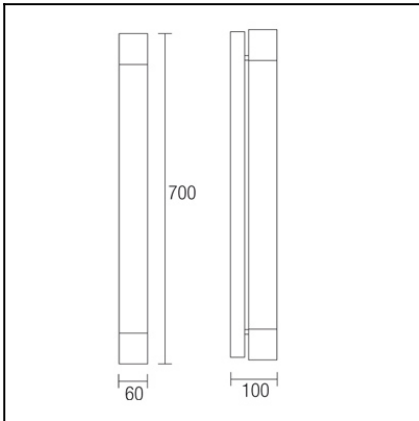


The photograph may not match the reference exactly. Please read the product description to identify the finish.



TECHNICAL CHARACTERISTICS

Type:	Wall fixture
IP Protection degrees:	IP44
Lampholder:	1 x 2G11
Power (W):	2G11 40W
Bulb included:	1 x 2G11 40W
Total power consumption (W):	42.7
Voltage / Frequency:	220-240V/50Hz
Units per box:	6
Net Weight (Kg):	1.815
EAN:	8435111081037



MATERIALS / FINISHES

Structure material: Steel
Structure finish: Chrome

Diffuser material: Polycarbonate
Diffuser finish: Opal

GEAR

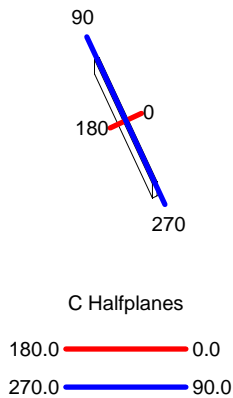
Gear included: Yes, electronic

[Download photometric file .ldt /.ies](#)

Luminaire		Measur.		Lamp		
Code	05-4387-21-M1	Code	05-4385-21-M1	Code	PL-L40W/830/4P	
Name	Aplique DRESDE 1x40W PL-L 2G11	Name	Aplique 1x18W 2G11	Number	1	
Line	- LEDS-C4	Date	28-08-2013	Position	Univesal	
Efficiency	54.67%	Coordinate system	CG	Total Flux	3500.00 lm	
Maximum value	303.07 cd	Position	C=0.00 G=45.00	Double Symmetrical		
Rectangular Luminaire	Length	700 mm	Width	26 mm	Height	100 mm
Rectangular Luminous Area	Length	580 mm	Width	60 mm	Height	60 mm
Horizontal Luminous Area	0.034800 m2	Emitting area on Plane 180°		0.034800 m2		
Emitting area on Plane 0°	0.034800 m2	Emitting area on Plane 270°		0.003600 m2		
Emitting area on Plane 90°	0.003600 m2	Glare area at 76°		0.042185 m2		
Symmetry Type	Double Symmetrical	Maximum Gamma Angle	180			
Measurement Distance	6.44	Measurement Flux	1200.00 lm			
Operator	Asselum	Source voltage	230.00 V			
Temperature	22.00 °C	Source current	PRC			
Humidity	50.00 %	Photocell				
Notes						

Luminaire Lamps					
Line	Code	Name	Flux [lm]	Pow. [W]	Q.ty
PHILIPS 2005 ILCOS FBT,G,C,FSQ	PL-L40W/830/4P	MASTER PL-L 40W/830/4P 2G11	3500.00	40.00	1
C.I.E.	30 58 81 69 55	D DIN 5040	B11		
F UTE	0.38 H + 0.17 T	B NBN	BZ 7		

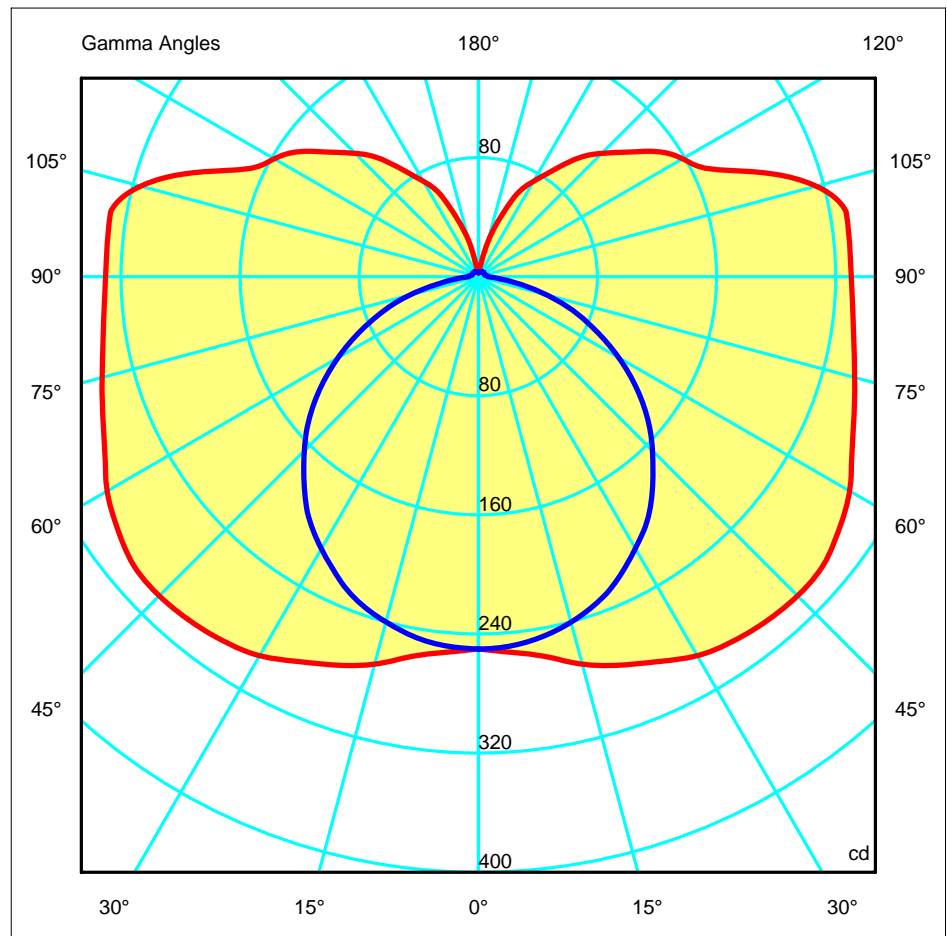
700mm x 26mm

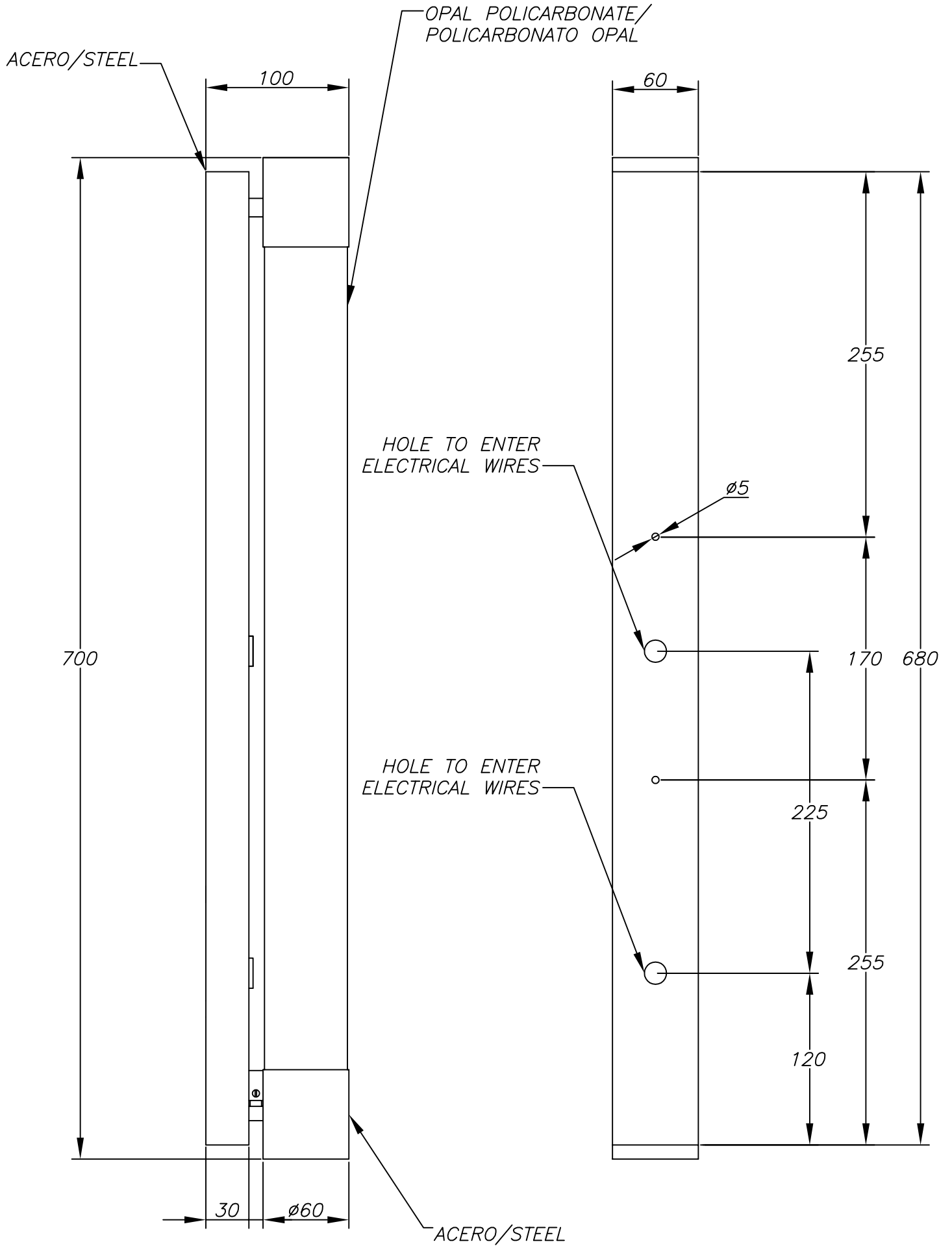


ULOR 16.93 %

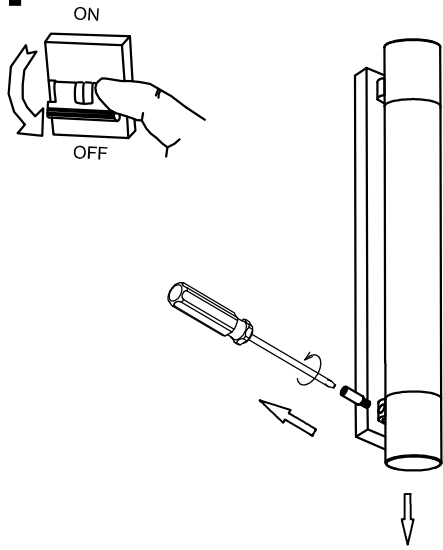
DLOR 37.73 %

RN 30.98 %

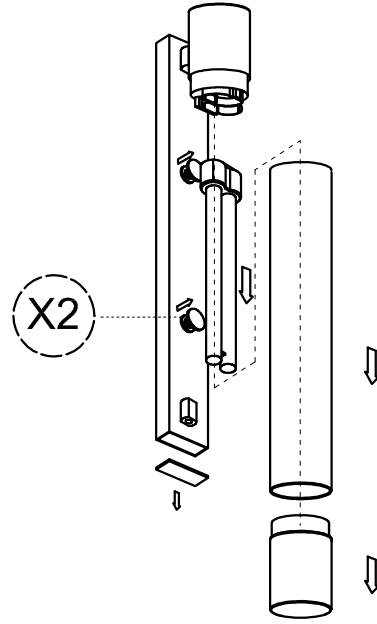




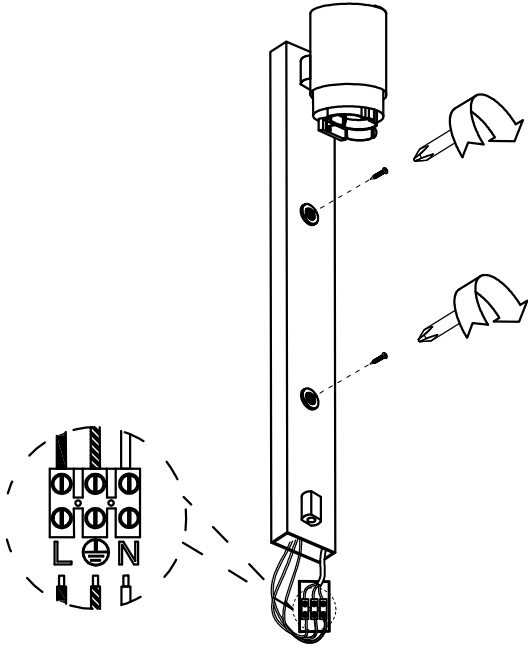
1



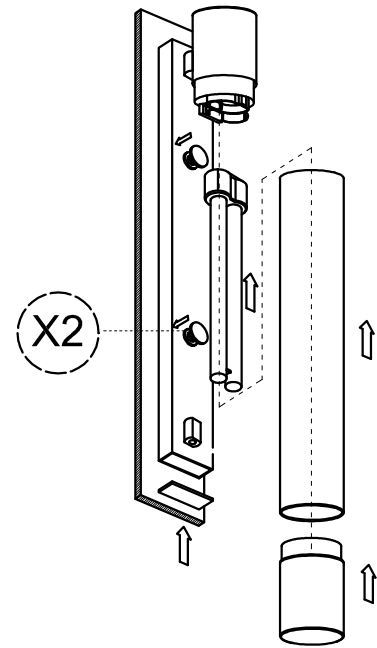
2



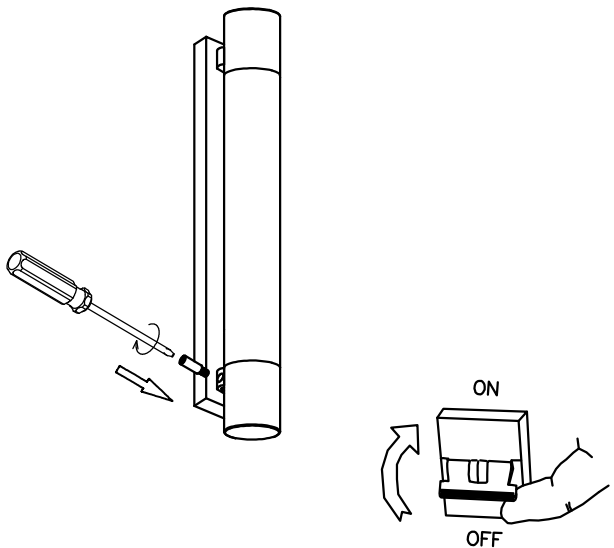
3



4



5



6

